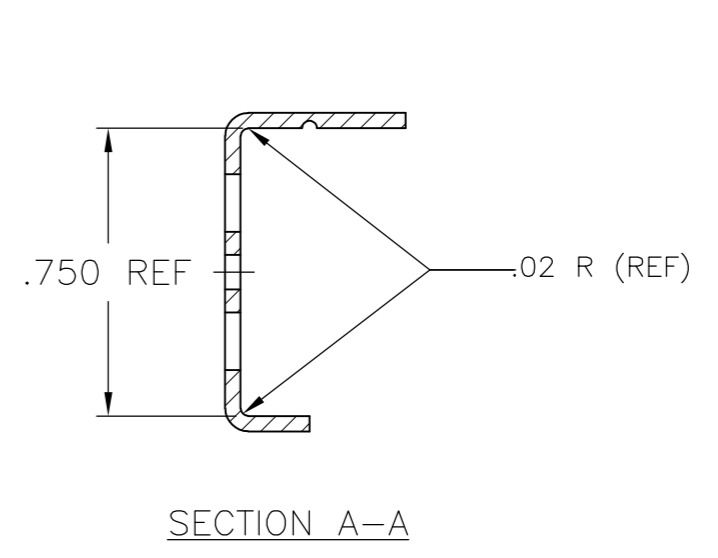
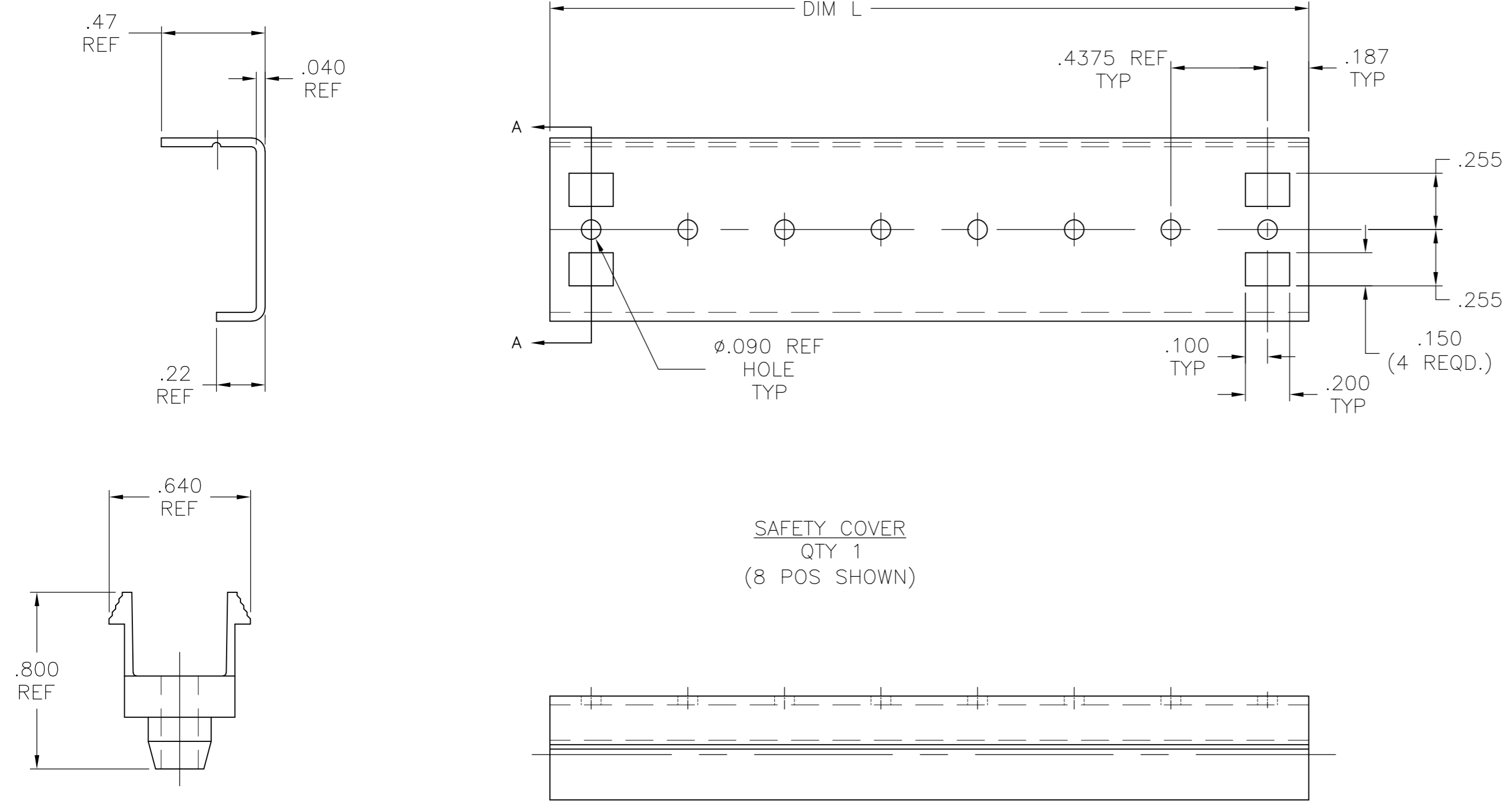


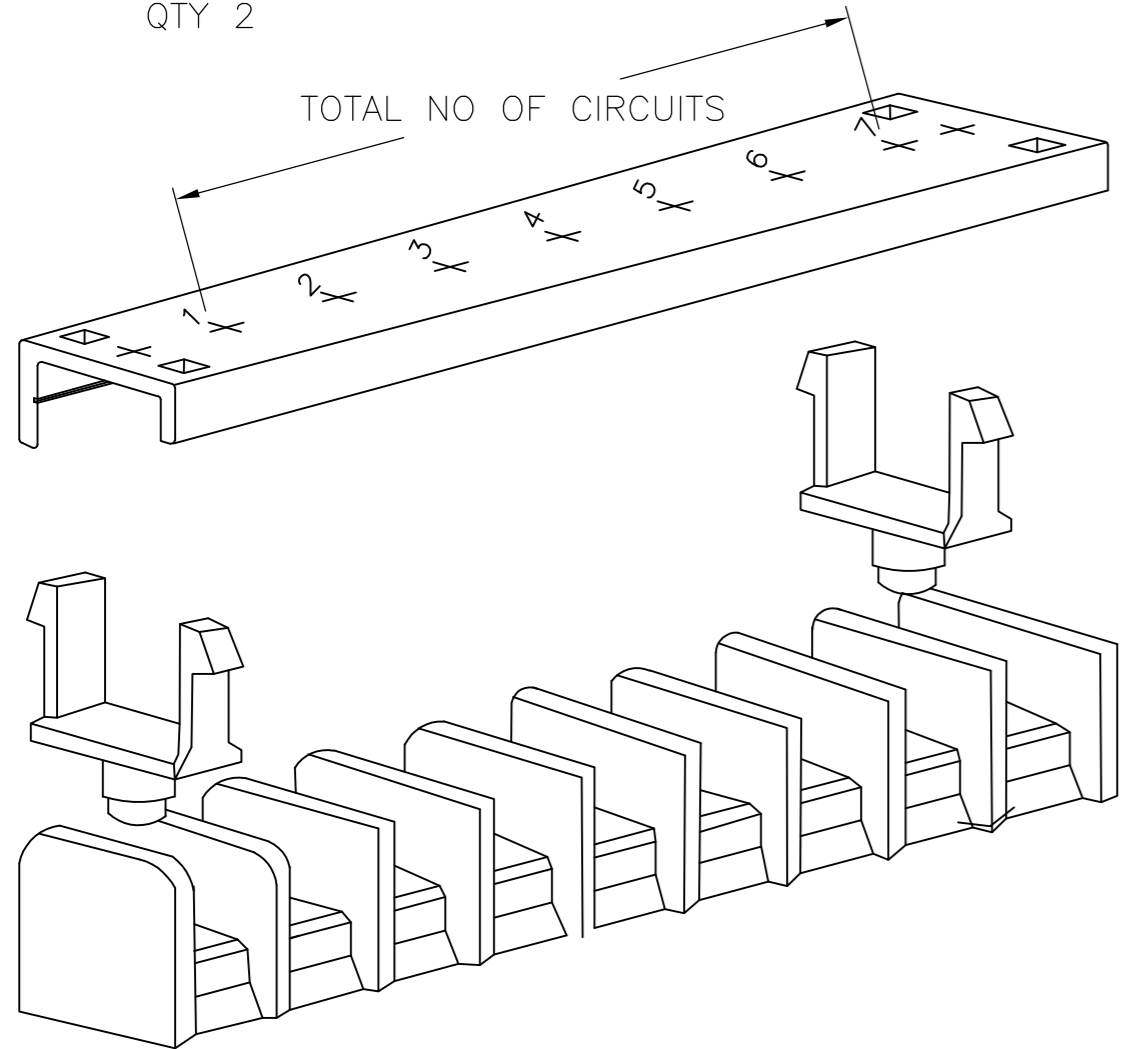
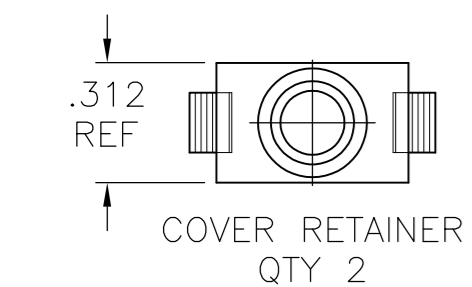
THIS DRAWING IS UNPUBLISHED. RELEASED FOR PUBLICATION
 © COPYRIGHT - By - ALL RIGHTS RESERVED.

| LOC | | DIST | | REVISIONS | | | |
|-----|-----|-------------|---------------------------|-----------|------|----|--|
| P | LTR | DESCRIPTION | DATE | DWN | APVD | | |
| FT | 0 | | | | | | |
| | | R | REVISED PER ECO-15-007842 | 23JUN2015 | NG | PS | |



1 OBSOLETE

SAFETY COVER
 QTY 1
 (8 POS SHOWN)



7 = .4375 C/L SPACING
 C COVER MATERIAL YELLOW PVC
 1 CLOSED BACK
 * N=NO MARKING
 * F=FORWARD SEQUENCE

| | | | | | |
|-----------|--------|----|----|--------|-------------|
| 1986778-2 | 11.312 | 26 | 24 | 7C1N24 | 2-1776436-4 |
| 1986778-2 | 10.875 | 25 | 23 | 7C1N23 | 2-1776436-3 |
| 1986778-2 | 10.437 | 24 | 22 | 7C1N22 | 2-1776436-2 |
| 1986778-2 | 10 | 23 | 21 | 7C1N21 | 2-1776436-1 |
| 1986778-2 | 9.563 | 22 | 20 | 7C1N20 | 2-1776436-0 |
| 1986778-2 | 8.687 | 20 | 18 | 7C1N18 | 1-1776436-8 |
| 1986778-2 | 8.25 | 19 | 17 | 7C1N17 | 1-1776436-7 |
| 1986778-2 | 7.375 | 17 | 15 | 7C1N15 | 1-1776436-5 |
| 1986778-2 | 6.937 | 16 | 14 | 7C1N14 | 1-1776436-4 |
| 1986778-2 | 5.625 | 13 | 11 | 7C1N11 | 1-1776436-1 |
| 1986778-2 | 9.125 | 21 | 19 | 7C1N19 | 5-1437418-0 |
| 1986778-2 | 7.812 | 18 | 16 | 7C1N16 | 4-1437418-9 |
| 1986778-2 | 6.062 | 14 | 12 | 7C1N12 | 4-1437418-8 |
| 1986778-2 | 5.187 | 12 | 10 | 7C1N10 | 4-1437418-7 |
| 1986778-2 | 4.75 | 11 | 9 | 7C1N09 | 4-1437418-6 |
| 1986778-2 | 4.312 | 10 | 8 | 7C1N08 | 4-1437418-5 |
| 1986778-2 | 3.875 | 9 | 7 | 7C1N07 | 4-1437418-4 |
| 1986778-2 | 3.437 | 8 | 6 | 7C1N06 | 4-1437418-3 |
| 1986778-2 | 3.000 | 7 | 5 | 7C1N05 | 4-1437418-2 |
| 1986778-2 | 2.562 | 6 | 4 | 7C1N04 | 4-1437418-1 |
| 1986778-2 | 2.125 | 5 | 3 | 7C1N03 | 4-1437418-0 |
| 1986778-2 | 1.687 | 4 | 2 | 7C1N02 | 3-1437418-9 |
| 1986778-2 | 6.5 | 15 | 13 | 7C1F13 | 3-1437418-7 |

| COVER RETAINER QTY=2 | DIM L ± 0.040 | TOTAL NUMBER OF HOLES | TOTAL NUMBER OF CIRCUITS | CATALOG NUMBER | PART NUMBER |
|----------------------|---------------|-----------------------|--------------------------|----------------|-------------|
|----------------------|---------------|-----------------------|--------------------------|----------------|-------------|

THIS DRAWING IS A CONTROLLED DOCUMENT.

| | | | |
|--------------------|--|------------------------|---|
| DIMENSIONS: INCHES | TOLERANCES UNLESS OTHERWISE SPECIFIED: | DWN S SCHLEGEL 9/29/06 | TE Connectivity |
| | 0 PLC ± - | CHK S YODER 9/29/06 | |
| | 1 PLC ± - | APVD S YODER 9/29/06 | |
| | 2 PLC ± .01 | PRODUCT SPEC | |
| MATERIAL | FINISH | APVD S YODER 9/29/06 | NAME |
| | | APPLICATION SPEC | SAFETY COVER KITS FOR SSB .4375 CENTERS |
| | | WEIGHT | SIZE CAGE CODE DRAWING NO RESTRICTED TO |
| | | CUSTOMER DRAWING | A2 00779 C=1437412-5 |
| | | | SCALE 2:1 SHEET 1 of 1 REV R |

Mouser Electronics

Authorized Distributor

Click to View Pricing, Inventory, Delivery & Lifecycle Information:

[TE Connectivity:](#)

[7C1N10](#)