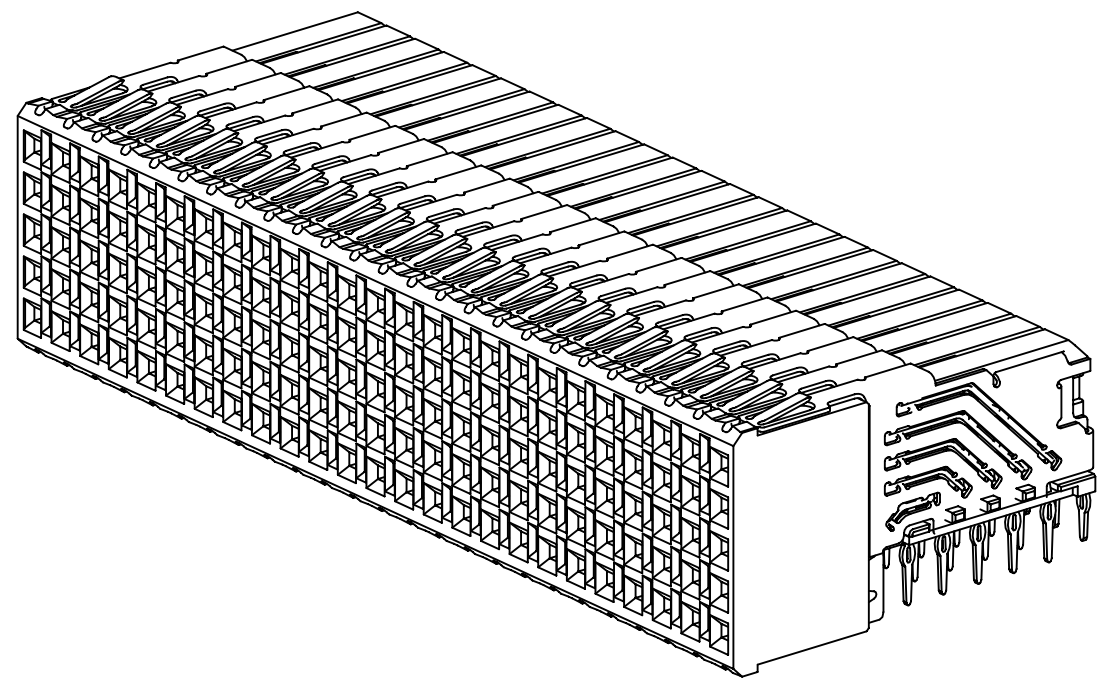
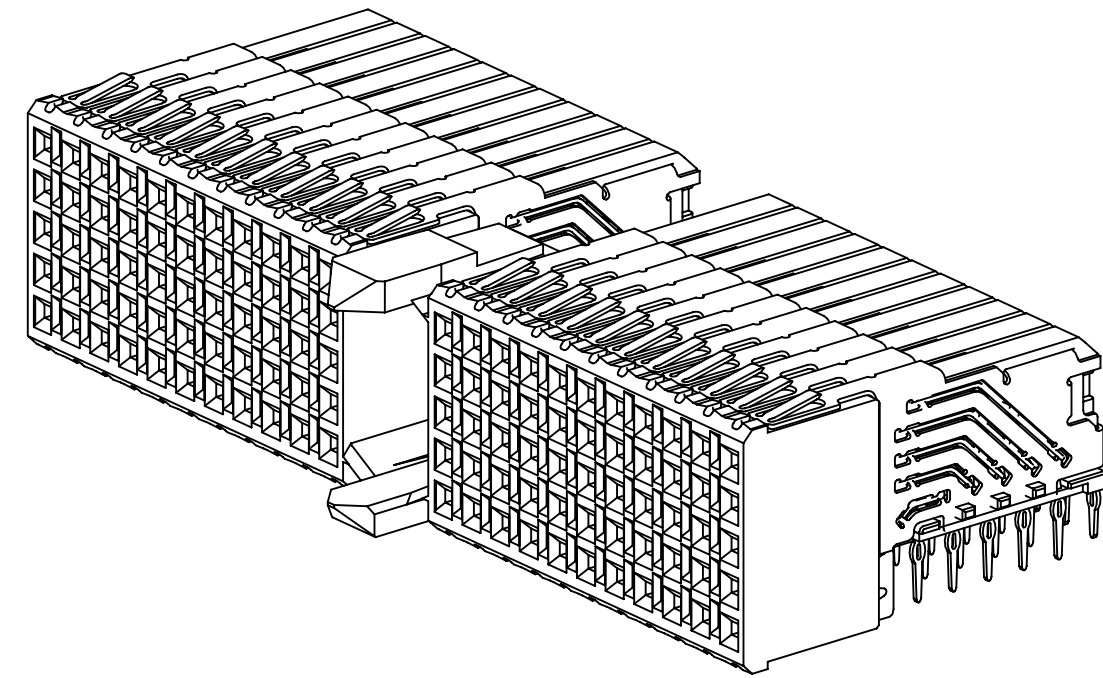


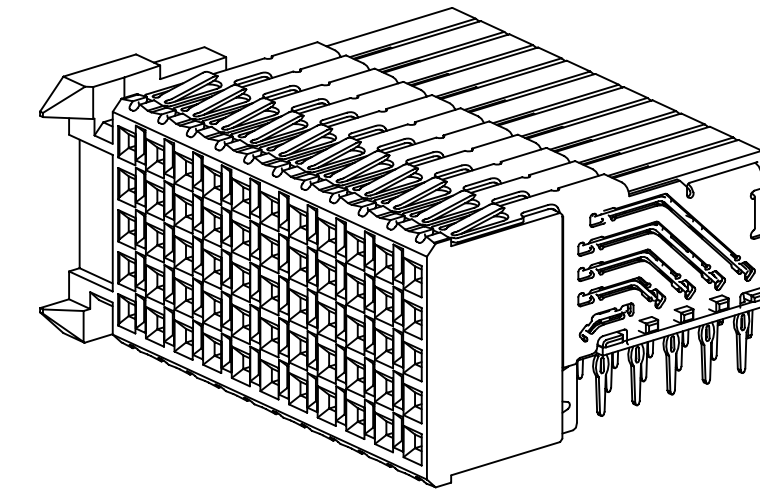
3M™ ULTRA HARD METRIC (UHM) PRESS-FIT SOCKET CONNECTORS, 5-ROW
 FOR 2MM HARD METRIC APPLICATIONS



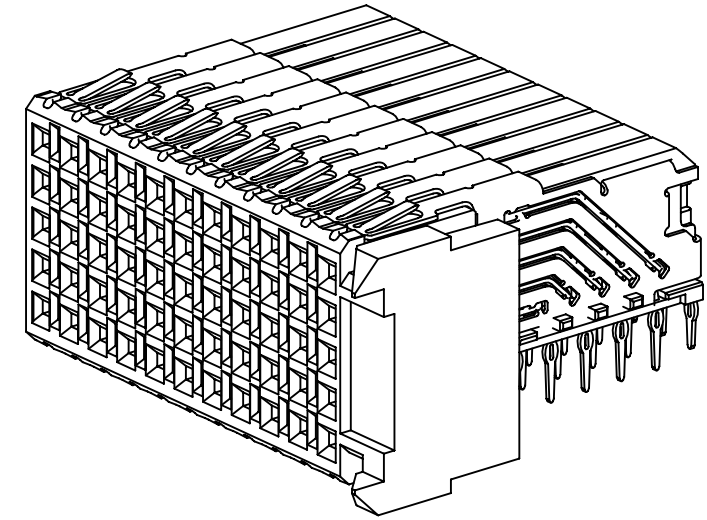
UHM-S055BX-5AP1-XXXXX
 UHM-S095BX-5AP1-XXXXX
 UHM-S110BX-5AP1-XXXXX
 UHM-S125BX-5AP1-XXXXX



UHM-S110AX-5AP1-XXXXX



UHM-S055CLX-5AP1-XXXXX



UHM-S055CRX-5AP1-XXXXX

ORDERING INFORMATION
 UHM-SXXXYZ-5AP1-XXXXX

SOCKET POSITION AND TYPE

PLATING:

HIGH SPEED OPTION

0 = 50Ω COAXIAL SINGLE-ENDED AND 100Ω DIFFERENTIAL PAIR APPLICATIONS FOR CONNECTION TO 5 +2 ROW HEADERS OUTER ROW GROUND TAILS IN ODD POSITIONS OF ROW F/Z
 3 = 50Ω COAXIAL SINGLE-ENDED AND 100Ω DIFFERENTIAL PAIR APPLICATIONS FOR CONNECTION TO 5 +2 ROW HEADERS OUTER ROW GROUND TAILS IN ALL POSITIONS OF ROW F/Z

TG30 = .76μM [30μIN] MIN. GOLD ON CONTACT AREA
 2.54μM [100μIN] MIN. TIN/LEAD ON TERMINAL AREA (RIA C2 & E2 APPLY)
 1.27μM [50μIN] MIN. NICKEL ALL OVER.
 STANDARD OPTION.
 KR = .76μM [30μIN] MIN. GOLD ON CONTACT AREA
 2.54μM [100μIN] MIN. MATTE TIN ON TERMINAL AREA (RIA C1 & E1 APPLY)
 1.27μM [50μIN] MIN. NICKEL ALL OVER.

- NOTES
- MATERIAL:
 PLASTIC: HIGH TEMP LCP, UL94V-0
 CONTACTS: COPPER ALLOY.
 - REGULATORY INFORMATION:
 ROHS COMPLIANT. SEE THE REGULATORY INFORMATION APPENDIX (RIA) IN THE "ROHS COMPLIANCE" SECTION OF WWW.3MCONNECTORS.COM FOR COMPLIANCE INFORMATION.
 - IN THE EVENT OF CONFLICT BETWEEN THIS DATA AND THAT CONTAINED IN THE PRODUCT SPECIFICATION, THE PRODUCT SPECIFICATION TAKES PRECEDENT.

MECHANICAL :

NORMAL FORCE (NOMINAL): .57N [58g] SIGNAL, (.74N [75g] SHIELD WITH HSHM AND UHM HEADERS)
 ENGAGEMENT FORCE (NOMINAL): .32N [33g] SIGNAL, (.22N [22g] SHIELD WITH HSHM AND UHM HEADERS)
 SEPARATION FORCE (NOMINAL): .20N [20g] SIGNAL, (.20N [20g] SHIELD WITH HSHM AND UHM HEADERS)
 WIPE (NOMINAL, SHORTEST CONTACT): 2.67 [.105] SIGNAL, 1.57 [.062] SHIELD
 MATE/UNMATE CYCLES: 250
 APPLICATION: THIS MODULE IS NOT SUITABLE FOR STAND-ALONE USE. ADDITIONAL GUIDE FEATURES RECOMMENDED PER IEC 61076-4-101

ELECTRICAL :

DATA RATE: 7+ Gbps DATA RATES (WHEN MATED TO STANDARD IEC 61076-4-101 HEADERS)
 CHARACTERISTIC IMPEDANCE: 50Ω SINGLE-ENDED, 100Ω DIFFERENTIAL
 CURRENT RATING (FULLY LOADED): 1A @ 70°C SIGNAL
 INSULATION RESISTANCE: 10⁴ MΩ @ 100 V_{DC}
 WITHSTANDING VOLTAGE: 625V_{RMS}

ENVIRONMENTAL :

TEMPERATURE RATING: -55°C TO 125°C

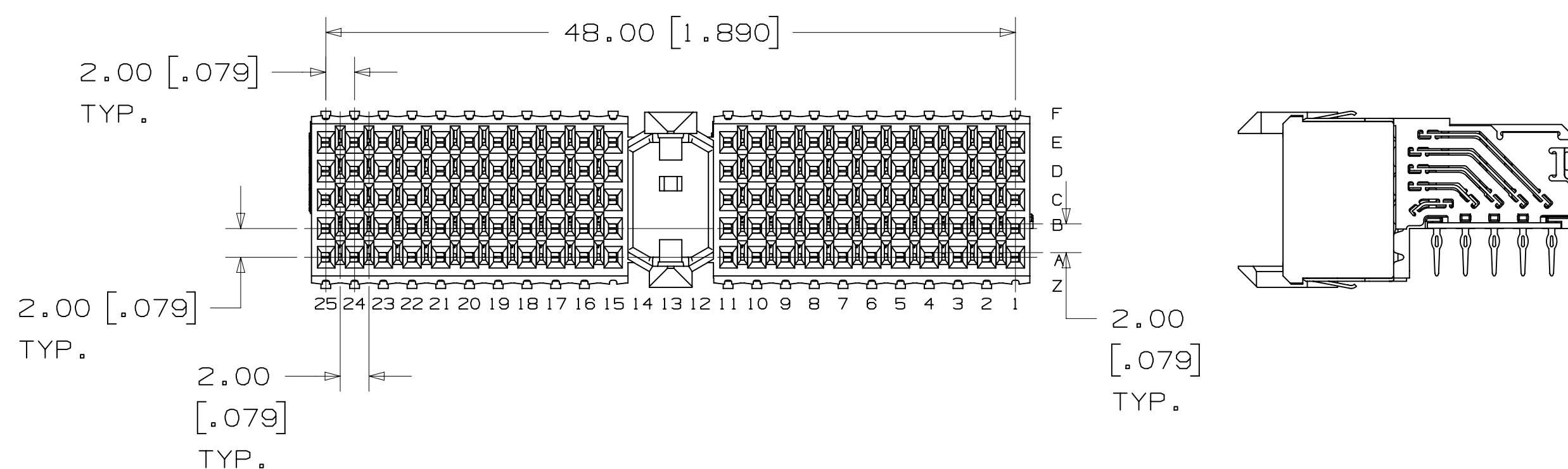
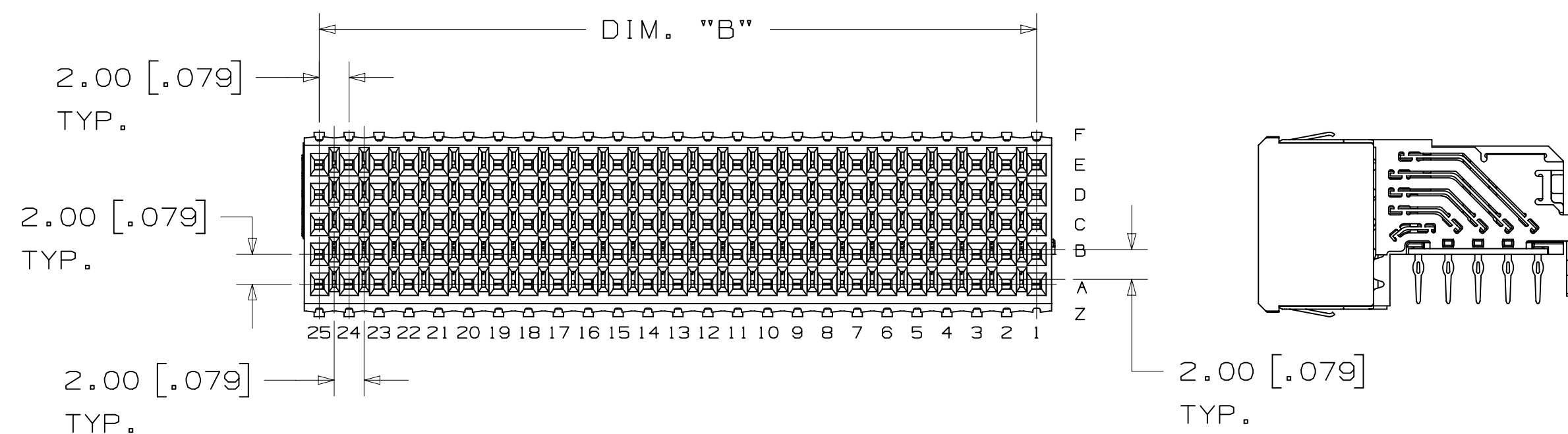
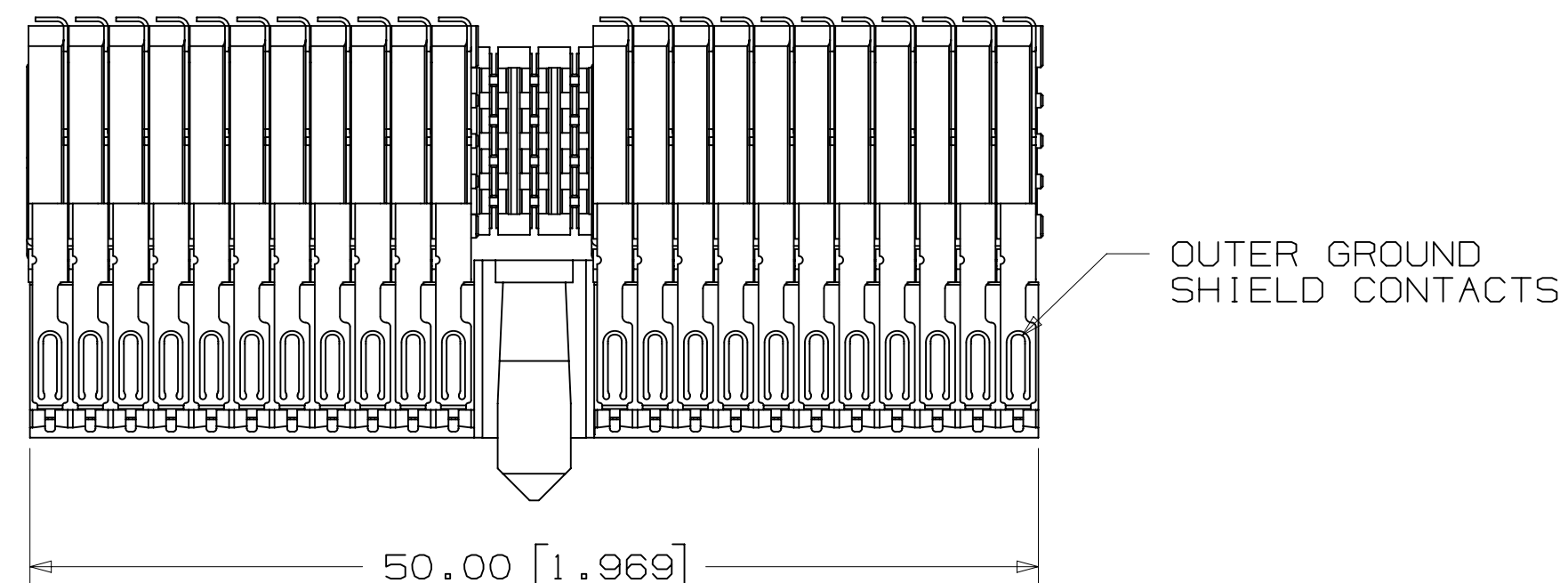
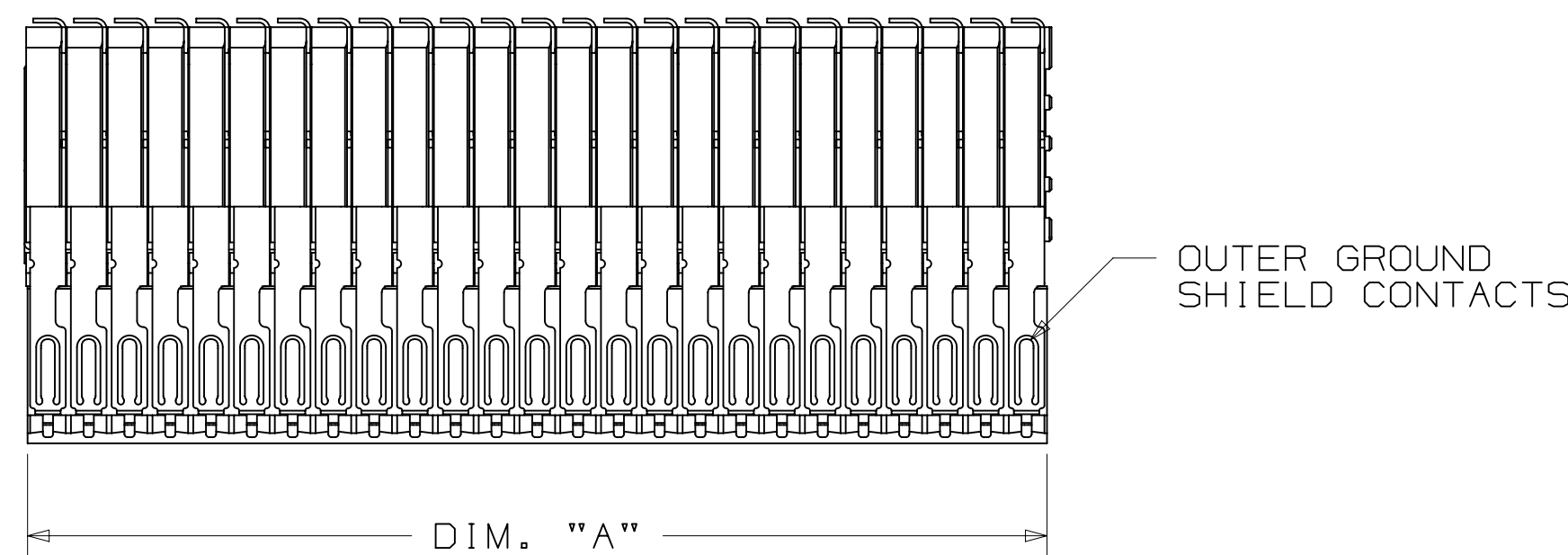
3M ELECTRONIC SOLUTIONS DIVISION
 INTERCONNECT SOLUTIONS
<http://www.3mconnectors.com>

3M IS A TRADEMARK OF 3M COMPANY.
 FOR TECHNICAL, SALES OR ORDERING
 INFORMATION CALL 800-225-5373

DESIGN REFERENCE	NEXT ASSEMBLY	REV	ECO	ISSUE DATE AND DESCRIPTION	DRFT	CHKD
		CASTIGLIONE	MAY 23, 2012	MFG		
				DATE	APPRV	DATE
				T. SUNIGA		MAY 23, 2012
DIVISION	DIVISION CODE	© 3M COPYRIGHT 2012 This document and the information it contains are 3M property and may not be reproduced or further distributed without 3M permission, or used or disclosed other than for 3M authorized purposes. All rights reserved.				
Interconnect Solutions	ISD	3M Center St. Paul, MN 55144				
DO NOT SCALE DRAWING	SCALE 3/1	TOLERANCES EXCEPT AS NOTED INCHES .0 ± .01 .000 ± .005 .0000 ± MILLIMETERS 0 ± .3 .00 ± .13 .000 ±				
THIRD ANGLE PROJECTION	INTERPRET PER ASME Y14.5 - 2009	TITLE UHM PRESS-FIT SOCKET, 5-ROW, CONNECTORS				
MAX SURFACE ROUGHNESS	SURFACES	CAGE NUMBER	SIZE	DRAWING NO.	REV.	
MARKED ONLY	ANGLES	D	78-5100-2533-7	B		
		MODEL	DET	ISTS	YES	NO
						SHT 1 OF 3

3M™ ULTRA HARD METRIC (UHM) PRESS-FIT SOCKET CONNECTORS, 5-ROW

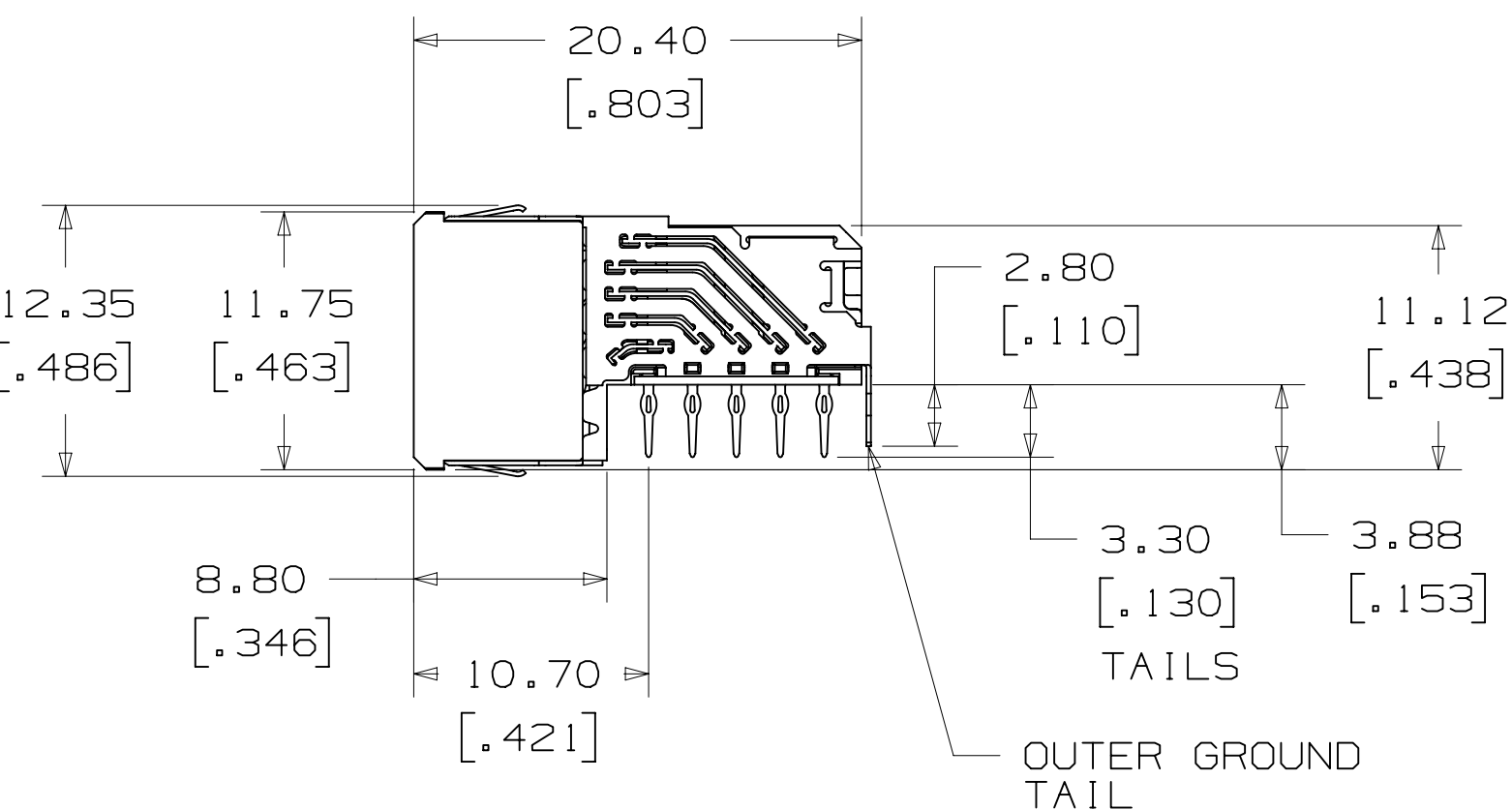
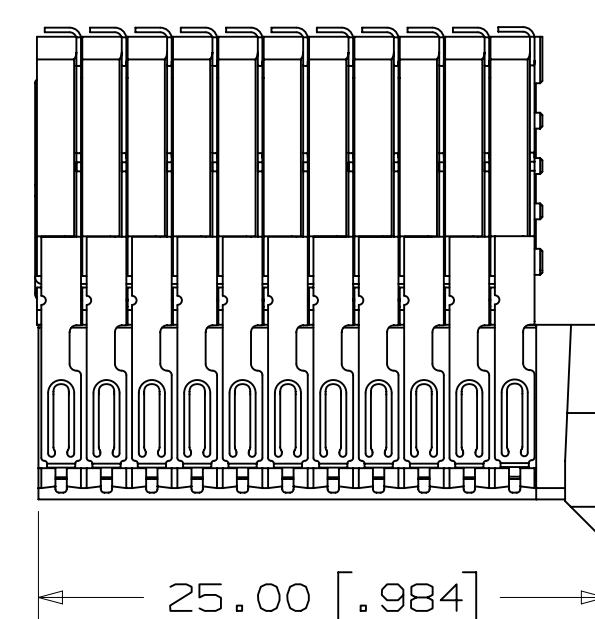
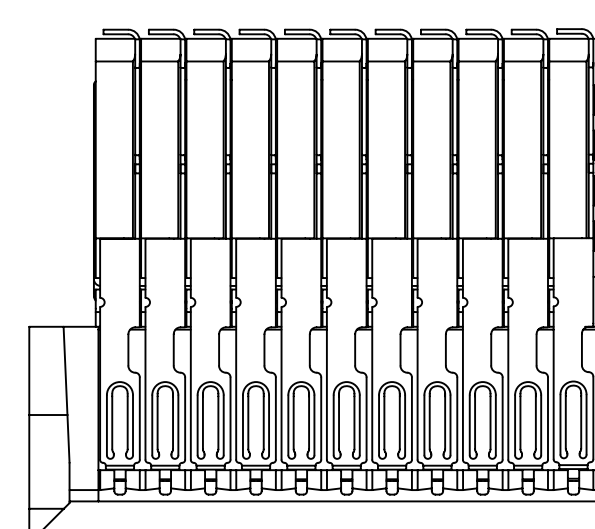
FOR 2MM HARD METRIC APPLICATIONS



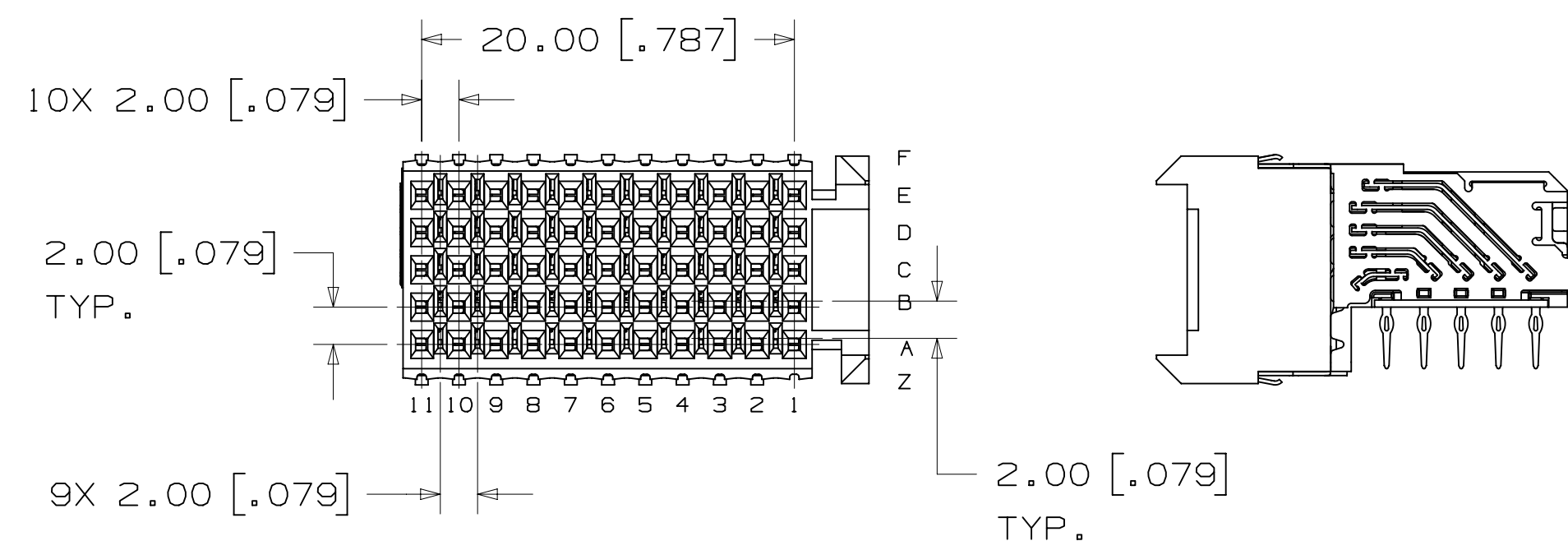
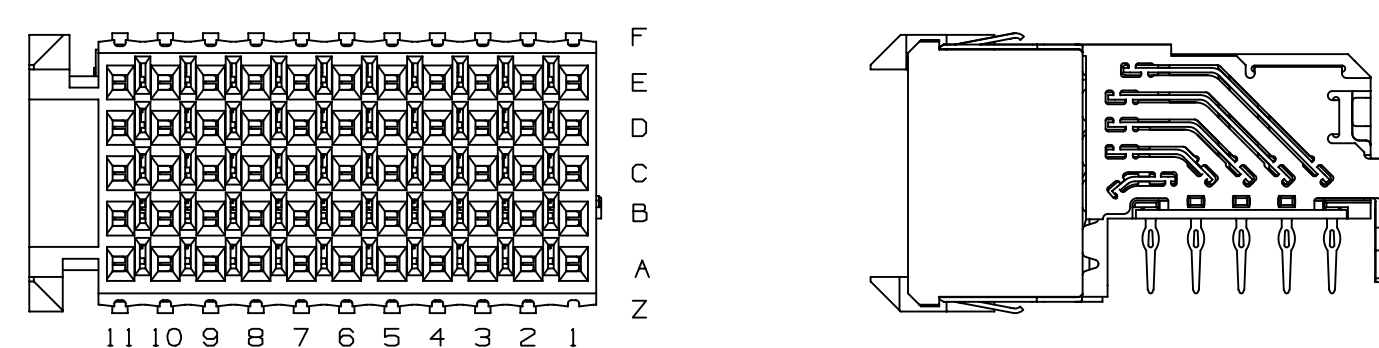
SIGNAL CONTACT QTY.	DIM. "A"	DIM. "B"
055	22.00 [.866]	20.00 [.787]
095	38.00 [1.496]	36.00 [1.417]
110	44.00 [1.732]	42.00 [1.654]
125	50.00 [1.969]	48.00 [1.890]

UHM-S055BX-5AP1-XXXXX
 UHM-S095BX-5AP1-XXXXX
 UHM-S110BX-5AP1-XXXXX
 UHM-S125BX-5AP1-XXXXX

UHM-S110AX-5AP1-XXXXX



TYPICAL SIDE VIEW DIMENSIONS FOR THE SOCKETS ON THIS DRAWING



UHM-S055CLX-5AP1-XXXXX

UHM-S055CRX-5AP1-XXXXX

DESIGN REFERENCE	NEXT ASSEMBLY	REV	ECO	ISSUE DATE AND DESCRIPTION	DRFT	CHKD
		B	58359	DEC 04, 2014	JNC	TS
		A	41080	MAY 24, 2012	JNC	TS
				REMOVE MKRT FEATURES & WITHSTANDING VOLTAGE WAS 750		
				MAY 23, 2012		
				PRODUCTION RELEASE		
				ISSUE DATE AND DESCRIPTION		
				MAY 23, 2012		
				DATE		
				MAY 23, 2012		
				DATE		
				MAY 23, 2012		

DO NOT SCALE DRAWING	SCALE	TOLERANCES EXCEPT AS NOTED
	3/1	

INCHES	MILLIMETERS
0 ± .01	0 ± .3
.00 ± .005	.00 ± .13
.0000 ±	

© 3M COPYRIGHT 2012
 This document and the information it contains are 3M property and may not be reproduced or further distributed without 3M permission, or used or disclosed other than for 3M authorized purposes. All rights reserved.

3M Center St. Paul, MN 55144

TITLE: UHM PRESS-FIT SOCKET, 5-ROW, CONNECTORS

CAGE NUMBER: D78-5100-2533-7

SIZE: B

DRAWING NO. 78-5100-2533-7

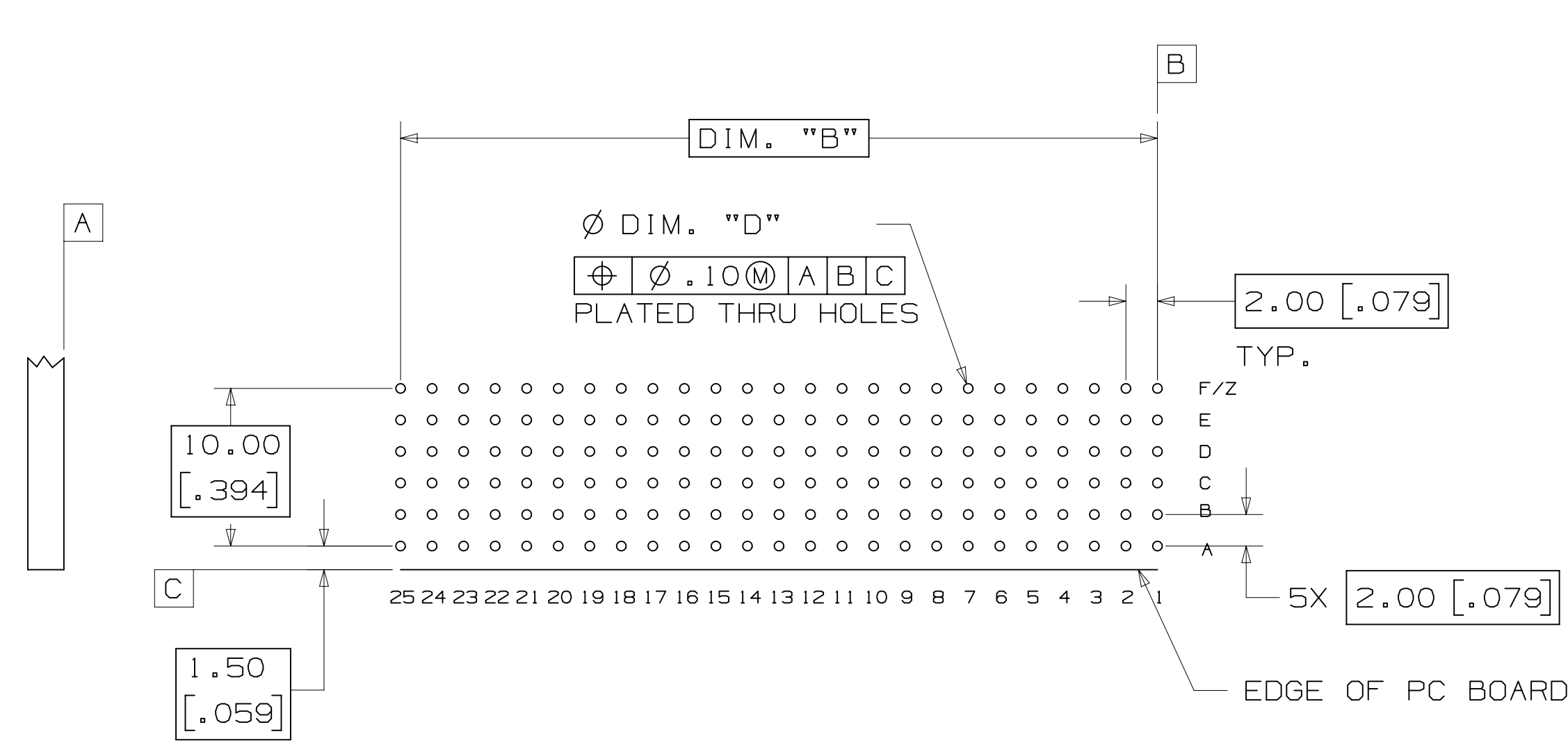
REV. B

MODEL

DET [] YES [X] NO [] SHT 2 OF 3

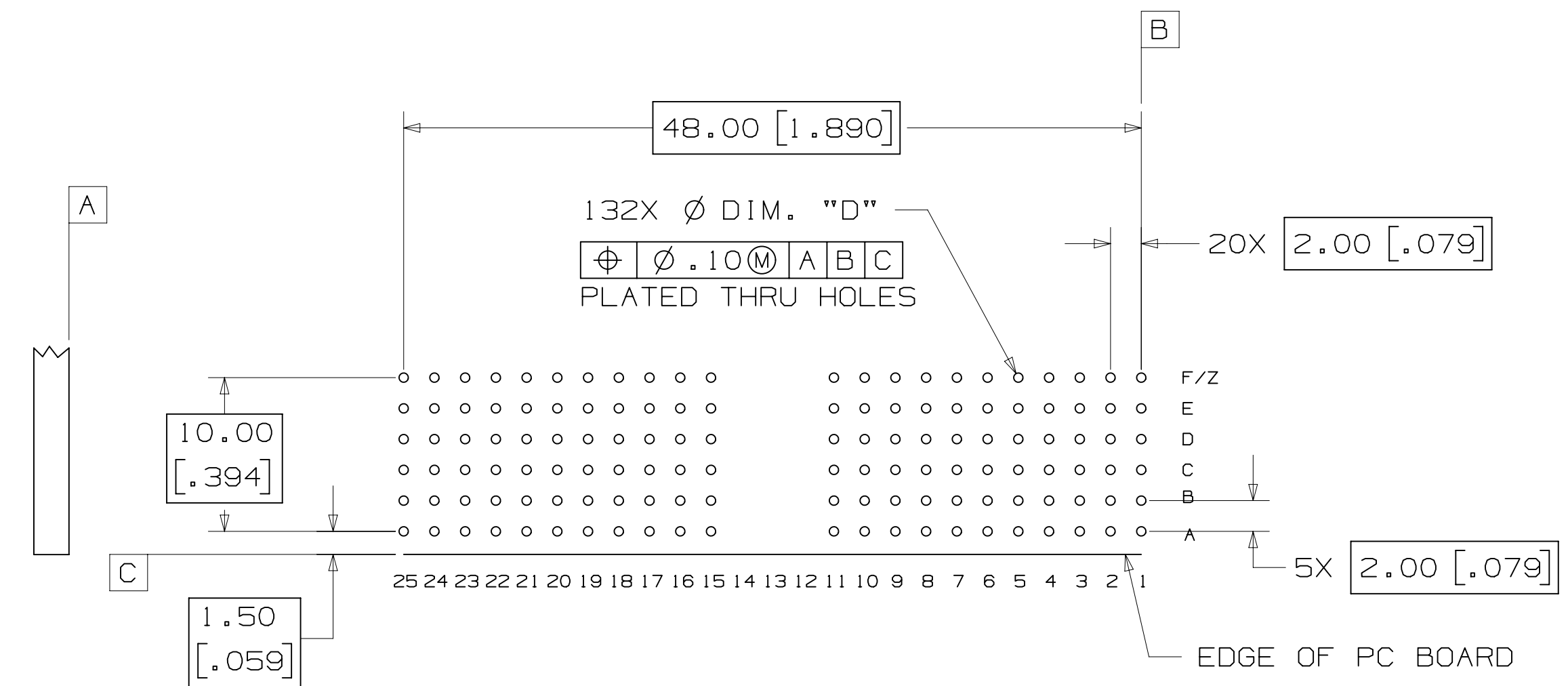
78-5100-2533-7
 DRAWING NUMBER
 B
 REVISION
 12/4/2014 2:00 PM UTC-06:00
 Imaged: B.1

3M™ ULTRA HARD METRIC (UHM) PRESS-FIT SOCKET CONNECTORS, 5-ROW
FOR 2MM HARD METRIC APPLICATIONS



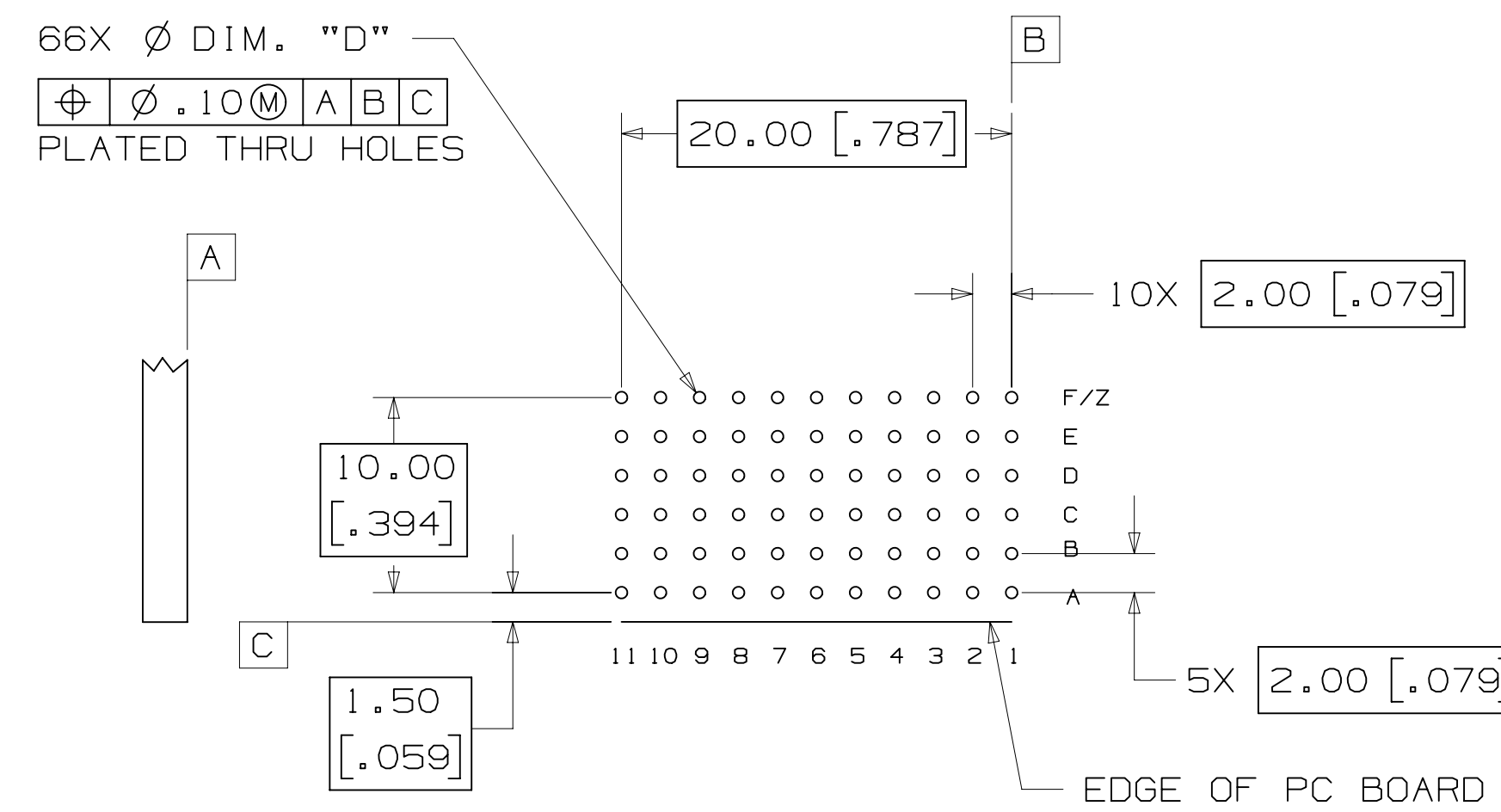
RECOMMENDED HOLE PATTERN FOR UHM-SXXXB0-5AP1
CONTAINS NO VIAS IN EVEN POSITIONS ON ROW F/Z

- UHM-S055BX-5AP1-XXXXX
- UHM-S095BX-5AP1-XXXXX
- UHM-S110BX-5AP1-XXXXX
- UHM-S125BX-5AP1-XXXXX



RECOMMENDED HOLE PATTERN FOR UHM-S110A-5AP1
CONTAINS NO VIAS IN EVEN POSITIONS ON ROW F/Z

UHM-S110AX-5AP1-XXXXX



RECOMMENDED HOLE PATTERN FOR UHM-S055CX-5AP1
CONTAINS NO VIAS IN EVEN POSITIONS ON ROW F/Z

- UHM-S055CLX-5AP1-XXXXX
- UHM-S055CRX-5AP1-XXXXX

RECOMMENDED PCB MOUNTING HOLE PATTERN
(VIEWED FROM COMPONENT SIDE)

HOLE PLATING TABLE				
HOLE	(FINISHED HOLE)	CU THICKNESS	SnPb THICKNESS	DRILLED HOLE DIA.
DIM. "D"	.550-.650 [.0217-.0256]	.025-.045 [.0010-.0018]	.008-.018 [.0003-.0007]	.686-.727 [.0270-.0286]

DESIGN REFERENCE	NEXT ASSEMBLY	REV	ECO	ISSUE DATE AND DESCRIPTION	DRFT	CHKD
APPROVED	DATE	APPROVED	DATE	DATE		
CASTIGLIONE	MAY 23, 2012	T. SUNIGA	MAY 23, 2012	MAY 23, 2012		
DIVISION		DIVISION CODE		DATE		
Interconnect Solutions		ISD		DATE		
DO NOT SCALE DRAWING	SCALE 3/1	TOLERANCES EXCEPT AS NOTED		DATE		
THIRD ANGLE PROJECTION		INCHES		DATE		
INTERPRET PER ASME Y14.5 - 2009		MILLIMETERS		DATE		
MAX SURFACE ROUGHNESS		INCHES		DATE		
SURFACES		MILLIMETERS		DATE		
MARKED ONLY		ANGLES		DATE		

B	58359	DEC 04, 2014	JNC	TS
REMOVE MKT FEATURES & WITHSTANDING VOLTAGE WAS 750				
A	41080	MAY 24, 2012	JNC	TS
PRODUCTION RELEASE				

© 3M COPYRIGHT 2012
This document and the information it contains are 3M property and may not be reproduced or further distributed without 3M permission, or used or disclosed other than for 3M authorized purposes. All rights reserved.

3M Center St. Paul, MN 55144

TITLE: UHM PRESS-FIT SOCKET, 5-ROW, CONNECTORS

CAGE NUMBER: D78-5100-2533-7

REV. B

MODEL: []

DET. []

LISTS: YES NO

SHT 3 OF 3

78-5100-2533-7 DRAWING NUMBER
REV. B
IMAGED: B.1 12/4/2014 2:00 PM UTC-06:00

Mouser Electronics

Authorized Distributor

Click to View Pricing, Inventory, Delivery & Lifecycle Information:

[3M:](#)

[UHM-S110B3-5AP1-KR](#)