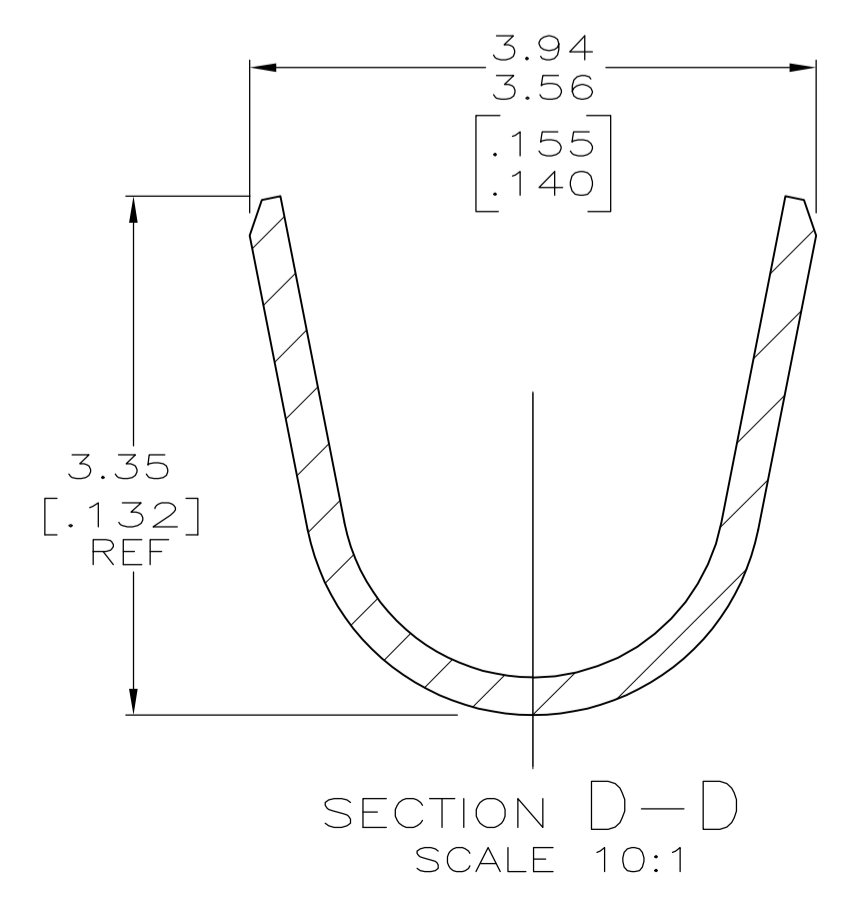
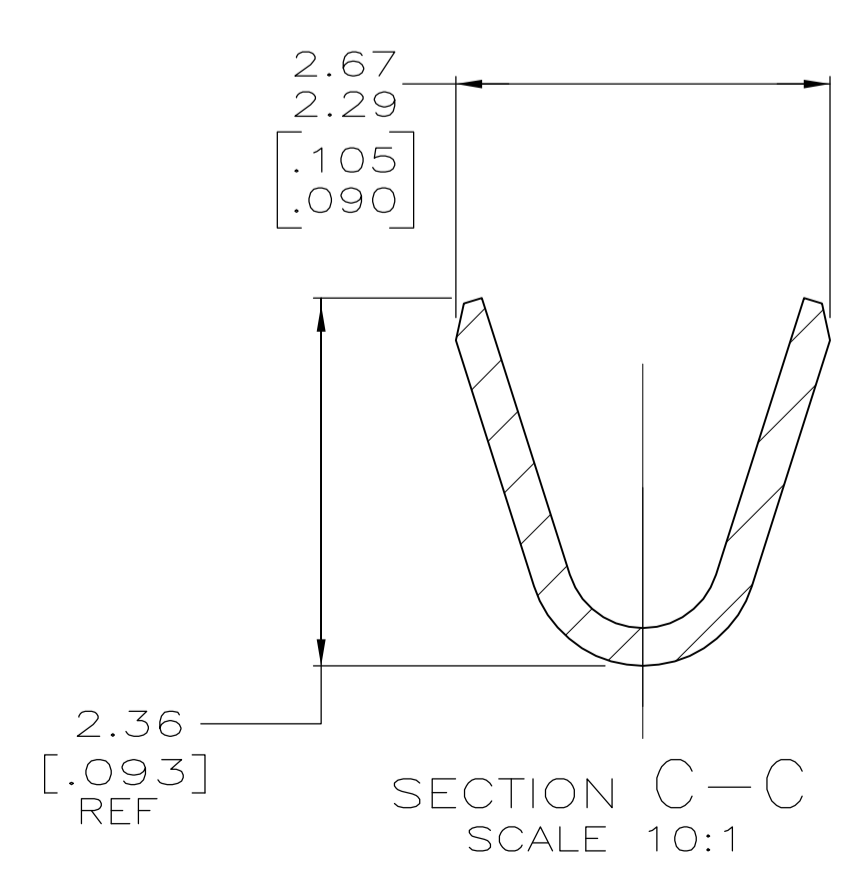
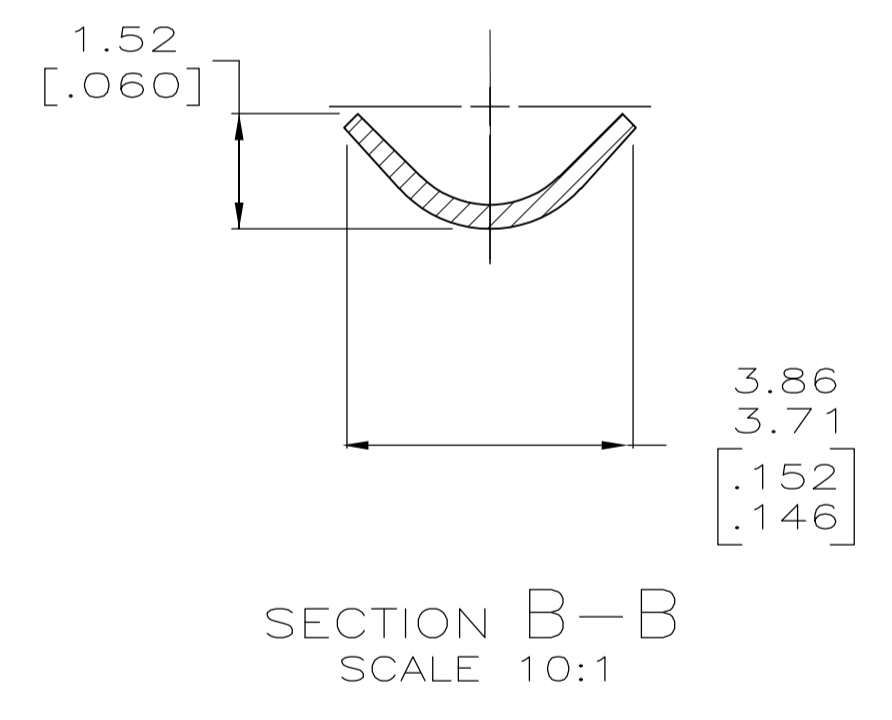
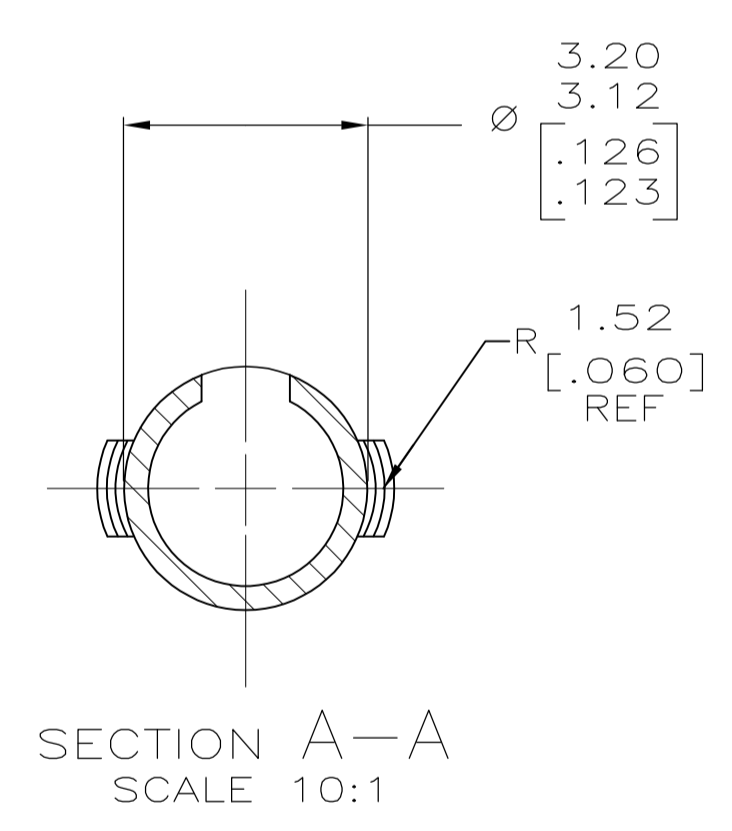
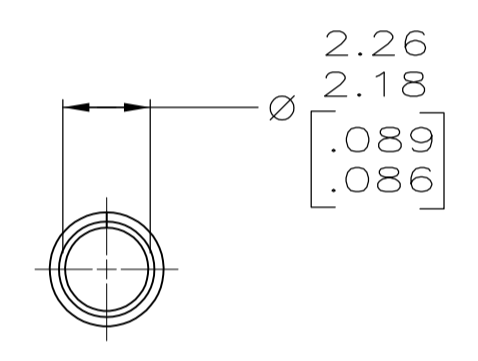
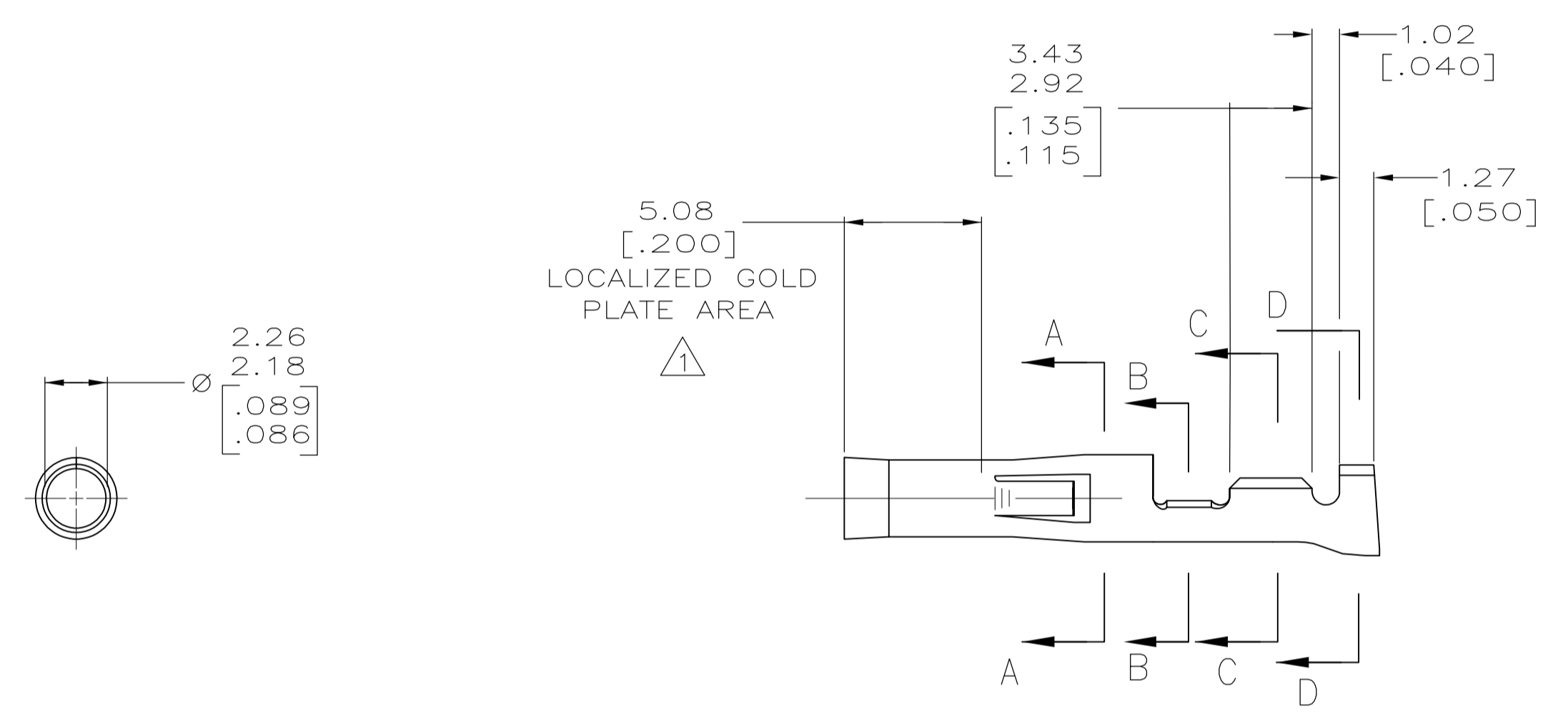
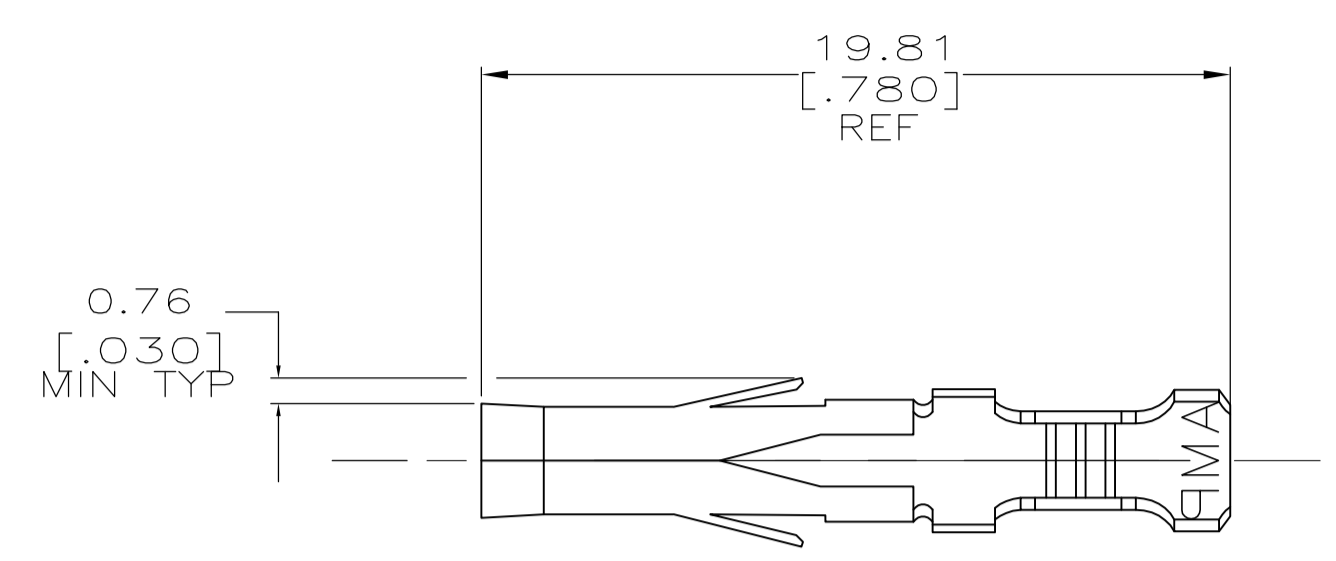


LOC		DIST		REVISIONS			
P	LTR	DESCRIPTION	DATE	DWN	APVD		
G1		REVISED PER ECO-11-005027	11MAR11	RK	HMR		

- ① 0.00127 [.000050] MIN GOLD IN LOCALIZED GOLD PLATE AREA OVER 0.00127 [.000050] MIN NICKEL.
- ② 0.00127 [.000050] NICKEL PLATE ON ENTIRE CONTACT WITH 0.000762 [.000030] GOLD PLATE ON INSIDE OF RECEPTACLE AND GOLD FLASH ON REMAINDER OF CONTACT.
- 3 WIRE RANGE: 0.3 - 0.84mm² (24-18 AWG).
- 4 INSULATION RANGE: 2.79 [.110] MAX. DIA.
- 5 DIMENSIONS IN BRACKETS ARE IN INCHES.



METRIC

②	0.25 [.010] BRASS	770146-5
①	0.25 [.010] BRASS	770146-3
PRE-TIN	0.25 [.010] BRASS	770146-1
FINISH	MATERIAL	PART NO

THIS DRAWING IS A CONTROLLED DOCUMENT. DWN: K. WHITAKER 19JUN2007
CHK: C. CASH 19JUN2007

APVD: C. CASH 19JUN2007

NAME: SOCKET, .093, LOOSE PIECE, COMMERCIAL PIN AND SOCKET

SIZE: A1 CAGE CODE: 00779C DRAWING NO: 770146

RESTRICTED TO: -

MATERIAL: SEE TABLE FINISH: SEE TABLE WEIGHT: -

CUSTOMER DRAWING SCALE: 5:1 SHEET: 1 OF 1 REV: G1

Mouser Electronics

Authorized Distributor

Click to View Pricing, Inventory, Delivery & Lifecycle Information:

[TE Connectivity:](#)

[770146-5](#)