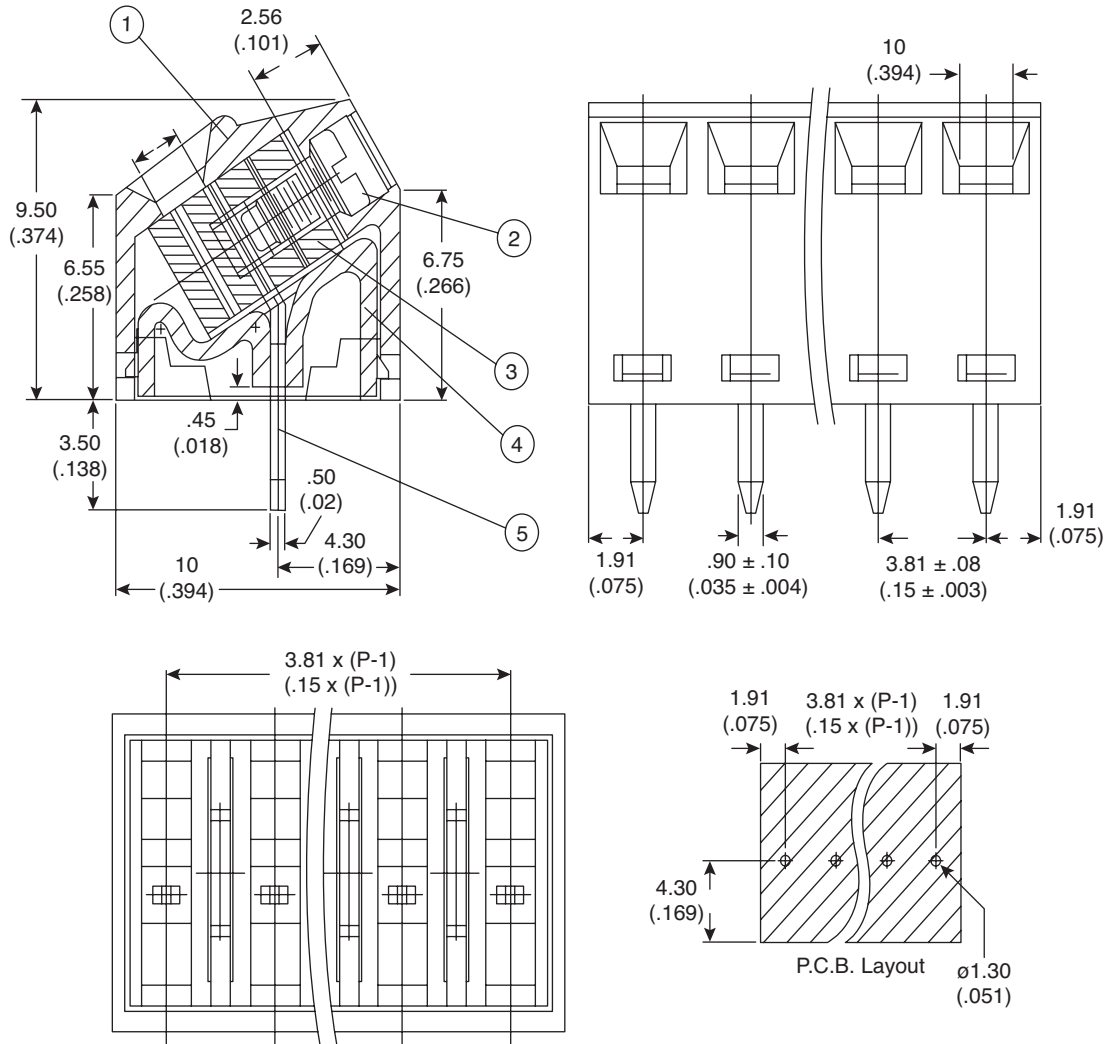


Terminal Blocks

158-P02EK381A2-E, 158-P02EK381A3-E, 158-P02EK381A4-E,
 158-P02EK381A5-E, 158-P02EK381A6-E, 158-P02EK381A7-E,
 158-P02EK381A8-E, 158-P02EK381A9-E, 158-P02EK381A10-E,
 158-P02EK381A11-E, 158-P02EK381A12-E



Terminal Blocks



Dimensions: mm (In.)

ELECTRICAL SPECIFICATIONS

Rating:	300V 13.5A
Pitch:	3.81 mm
Insulation withstands voltage:	AC 2500 V/Min
Insulation resistance:	500MΩ or more at DC500V
Temperature range:	-40°C ~ +105°C
Screw torque value:	0.22 ~ 0.25N.M
Electric wire:	30 ~ 16 AWG

MATERIAL SPECIFICATIONS

Solder pin:	bronze, tin plated
Cover:	PA66, green
Wire cage:	steel, M2/Ni plated
Screw:	Steel, M2/Zn plated
Housing:	PA66, green
RoHS Compliant	

Date Last Revised: 3-7-07

Available from Mouser Electronics
 1-800-346-6873
 www.mouser.com

KC- 301118

158-P02EK381A-E Series

Mouser Electronics

Authorized Distributor

Click to View Pricing, Inventory, Delivery & Lifecycle Information:

[Kobiconn:](#)

[158-P02EK381A10-E](#) [158-P02EK381A12-E](#) [158-P02EK381A11-E](#) [158-P02EK381A7-E](#) [158-P02EK381A3-E](#) [158-P02EK381A5-E](#) [158-P02EK381A9-E](#) [158-P02EK381A2-E](#) [158-P02EK381A6-E](#) [158-P02EK381A8-E](#) [158-P02EK381A4-E](#)