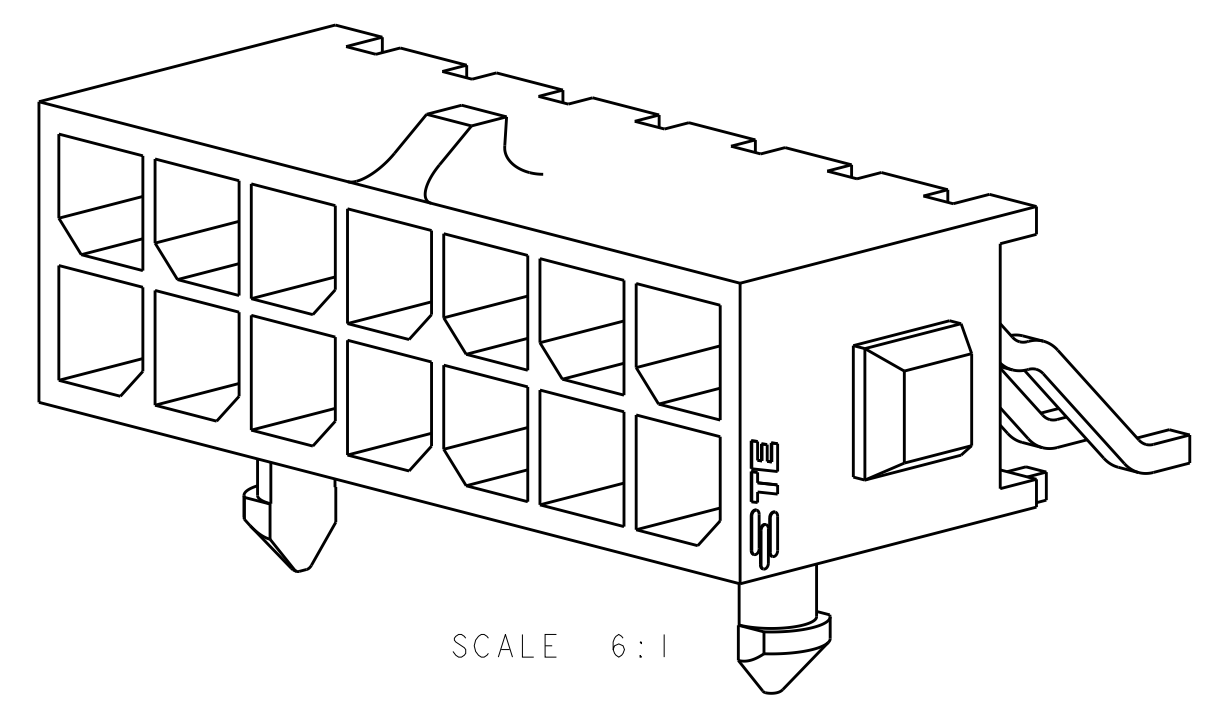
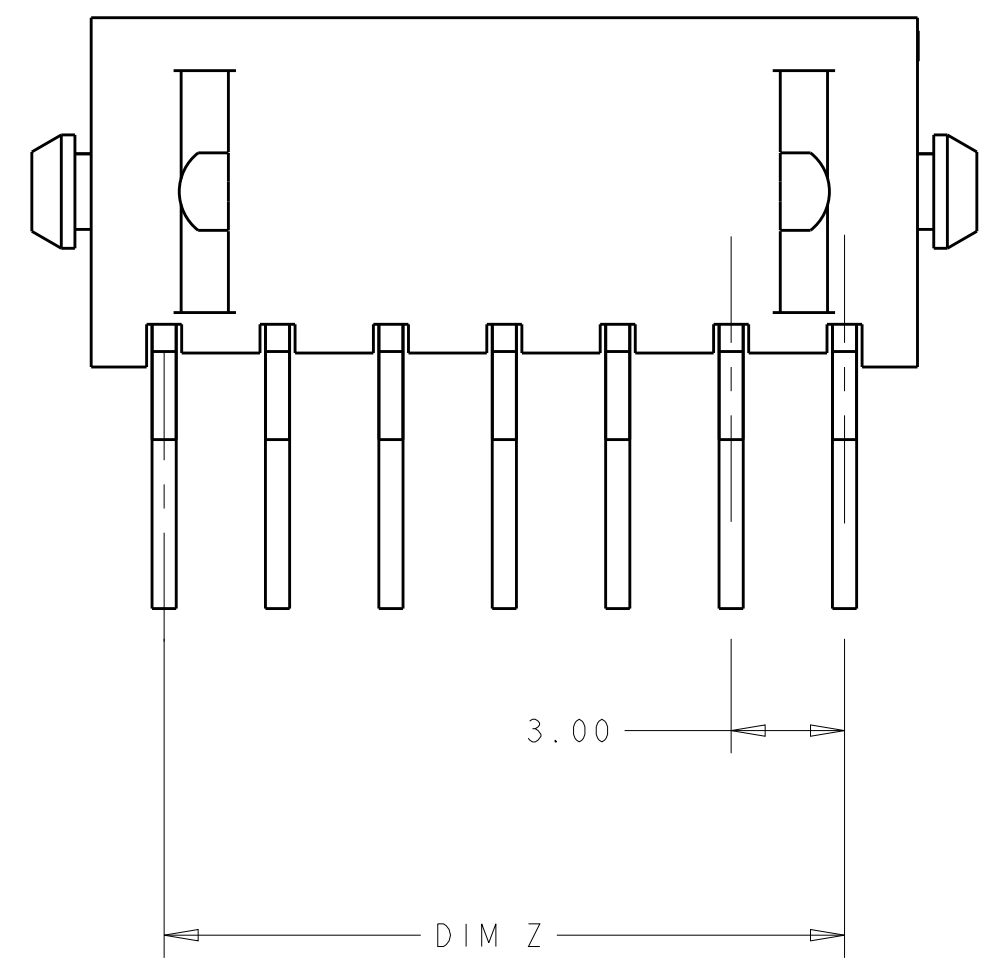
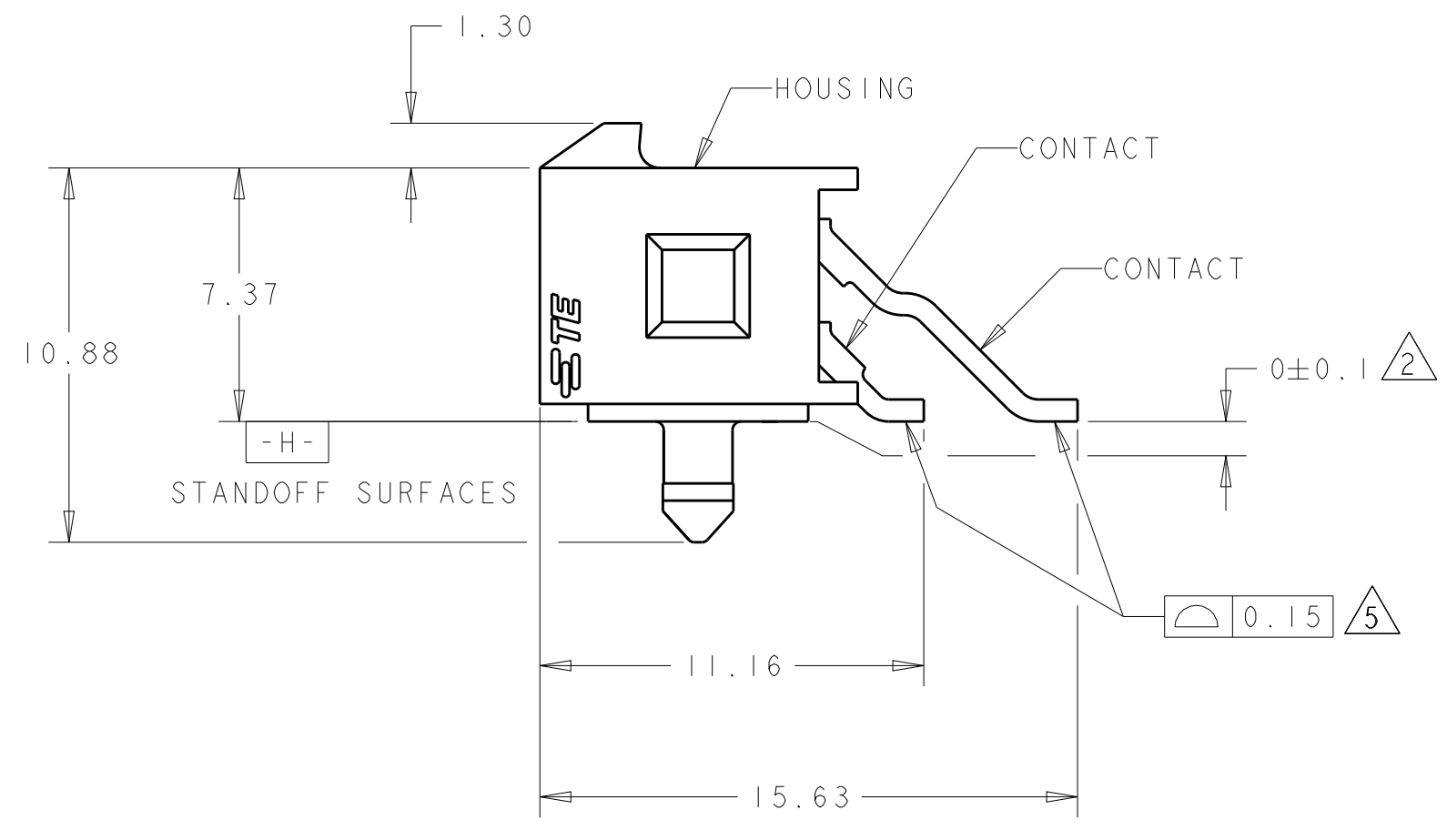
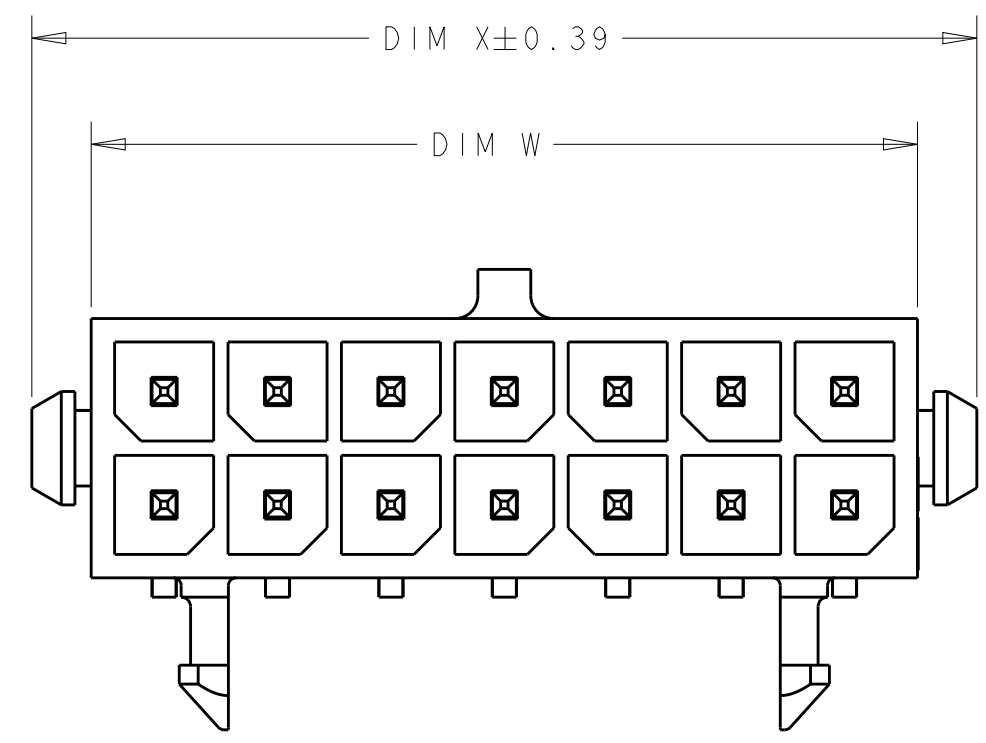


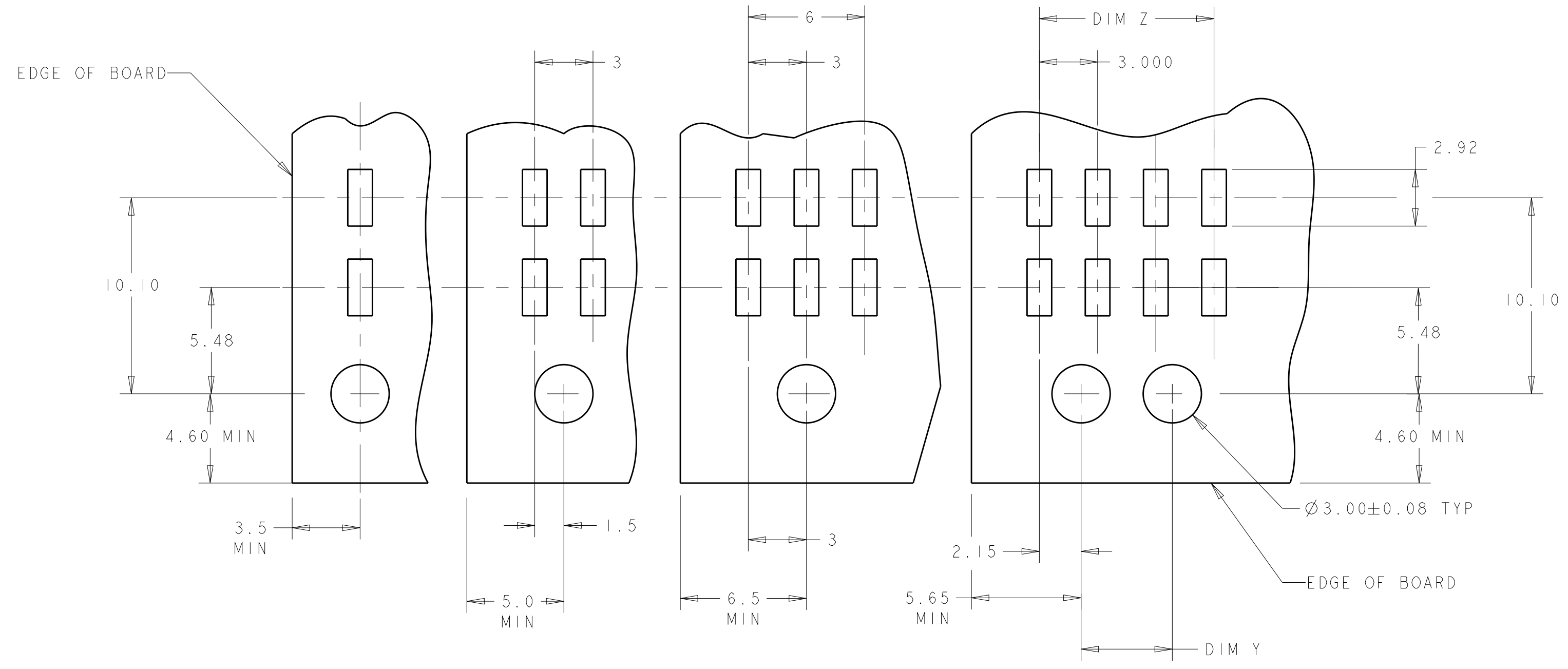
REVISIONS					
P.	LTN	DESCRIPTION	DATE	DWN	APVD
G1		REVISED PER ECR-16-011506	27JUN2017	NK	CX
G2		ECO-19-006502	29APR2019	AP	WS

- 1 MATERIAL:  
CONTACTS - BRASS.  
HOUSING - UL 94V-0 RATED HIGH TEMP NYLON, COLOR; BLACK.
- 2 PLATING:  
CONTACTS - 0.76µm MINIMUM GOLD OVER 2.54µm MINIMUM NICKEL ON MATING AREA. 2.54µm TIN-LEAD MINIMUM OVER 2.54µm NICKEL MINIMUM ON SOLDER TAILS.
- 3 DIMENSION APPLIES TO SOLDERTAIL SURFACES AND STANDOFF SURFACES.
- 4 RECOMMENDED PC BOARD THICKNESS OF 1.57.
- 5 ALL SOLDERTAILS.
- 6 PLATING:  
CONTACTS - 0.76µm MINIMUM GOLD OVER 2.54µm MINIMUM NICKEL ON MATING AREA. 2.54µm MATTE TIN MINIMUM OVER 2.54µm NICKEL MINIMUM ON SOLDER TAILS.



FINISH	DIM W	DIM Y	DIM Z	DIM X	NO. OF POSN.	PART NUMBER
6	36.86	28.70	33.00	40.00	24	5-794623-4
6	33.86	25.70	30.00	37.00	22	5-794623-2
6	30.86	22.70	27.00	34.00	20	5-794623-0
6	27.86	19.70	24.00	31.00	18	4-794623-8
6	24.86	16.70	21.00	28.00	16	4-794623-6
6	21.86	13.70	18.00	25.00	14	4-794623-4
6	18.86	10.70	15.00	22.00	12	4-794623-2
6	15.86	7.70	12.00	19.00	10	4-794623-0
6	12.86	4.70	9.00	16.00	8	3-794623-8
6	9.86	-	6.00	13.00	6	3-794623-6
6	6.86	-	3.00	10.00	4	3-794623-4
6	3.86	-	-	7.00	2	3-794623-2

SUPERSEDED BY 5-794623-4	2	36.86	28.70	33.00	40.00	24	<del>5-794623-4</del>
SUPERSEDED BY 5-794623-2	2	33.86	25.70	30.00	37.00	22	<del>5-794623-2</del>
SUPERSEDED BY 5-794623-0	2	30.86	22.70	27.00	34.00	20	<del>5-794623-0</del>
SUPERSEDED BY 4-794623-8	2	27.86	19.70	24.00	31.00	18	<del>4-794623-8</del>
SUPERSEDED BY 4-794623-6	2	24.86	16.70	21.00	28.00	16	<del>4-794623-6</del>
SUPERSEDED BY 4-794623-4	2	21.86	13.70	18.00	25.00	14	<del>4-794623-4</del>
SUPERSEDED BY 4-794623-2	2	18.86	10.70	15.00	22.00	12	<del>4-794623-2</del>
SUPERSEDED BY 4-794623-0	2	15.86	7.70	12.00	19.00	10	<del>4-794623-0</del>
SUPERSEDED BY 3-794623-8	2	12.86	4.70	9.00	16.00	8	<del>3-794623-8</del>
SUPERSEDED BY 3-794623-6	2	9.86	-	6.00	13.00	6	<del>3-794623-6</del>
SUPERSEDED BY 3-794623-4	2	6.86	-	3.00	10.00	4	<del>3-794623-4</del>
SUPERSEDED BY 3-794623-2	2	3.86	-	-	7.00	2	<del>3-794623-2</del>



RECOMMENDED PCB LAYOUT (COMPONENT SIDE)

THIS DRAWING IS A CONTROLLED DOCUMENT.		DWN: 28-JAN-2002 CHK: WHITAKER C. JONES	TE Connectivity	
DIMENSIONS: mm		TOLERANCES UNLESS OTHERWISE SPECIFIED:	NAME: SURFACE MOUNT, R/A, 30 GOLD HEADER, PLASTIC BOARDLOCK, DUAL ROW, MICRO MATE-N-LOK™	
0 PLC ±		1 PLC ±0.13	PRODUCT SPEC: 108-1836	
2 PLC ±		3 PLC ±	APPLICATION SPEC: 114-13000	
4 PLC ±		ANGLES ±	SIZE: A1	
MATERIAL: SEE TABLE		FINISH: SEE TABLE	WEIGHT: -	RESTRICTED TO: -
CUSTOMER DRAWING		SCALE: 5:1	SHEET: 1 OF 1	REV: G2