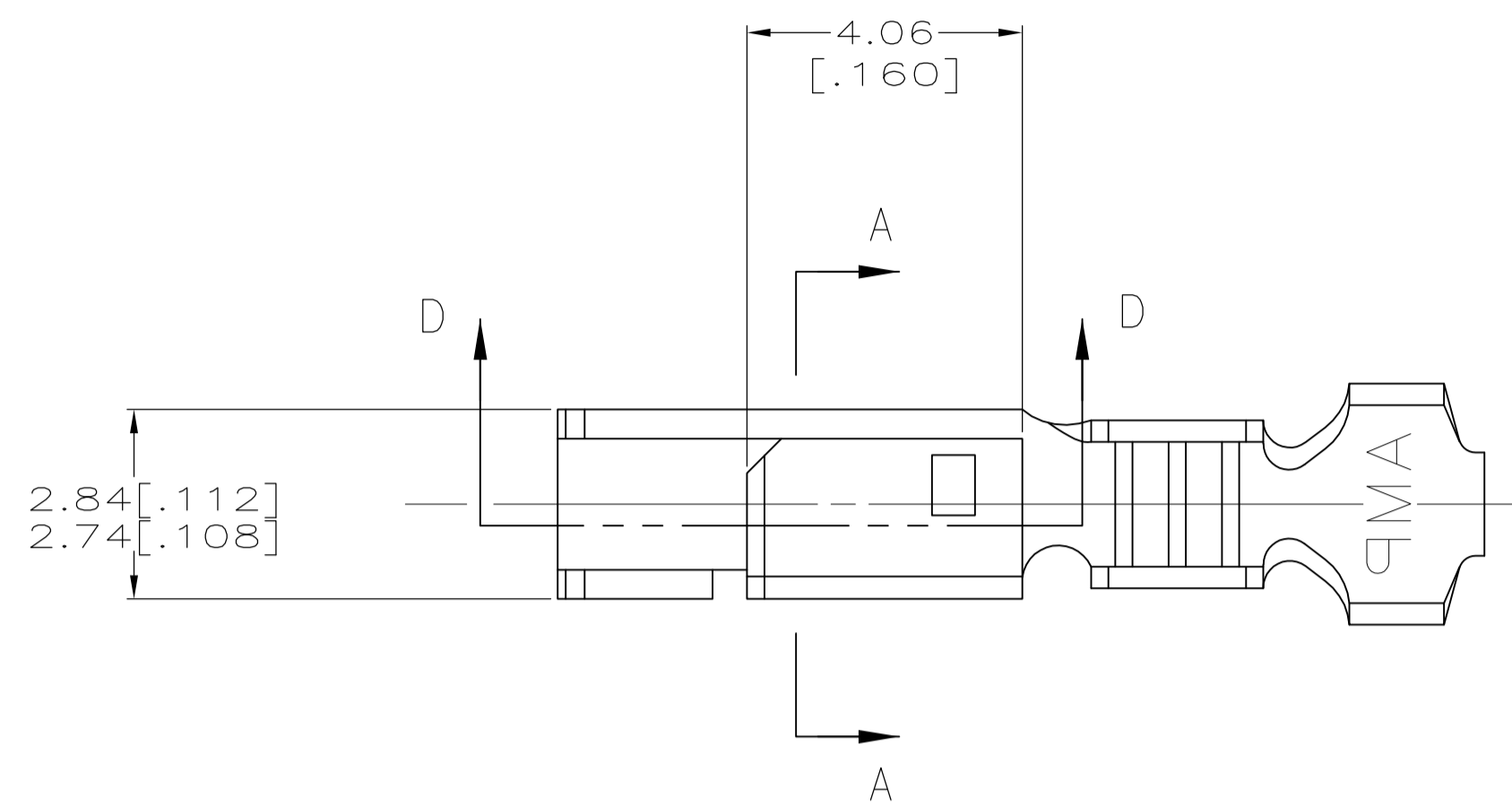
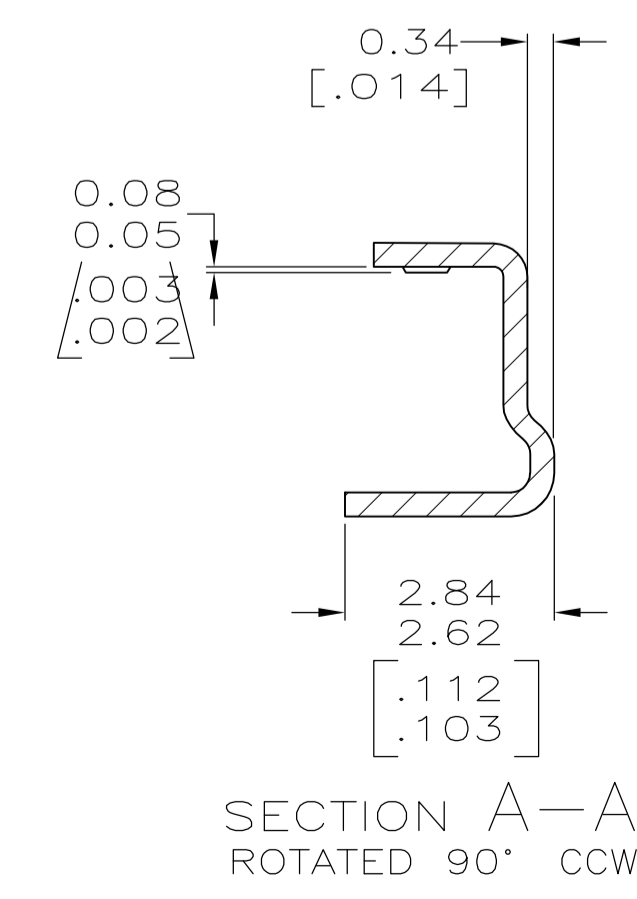
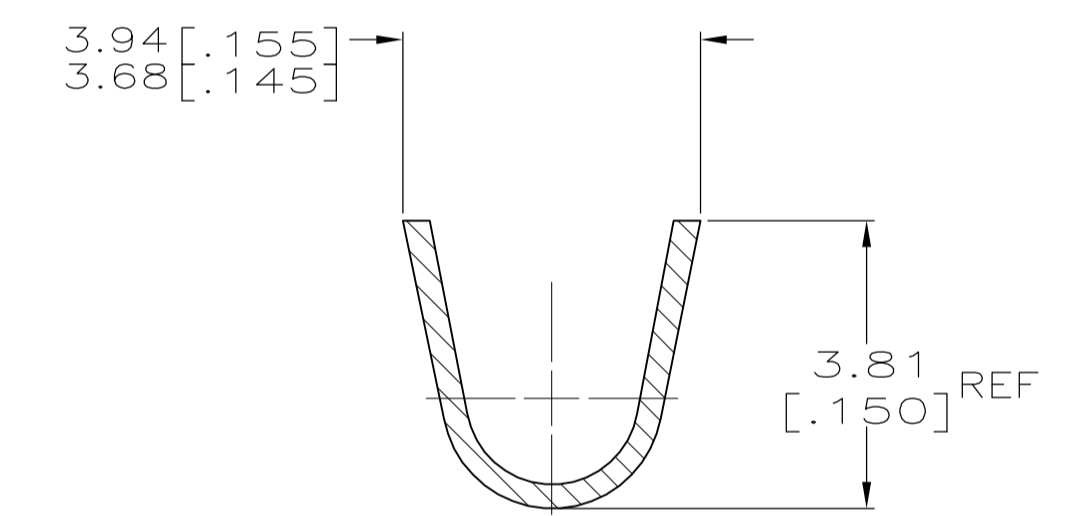
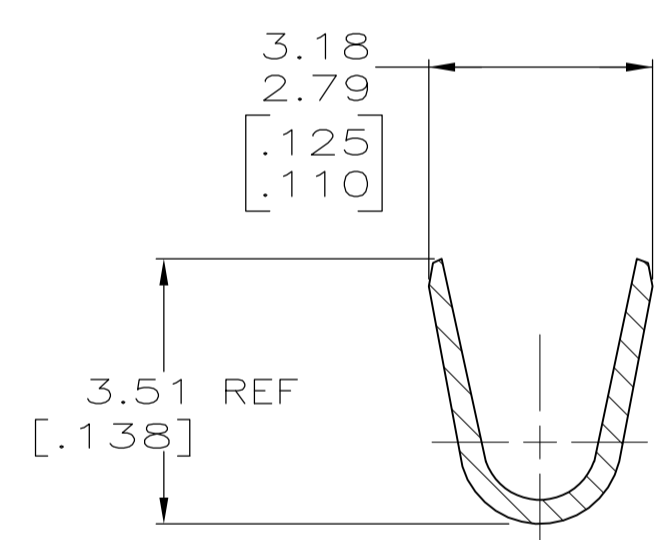
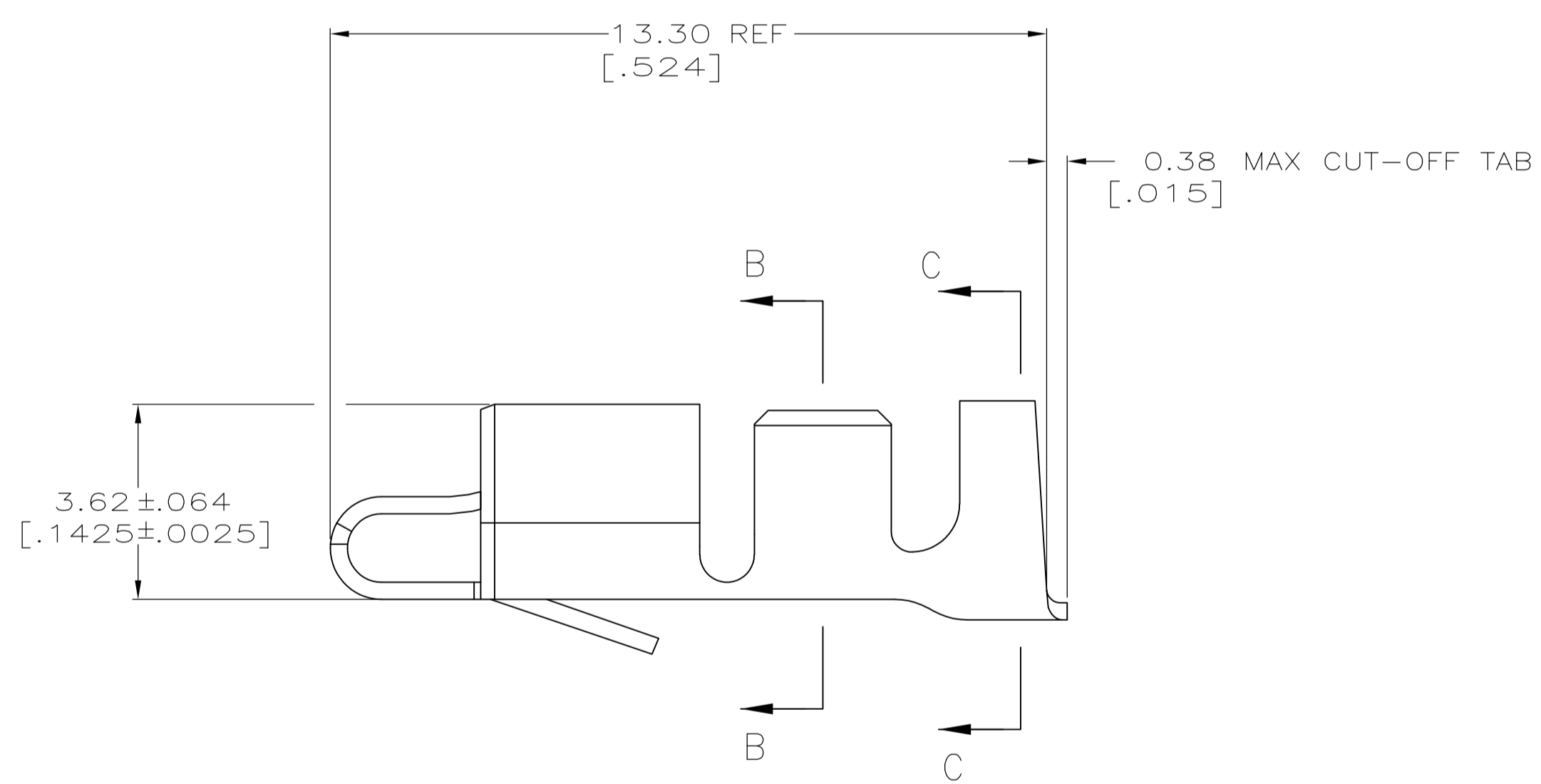
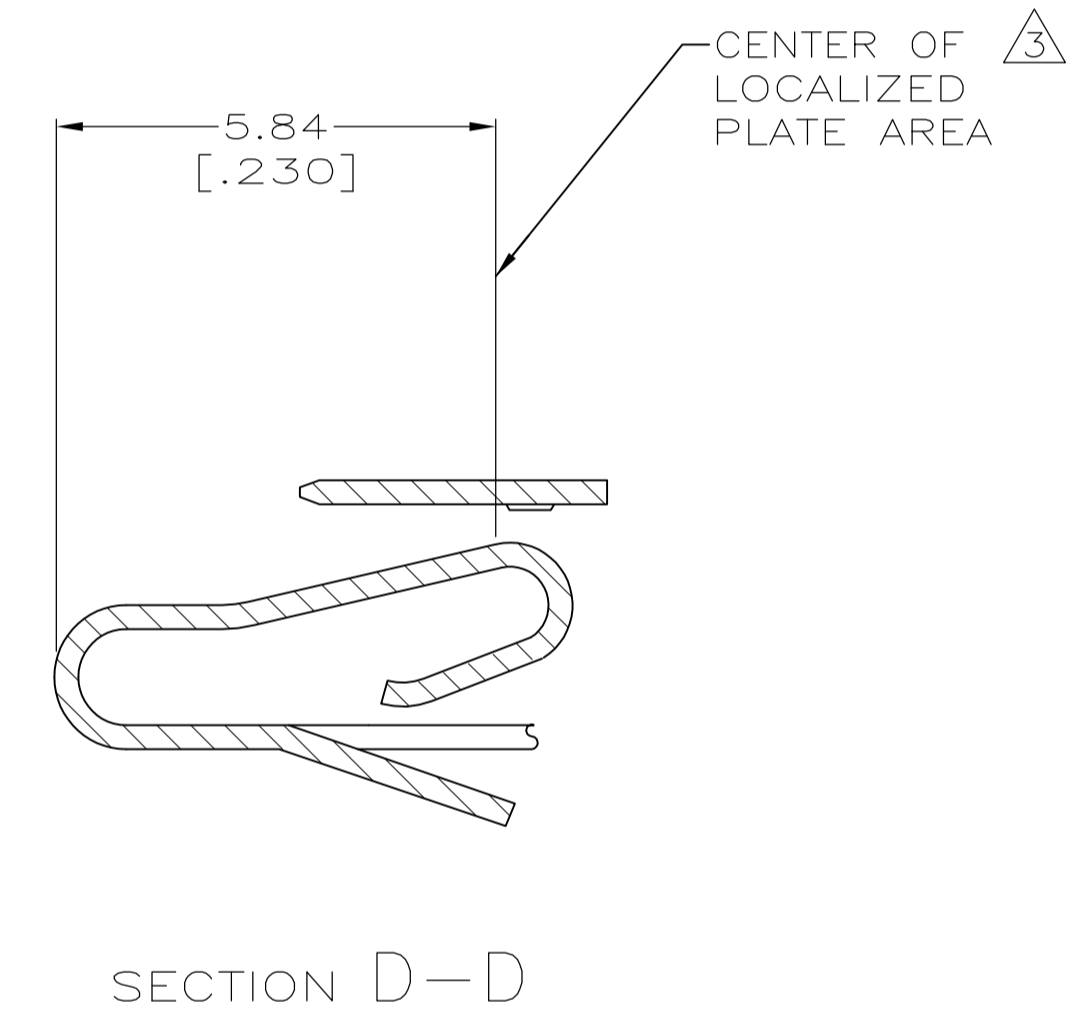


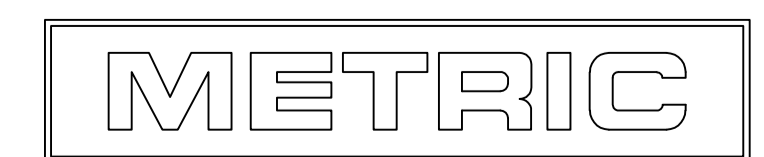
LOC		DIST		REVISIONS			
P	LTR	DESCRIPTION	DATE	DN	APVD		
A		ECO-07-023735	09OCT07	KW	SR		



- INSULATION RANGE: 1.78-2.84 [.070-.112]  
 WIRE RANGE: NOT TO EXCEED 2550-2800 CMA (1.29-1.42 mm<sup>2</sup>) (LIMITED 16 AWG RANGE).
- 0.00203 [.000080] MIN BRIGHT TIN-LEAD OVER  
 0.00127 [.000050] MIN NICKEL.
- 0.00076 [.000030] MIN THICK GOLD STRIPES IN LOCALIZED PLATE AREA ON BEAM AND DIMPLE OVER  
 0.00127 [.000050] MIN THICK NICKEL OVER ENTIRE CONTACT.
- DIMENSIONS IN BRACKETS ARE IN INCHES.
- FOR USE ONLY WITH LID STYLE HOUSING.
- 0.00203 [.000080] MIN BRIGHT TIN OVER  
 0.00127 [.000050] MIN NICKEL.



△6	3-647485-1
△3	647485-2
△1	647485-1
FINISH	PART NUMBER



THIS DRAWING IS A CONTROLLED DOCUMENT.		DIN K. WHITAKER 15-JAN-2001	Tyco Electronics Corporation Harrisburg, PA 17105-3608	
DIMENSIONS: mm [INCHES]		CHK J. ELLIS 15-JAN-2001	APVD J. ELLIS 15-JAN-2001	
TOLERANCES UNLESS OTHERWISE SPECIFIED:		NAME SL-156 HOODED RECEPTACLE, LARGE WIRE CONTACT, LOOSE PIECE		
0 PLC ± -		PRODUCT SPEC 108-1049		
1 PLC ± -		APPLICATION SPEC 114-1021		
2 PLC ± -		SIZE A1	CAGE CODE 00779	DRAWING NO. 647485
3 PLC ± .005		WEIGHT -		RESTRICTED TO -
4 PLC ± -		MATERIAL PH BRZ		FINISH SEE TABLE
ANGLES ± -		CUSTOMER DRAWING		SCALE 10:1 SHEET 1 OF 1 REV A

# Mouser Electronics

Authorized Distributor

Click to View Pricing, Inventory, Delivery & Lifecycle Information:

[TE Connectivity:](#)

[3-647485-1](#)