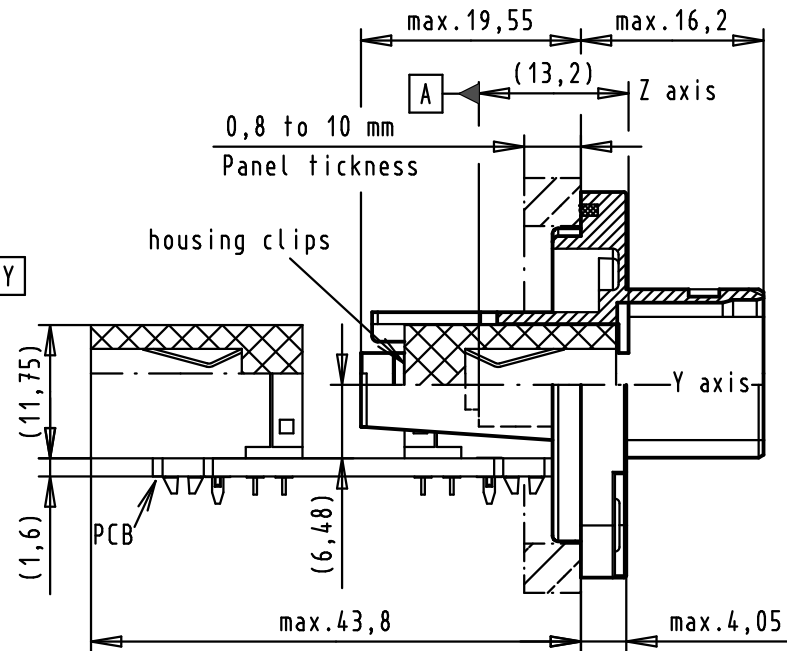
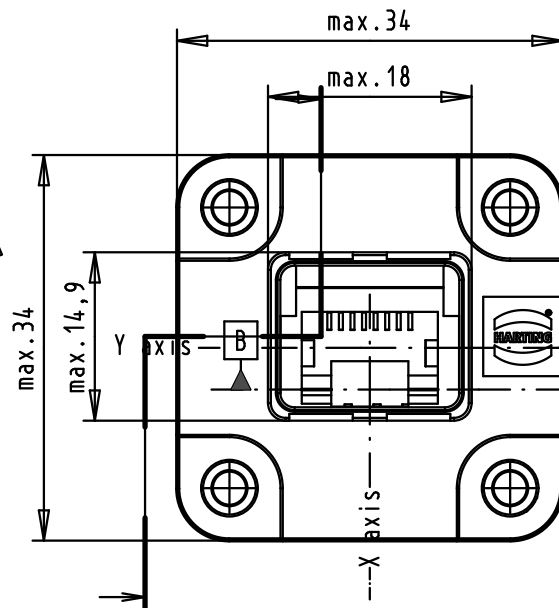
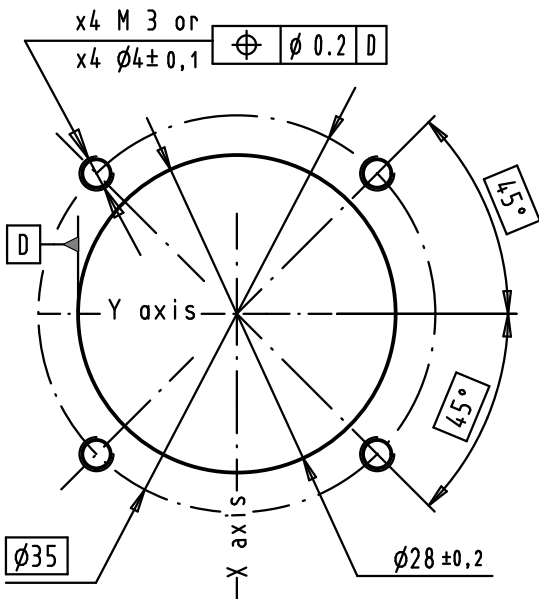


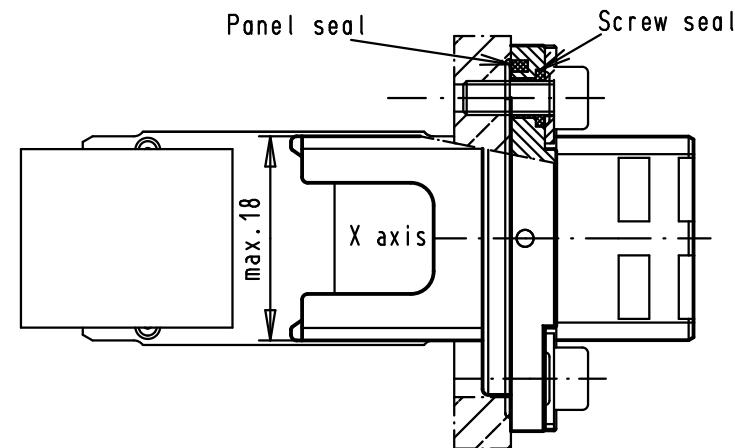
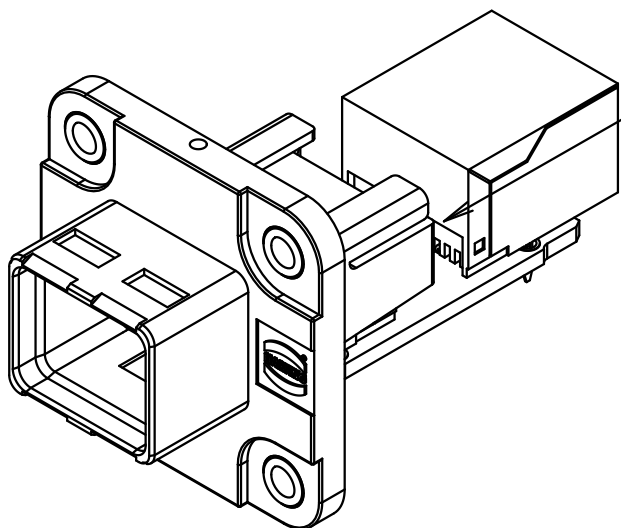
Panel cutting

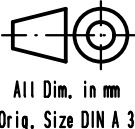



Connector pitches on panel = 35 mm
 Receptacle mating face acc. to IEC 61076-3-106 - variant 04

jack references A and B according to IEC 60603-7 the jack is located in the housing in the X,Y,Z axis after locking clips. The assembled PC Board is delivered to customer not locked in the housing.

Screwing by x4 M3 screws with torque 0.5 N.m with flat washer under the screw .



Mod.	Dot.	Name	Detail.	Dot.	Name	 All Dim. in mm Orig. Size DIN A 3	Push-pull RJ Industrial Easy install IP 67 receptacle and right angled jack 8 poles	Maßstab/ Scale
33812	23/oct/06	JFB	Insp.	19/dec/05	JFB			
33468	10/may/06	JFB	Stand.					
33405	20/dec/05	BD						
33289	19/dec/05	BD						
			HARTING EURL F-95972 Paris				TB 09 45 245 1130	Blatt/ Page
							Sub.	1 / 1

Mouser Electronics

Authorized Distributor

Click to View Pricing, Inventory, Delivery & Lifecycle Information:

[HARTING:](#)

[09452451130](#)