

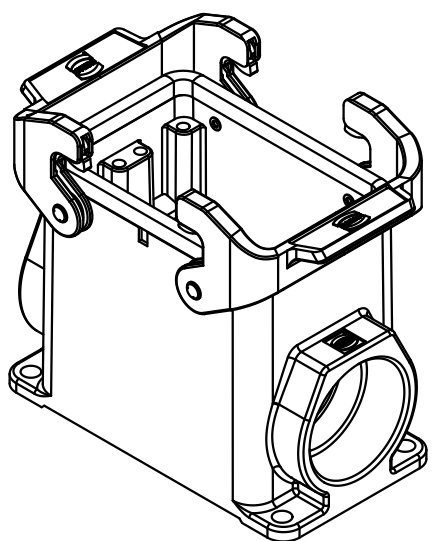
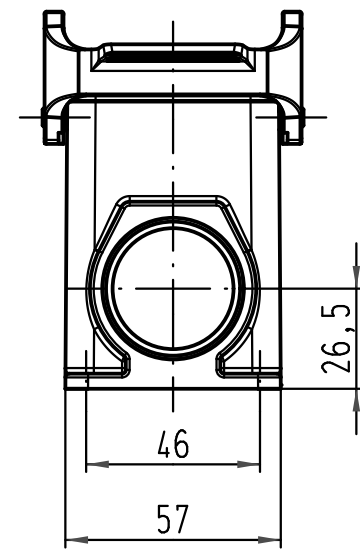
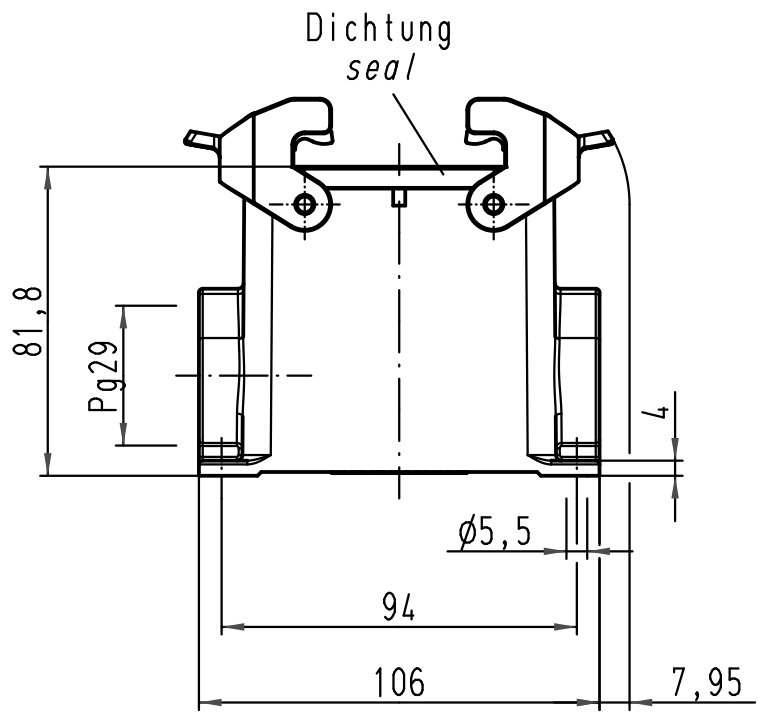
1 2 3 4 5 6

A

B

C

D



All Dimensions in mm Original Size DIN A 4			Techn. Character.			Nicht tolerierte Maß/Free size tolerances			
				Dat.	Name	Maßstab/Scale 1:2	Han 32A-asg1-QB-29 Sockelgehäuse housing surface mounting		
			Detail.	26.01.11	Spr				
			Insp.		Be				
			Stand.						
A			HARTING Electric GmbH & Co. KG				TB 09 20 032 0231		
Mod.	Dat.	Name	D-32339 Espelkamp						
							Sub. TB 09 20 032 0231 v. 03.03.93		Blatt/page

Mouser Electronics

Authorized Distributor

Click to View Pricing, Inventory, Delivery & Lifecycle Information:

[HARTING:](#)

[09200320231](#)