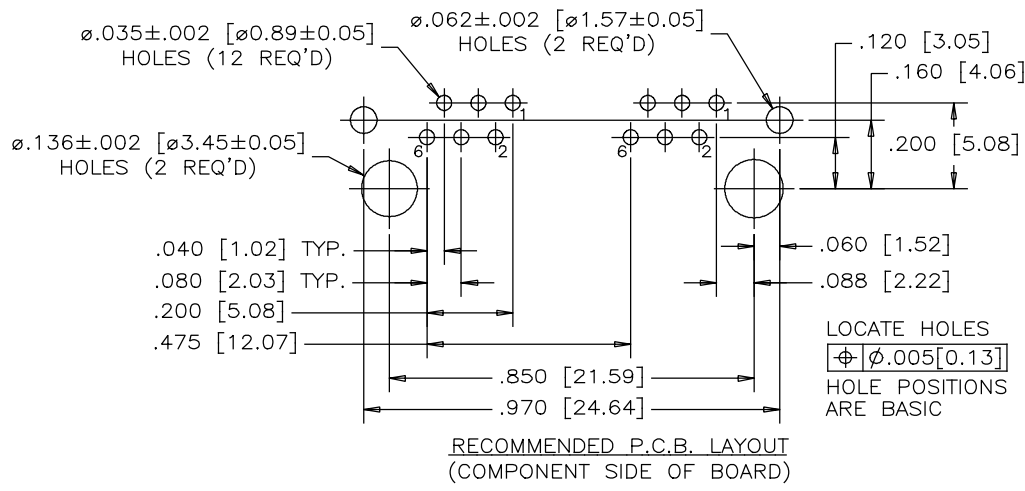
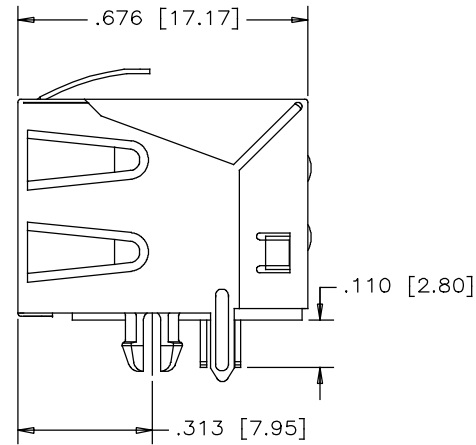
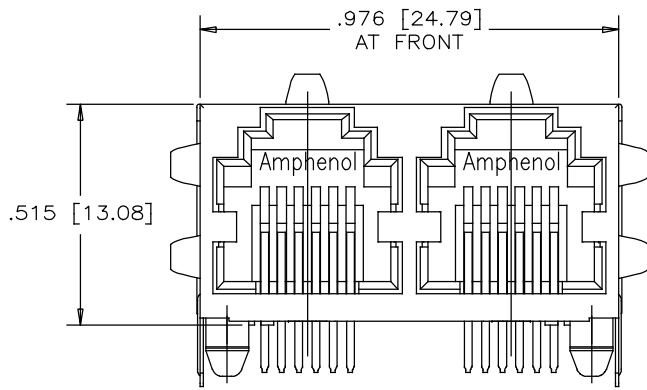


| REVISIONS | | | |
|-----------|---------------------------|----------|--------|
| REV | DESCRIPTION, ECN, EAR NO. | DATE | APP'D |
| A | PROPOSAL DRAWING | OCT08/14 | L.CHAN |
| B | PROPOSAL DRAWING | FEB04/16 | L.CHAN |
| C | PROPOSAL DRAWING | APR05/16 | L.CHAN |



MATERIALS:

PLASTIC HOUSING: HIGH TEMPERATURE RESISTANT NYLON
UL FLAMMABILITY RATING 94V-0.
SOLDER REFLOW PROCESS COMPATIBLE.

CONTACTS: PHOSPHOR BRONZE

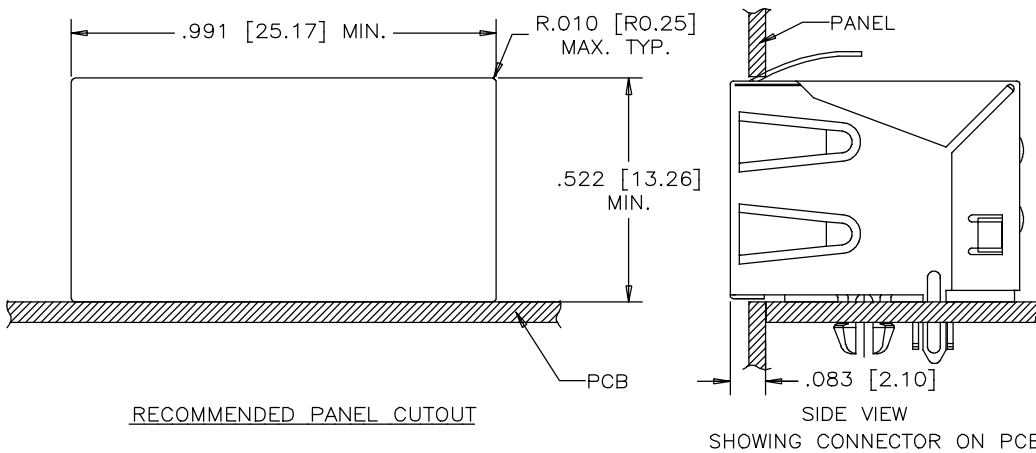
CONTACT PLATING: GOLD PLATED ON MATING SURFACES.
(SEE PART NO. FOR THICKNESS).
50 MICROINCHES [1.27 MICRONS] MIN.
NICKEL UNDERPLATE
100 MICROINCHES [2.54 MICRONS] MIN.
MATTE TIN ON CONTACT TAILS.

SHIELD: COPPER ALLOY; NICKEL PLATED WITH TIN DIPPED
PCB TAILS.

RECOMMENDED SOLDERING TEMPERATURE:
WAVE SOLDERING OR REFLOW SOLDERING AT 260°C
MAXIMUM FOR 5 SEC MAXIMUM.

AMPHENOL PART NUMBER: RJE01-X62-02

GOLD PLATING:
1= RJ45 CONTACT 6u"
G= RJ45 CONTACT 15u"
J= RJ45 CONTACT 30u"
6= RJ45 CONTACT 50u"



| | | | | |
|----------------------------|------------------------|--------|----------|---|
| UNLESS SPECIFIED OTHERWISE | DRAWN | F.WANG | OCT08/14 | Amphenol Canada Corp. www.amphenolcanada.com |
| PRIMARY UNITS INCHES | CHECKED | L.Chan | OCT08/14 | |
| SECONDARY MILLIMETERS | M.E. APP'D | | | HIGH SPEED MODULAR JACK, 2 PORT, 6 POSITION, 6 CONTACTS, SHIELD WITH PCB TAILS—RoHS COMPLIANT |
| REFERENCE IN PARENTHESES | Q.A. APP'D | | | |
| GENERAL TOLERANCES FOR MM | DWG APP'D | | | DWG NO. P-RJE01-X62-02 |
| 1 DECIMAL PLACE ±0.025 | ENG. REL. NO. | | | |
| 2 DECIMAL PLACE ±0.020 | REF. | | | REV C |
| 3 DECIMAL PLACE ±0.015 | THIRD ANGLE PROJECTION | | | |
| ANGULAR DEGREES ±1.5° | DO NOT SCALE DRAWING | | | CODE ID NO. 03554 DWG SIZE: C SCALE: N/A SHEET 1 OF 1 |

THIS DOCUMENT CONTAINS PROPRIETARY INFORMATION AND SUCH INFORMATION MAY NOT BE DISCLOSED TO OTHERS FOR ANY PURPOSE OR USED FOR MANUFACTURING PURPOSES WITHOUT WRITTEN PERMISSION FROM AMPHENOL CANADA CORP.

Mouser Electronics

Authorized Distributor

Click to View Pricing, Inventory, Delivery & Lifecycle Information:

Amphenol:

[RJE0162001](#) [RJE01G4502](#) [RJE0112502](#) [RJE0164502](#) [RJE01G6502](#) [RJE01J4501](#) [RJE01J4002](#) [RJE01G2501](#)
[RJE0114201](#) [RJE01J6502](#) [RJE01G2002](#) [RJE0116202](#) [RJE01G6201](#) [RJE01G4002](#) [RJE0162501](#) [RJE0162202](#)
[RJE01J2201](#) [RJE0114502](#) [RJE01G2001](#) [RJE01J4001](#) [RJE0112501](#) [RJE0112002](#) [RJE01G4501](#) [RJE0116201](#)
[RJE0164101](#) [RJE0116502](#) [RJE01G2202](#) [RJE01J6501](#) [RJE01G4001](#) [RJE01J2502](#) [RJE0162201](#) [RJE01J6002](#)
[RJE0164201](#) [RJE01G6002](#) [RJE0114002](#) [RJE0112001](#) [RJE01G4202](#) [RJE0116002](#) [RJE0166502](#) [RJE0164501](#)
[RJE0164002](#) [RJE0116501](#) [RJE01G2201](#) [RJE01J2501](#) [RJE01G6001](#) [RJE01J2002](#) [RJE01G6501](#) [RJE0112202](#)
[RJE01G6202](#) [RJE0164102](#) [RJE01J6001](#) [RJE0164202](#) [RJE0114001](#) [RJE0162002](#) [RJE01J4201](#) [RJE01J2202](#)
[RJE01J4202](#) [RJE0112201](#) [RJE0116001](#) [RJE01J4502](#) [RJE01J2001](#) [RJE01J6201](#) [RJE0162502](#) [RJE01G4201](#)
[RJE0114501](#) [RJE01J6202](#) [RJE0166501](#) [RJE01G2502](#) [RJE0114202](#) [RJE0164001](#)