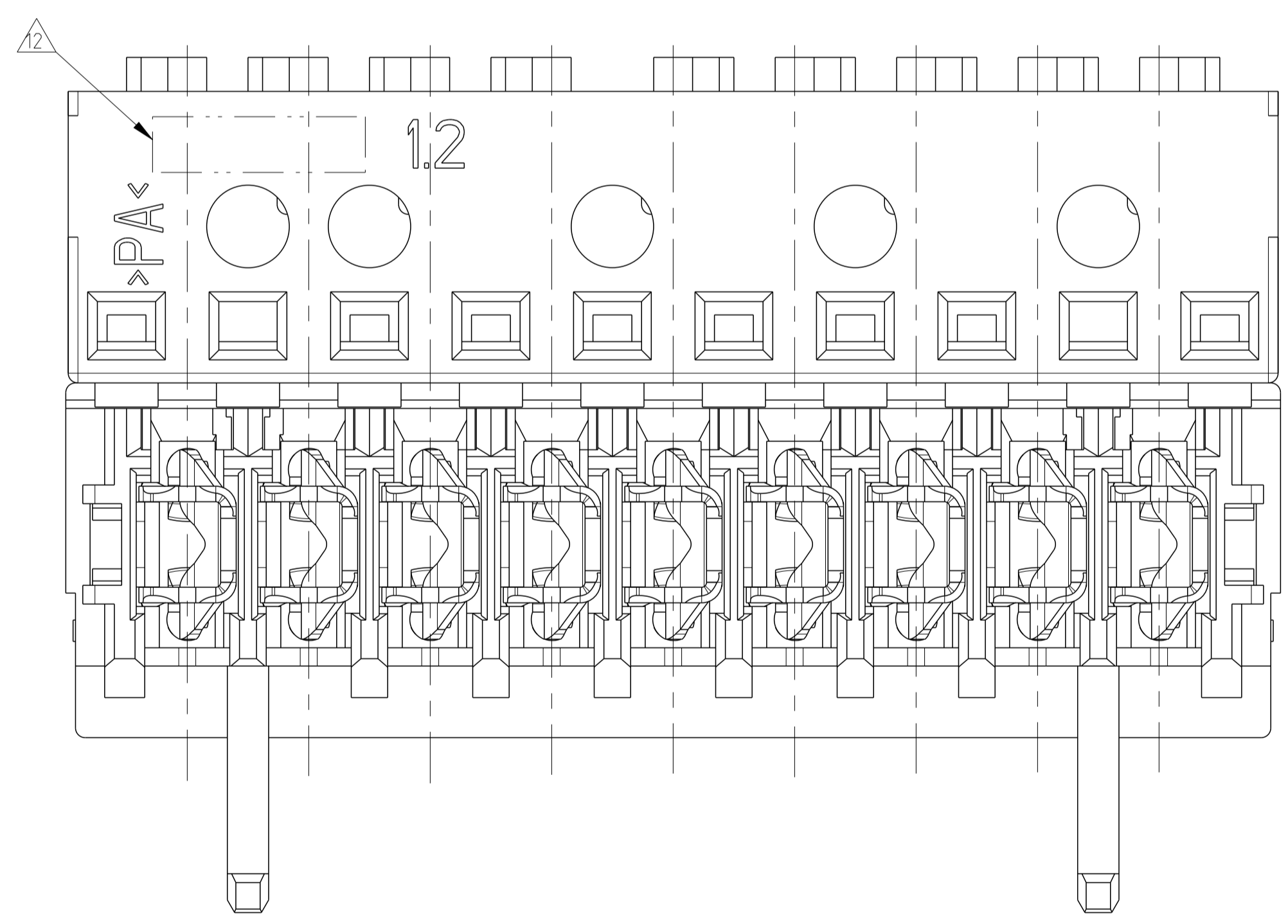
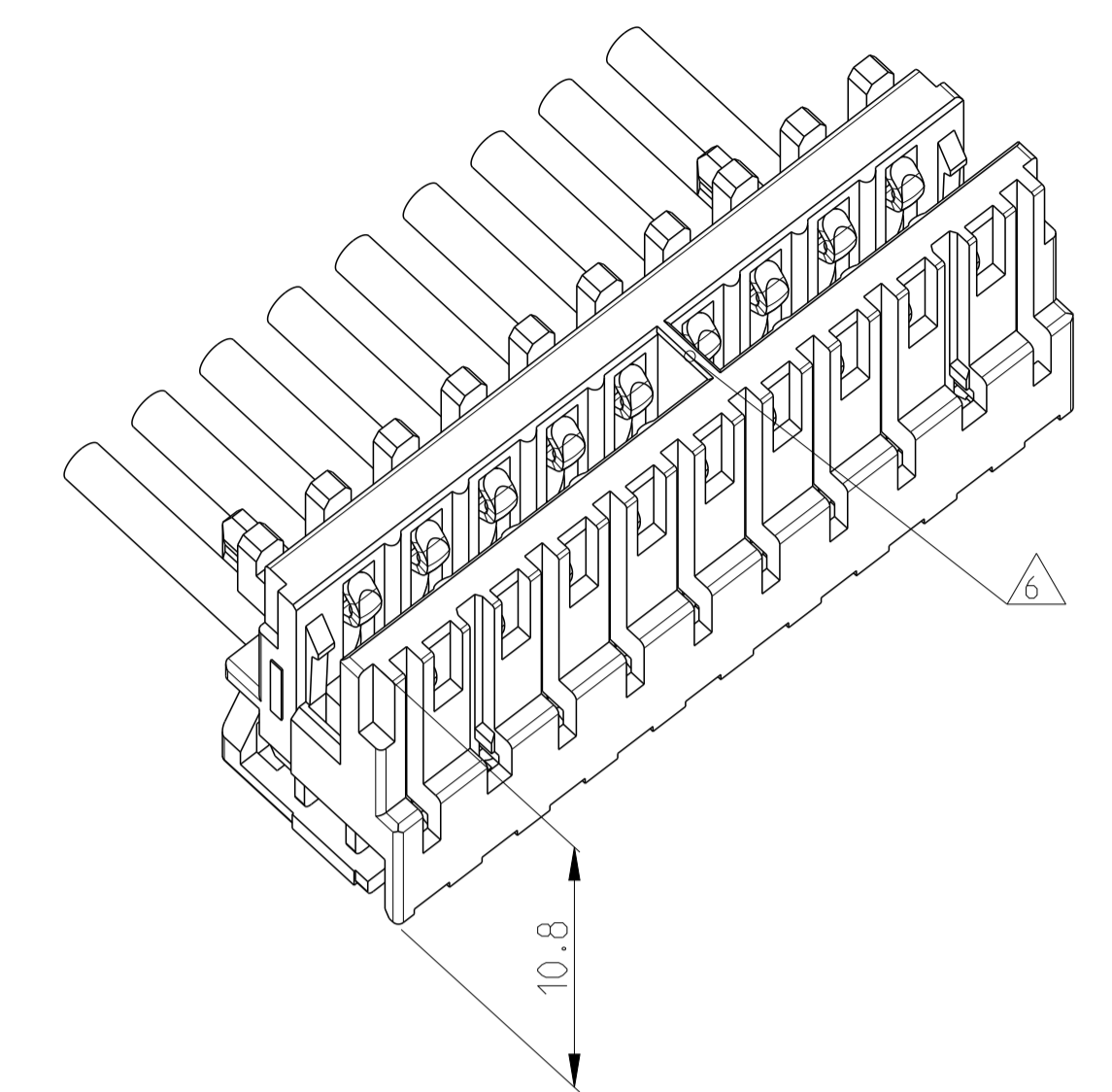


LOC	DIST	REVISIONS			
		REV	DATE	BY	APPV
A1	-	C3	02FEB2012	C.J	R.P
		C4	01JUN2016	KD	RR
		C5	28JUN2016	KD	RR
		C6	17JAN2018	KD	RR



- 15 HOUSING COLOUR: SIMILAR RAL 5024
- 14 PRELIMINARY - NOT RELEASED FOR PRODUCTION
- 13 COLOR MARKING ON TOP OF THE COVER
- 12 TE LOGO
- 8 - 11 SEE SHEET 2
siehe Blatt 2
- 7 RESERVED FOR BASIC NO. 1 740 155
Fuer Basisnummer 1 740 155 reserviert
- 6 POLARIZATION RIB BETWEEN CAVITY NO. ...
Polarisierungsrippe zwischen Kammer Nr. ...
- 5 LOCKING HOOK BETWEEN BEFORE CAVITY NO. 1 AND AFTER LAST CAVITY
Rasthaken vor Kammer Nr. 1 und letzter Kammer
- 4 WIRE RANGE: 0.22-0.35mm²
Drahtgroebenbereich: 0.22-0.35mm²
- 3 IEC 60695-2-1 / IEC60335-1 GLOW WIRE TEST 750 °C WITHOUT FLAME
IEC 60695-2-1 / IEC60335-1 Gluehdrahttest 750 °C ohne Flamme
- 2 MATING PART: SEE PCB LAYOUT
Passender Gegenstecker: Siehe Leiterplattenanschluss
- 1 KEYING RIBS; CUTTING WITH TERMINATION MACHINE POSSIBLE
Kodierrippe; Schneiden auf der Verarbeitungsmaschine moeglich

OBSOLETE

Color Code	POS. Polzahl	DIM A	DIM B	POLARIZATION	PN Bestell-Nr.
Green	3	5	9.9	2+3	14 8-1740154-3 15
	3	5	9.9	2+3	14 7-1740154-3
	3	5	9.9	-	14 6-1740154-3
	8	17.5	22.4	5 + 6	14 1-1740154-8
	6	12.5	17.4	4 + 5	14 1-1740154-6
	5	10	14.9	-	14 2-1740154-5
	5	10	14.9	4 + 5	14 1-1740154-5
	4	7.5	12.4	1 + 2	14 1-1740154-4
Blue	3	5	9.9	2 + 3	14 1-1740154-3
	6	12.5	17.4	-	9-1740154-6
OBSOLETE	5	10	14.9	-	9-1740154-5
	3	5	9.9	-	9-1740154-3
	20	47.5	52.4	9 + 10	-
	19	45	49.9	9 + 10	-
	18	42.5	47.4	8 + 9	-
	17	40	44.9	8 + 9	-
	16	37.5	42.4	7 + 8	7 -
	15	35	39.9	7 + 8	-
	14	32.5	37.4	6 + 7	-
	13	30	34.9	6 + 7	-
12	27.5	32.4	5 + 6	-	
11	25	29.9	5 + 6	-	
10	22.5	27.4	4 + 5	-	
9	20	24.9	4 + 5	-	
8	17.5	22.4	3 + 4	-	
7	15	19.9	3 + 4	-	
6	12.5	17.4	2 + 3	-	
5	10	14.9	2 + 3	-	
4	7.5	12.4	1 + 2	-	
3	5	9.9	1 + 2	-	

POS.	PN Bestell-Nr.	DESCRIPTION Beschreibung	MATERIAL	COLOUR/FINISH Farbe/Oberflaeche
2	SEE TABLE	CONTACT/Kontakt	CuSn	TINNED/verzinkt
1	siehe Tabelle	HOUSING/Federleistengeh.	PA 6 GF UL94-V2	NATUR/Natur

THIS DRAWING IS A CONTROLLED DOCUMENT.

DIMENSIONS: mm

TOLERANCES UNLESS OTHERWISE SPECIFIED:

0 PLC	±0.2
1 PLC	±0.2
2 PLC	±0.2
3 PLC	±0.2
4 PLC	±0.2
ANGLES	±0.1

MATERIAL: SEE TABLE

FINISH: SEE TABLE

OWN: H. Karabiyik 05MAR2004

CHK: B. Schnaubelt 05MAR2004

APPV: T. Klenner 05MAR2004

PRODUCT SPEC: -

APPLICATION SPEC: -

WEIGHT: -

CUSTOMER DRAWING: -

SCALE: 10:1

SHEET 1 OF 2

REV: C6

NAME: AMP DUOPLUG MKII FEMALE CONNECTOR 3-20 POSITION WITH PCB LOCKING

SIZE: A1

CAGE CODE: 00779

DRAWING NO: C=1740154

RESTRICTED TO: -

TE Connectivity

Mouser Electronics

Authorized Distributor

Click to View Pricing, Inventory, Delivery & Lifecycle Information:

[TE Connectivity:](#)

[9-1740154-6](#)