

THIS DRAWING IS UNPUBLISHED.

RELEASED FOR PUBLICATION

© COPYRIGHT -

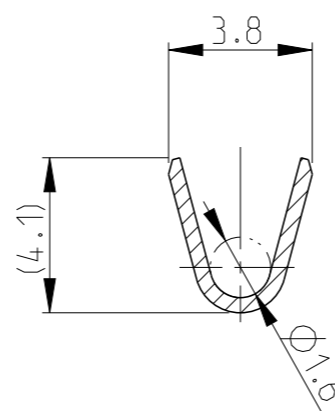
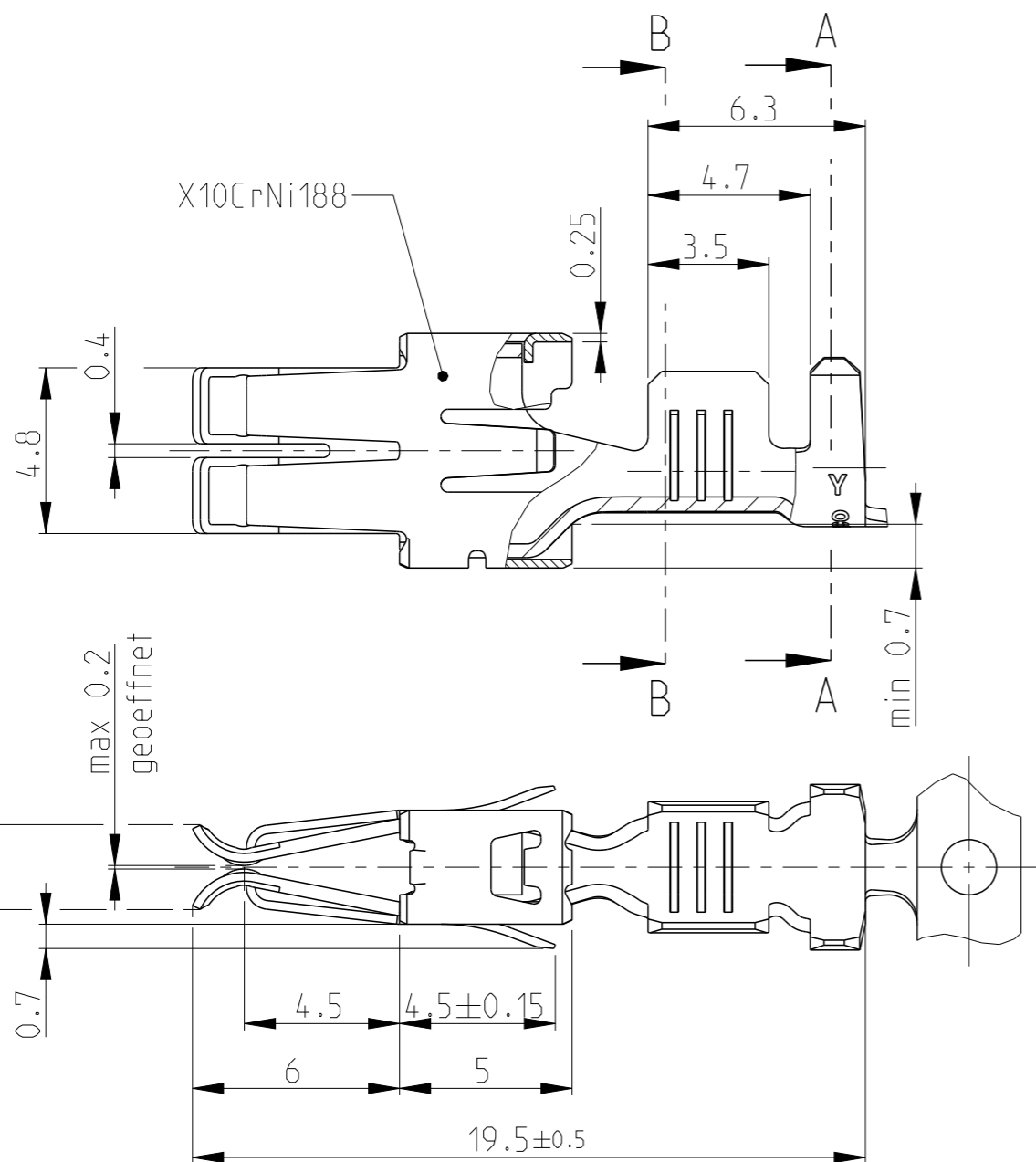
ALL RIGHTS RESERVED.

LOC
A1

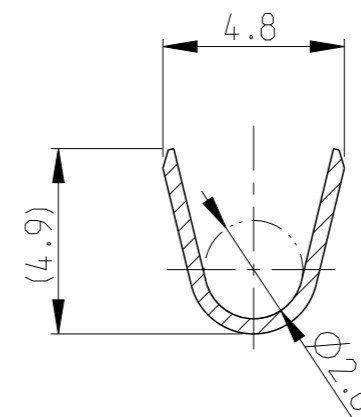
DIST
-

REVISIONS

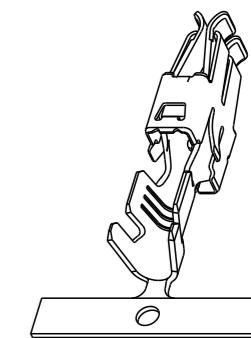
P	LTR	DESCRIPTION	DATE	DWN	APVD
C5	ECR-16-004045		24MAR2016	KD	RR
C6	ECR-16-010013		19JUL2016	KD	RR
C7	ECR-16-013486		26SEP2016	KD	RR
C8	ECR-17-005237		11APR2017	IZ	RR



B-B



A-A



2:1

Notes

1 OBSOLETE

2 PRELIMINARY - NOT RELEASED FOR PRODUCTION

3 CONTACT ZONE SELECTIVE
PRE SILVER PLATED MIN 1-1.5 µm

2.5	1	1241826-5	vorversilbert/PRESILVERED	CuFe2	964203-5	C
2.5	1	1241826-4	vorversilbert/PRESILVERED 1-1.5 µm	CuSn4	964203-4	C
2.5	1	1241826-3	vorversilbert/PRESILVERED 3-4.5 µm	CuSN4	964203-3	C
2.5	1	1241826-2	vorverzinkt/PRETINNED	CuSN4	964203-2	C
2.5	1	1241826-1	vorverzinkt/PRETINNED	CuFe2	964203-1	C
A		LP NO	FINISH	MATERIAL	PART NO.	REV

INSUL. RANGE Ø2.2-3.0 mm	WIRE RANGE >1-2.5 mm ²
--------------------------------	---

THIS DRAWING IS A CONTROLLED DOCUMENT.

DIMENSIONS: mm	TOLERANCES UNLESS OTHERWISE SPECIFIED: ±0.2
MATERIAL -	FINISH -

DWN ATZMANN	06.01.94
CHK BARTOSCH	18.01.94
APVD Bleicher, M.	28.11.07
PRODUCT SPEC	108-18025
APPLICATION SPEC	114-18037
WEIGHT	0.82 g

STE TE Connectivity

NAME
STANDARD POWER TIMER KONTAKT
(Gerade Tulpe)

SIZE A3	CAGE CODE 00779	DRAWING NO C-964203	RESTRICTED TO -
------------	--------------------	------------------------	--------------------

Customer Drawing	SCALE 5:1	SHEET 1 OF 9	REV C8
------------------	--------------	-----------------	-----------

THIS DRAWING IS UNPUBLISHED.

RELEASED FOR PUBLICATION

© COPYRIGHT -

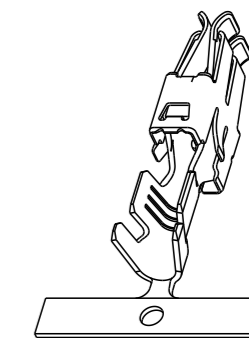
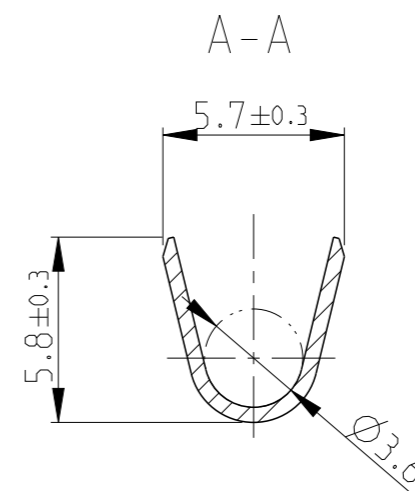
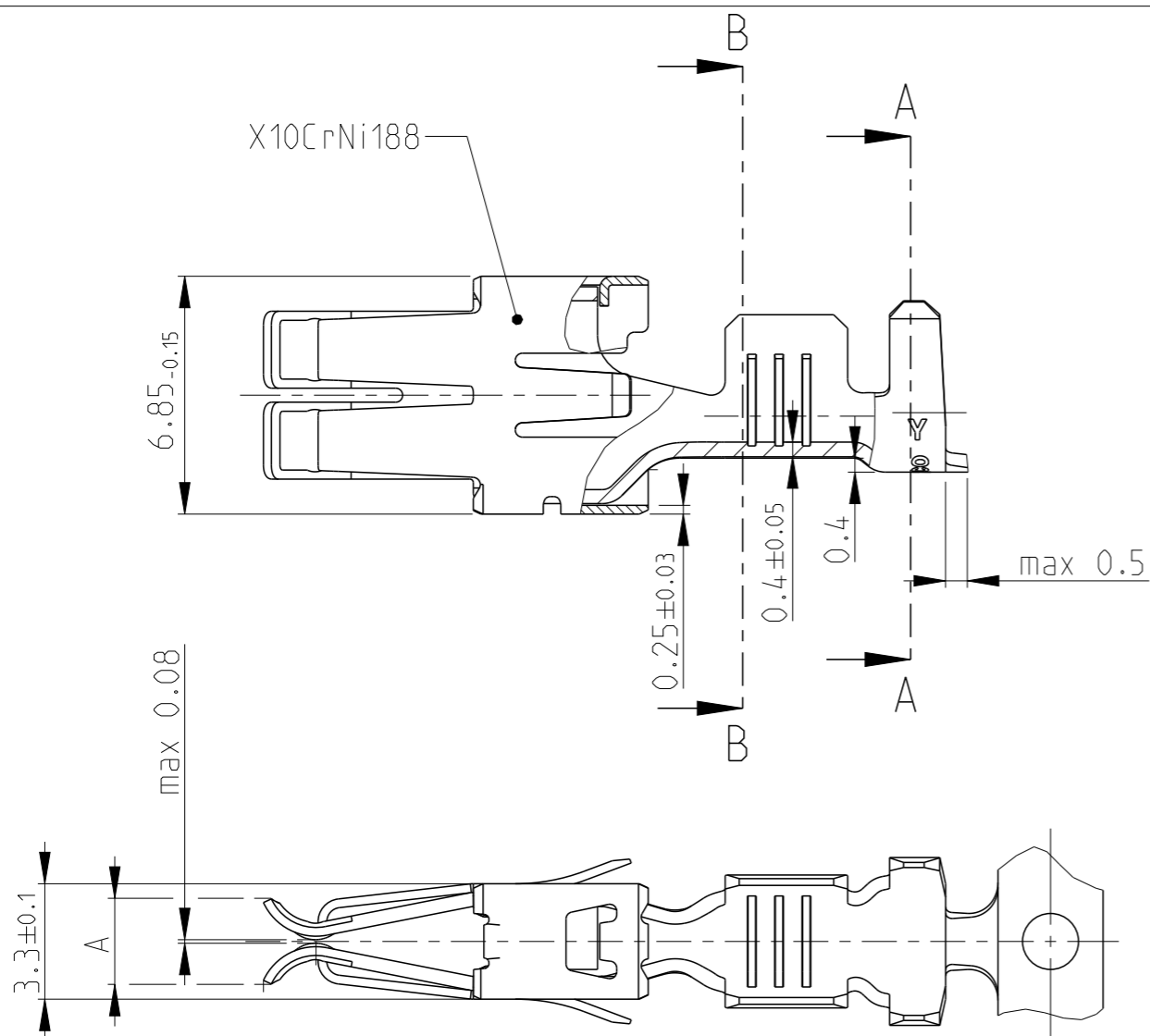
ALL RIGHTS RESERVED.

LOC DIST

REVISIONS

P	LTR	DESCRIPTION	DATE	DWN	APVD
-	-	SEE SHEET 1	-	-	-

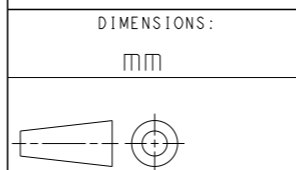
ONLY FOR 3-927833-1 & 3-927833-2
OTHER DIMENSIONS SEE SHEET 1



2:1

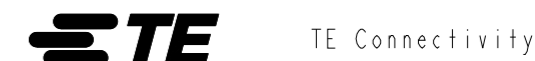
INSUL. RANGE \varnothing 2.7-3.7 mm	WIRE RANGE >1-2.5 mm ²	2.3 \pm 0.15	-	PRETINNED	CuSn4	3-927833-2	A
		2.3 \pm 0.15	-	PRETINNED	CuFe2	3-927833-1	A
		A	LP NO	FINISH	MATERIAL	PART NO.	REV

THIS DRAWING IS A CONTROLLED DOCUMENT.



DIMENSIONS:	TOLERANCES UNLESS OTHERWISE SPECIFIED:
mm	
	0 PLC \pm
	1 PLC \pm
	2 PLC \pm \pm 0.2
	3 PLC \pm
	4 PLC \pm
	ANGLES \pm 1°
MATERIAL	FINISH
-	-

DWN	ATZMANN	06.01.94
CHK	BARTOSCH	18.01.94
APVD	Bleicher, M.	28.11.07
PRODUCT SPEC	108-18025	
APPLICATION SPEC	114-18037	
WEIGHT	0.82 g	



NAME			
STANDARD POWER TIMER KONTAKT (Gerade Tulpe)			
SIZE	CAGE CODE	DRAWING NO	RESTRICTED TO
A3	00779	C=964203	-

Customer Drawing	SCALE	5:1	SHEET	2 OF 9	REV	C8
------------------	-------	-----	-------	--------	-----	----

THIS DRAWING IS UNPUBLISHED.

RELEASED FOR PUBLICATION

© COPYRIGHT -

ALL RIGHTS RESERVED.

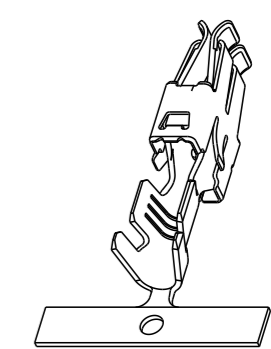
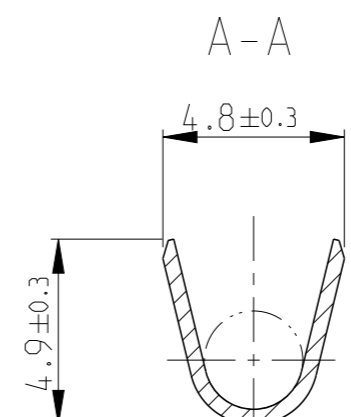
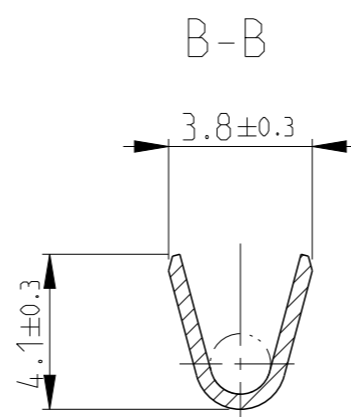
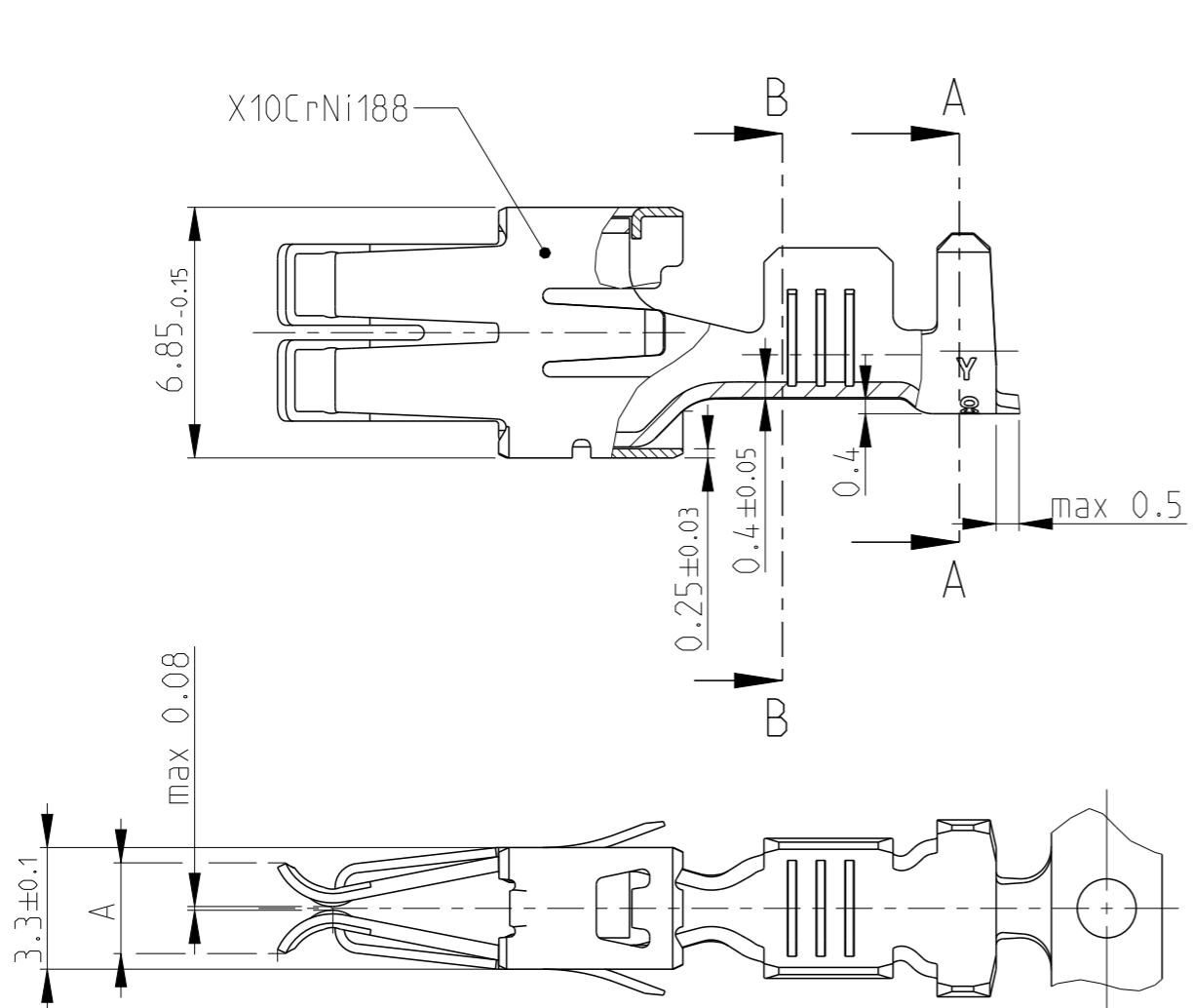
LOC DIST

REVISIONS

P	LTR	DESCRIPTION	DATE	DWN	APVD
-	-	SEE SHEET 1	-	-	-

ONLY FOR 3-927837-1, 3-927837-2,
3-927837-4 & 3-927837-5

OTHER DIMENSIONS SEE SHEET 1



2:1

INSUL. RANGE Ø2.2-3.0 mm	WIRE RANGE >1-2.5 mm ²
--------------------------------	---

2.3 ± 0.15	-	PRESILVERED	\triangle_3	CuFe2	3-927837-5	A
2.3 ± 0.15	-	PRESILVERED	\triangle_3	CuSn4	3-927837-4	A
2.3 ± 0.15	-	PRETINNED		CuSn4	3-927837-2	A
2.3 ± 0.15	-	PRETINNED		CuFe2	3-927837-1	A
A	LP NO	FINISH	MATERIAL	PART NO.	REV	

THIS DRAWING IS A CONTROLLED DOCUMENT.

DIMENSIONS: mm	TOLERANCES UNLESS OTHERWISE SPECIFIED: ±0.2 ±1°
MATERIAL	FINISH

DWN	ATZMANN	06.01.94
CHK	BARTOSCH	18.01.94
APVD	Bleicher, M.	28.11.07
PRODUCT SPEC	108-18025	
APPLICATION SPEC	114-18037	
WEIGHT	0.82 g	

STE TE Connectivity			
NAME STANDARD POWER TIMER KONTAKT (Gerade Tulpe)			
SIZE	CAGE CODE	DRAWING NO	RESTRICTED TO
A3	00779	C-964203	-

Customer Drawing	SCALE	5:1	SHEET	3 OF 9	REV	C8
------------------	-------	-----	-------	--------	-----	----

4

3

2

1

THIS DRAWING IS UNPUBLISHED.

RELEASED FOR PUBLICATION

© COPYRIGHT -

ALL RIGHTS RESERVED.

LOC DIST

REVISIONS

P	LTR	DESCRIPTION	DATE	DWN	APVD
-	-	SEE SHEET 1	-	-	-

ONLY FOR 3-927824-1 & 3-927824-2
OTHER DIMENSIONS SEE SHEET 1

X10CrNi188

6.85 \pm 0.15

6.8

5.2

4

0.25 \pm 0.03

0.4 \pm 0.05

0.6

max 0.5

max 0.08

3.3 \pm 0.1

B-B

4.6 \pm 0.3

4.8 \pm 0.3

ϕ 2.4

A-A

6.3 \pm 0.3

6.6 \pm 0.3

ϕ 4.0

2:1

INSUL. RANGE ϕ 3.3-4.5 mm	WIRE RANGE >2.5-4.0 >mm ²	2.3 \pm 0.15	-	PRETINNED	CuSn4	3-927824-2	A
		2.3 \pm 0.15	-	PRETINNED	CuFe2	3-927824-1	A
		A	LP NO	FINISH	MATERIAL	PART NO.	REV
THIS DRAWING IS A CONTROLLED DOCUMENT.		DWN ATZMANN	06.01.94	TE Connectivity NAME STANDARD POWER TIMER KONTAKT (Gerade Tulpe)			
DIMENSIONS: mm		CHK BARTOSCH	18.01.94				
TOLERANCES UNLESS OTHERWISE SPECIFIED:		APVD Bleicher, M.	28.11.07	PRODUCT SPEC			
		108-18025		APPLICATION SPEC			
0 PLC \pm 1 PLC \pm 2 PLC \pm 0.2 3 PLC \pm 4 PLC \pm ANGLES \pm °		114-18037		WEIGHT			
MATERIAL		-		Customer Drawing			
FINISH		-		SCALE 5:1			
				SHEET 4 OF 9			
				REV 8			

1470-19 (3/11)

THIS DRAWING IS UNPUBLISHED.

RELEASED FOR PUBLICATION

© COPYRIGHT -

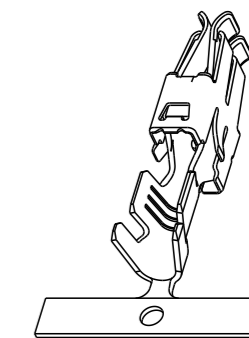
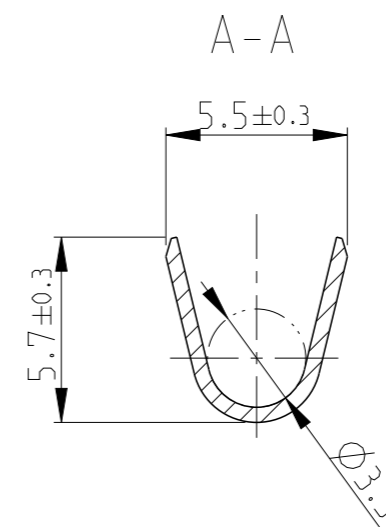
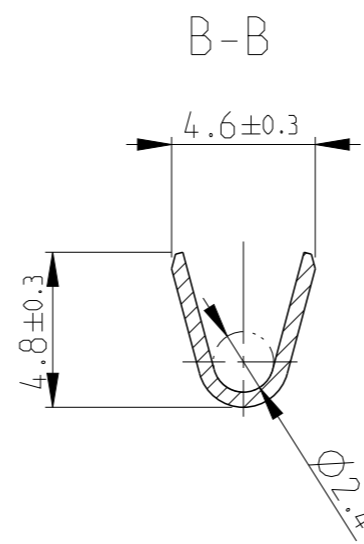
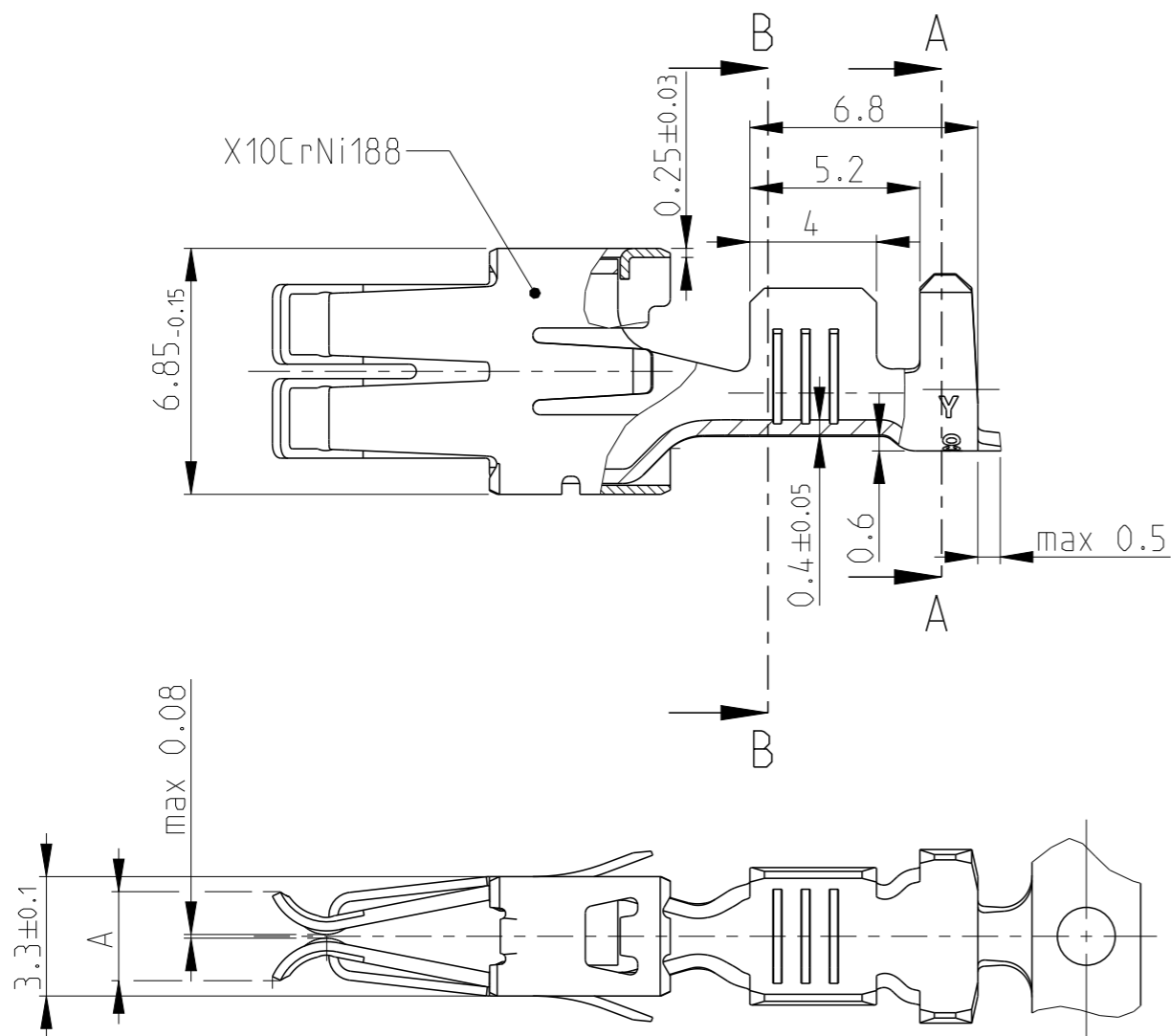
ALL RIGHTS RESERVED.

LOC DIST

REVISIONS

P	LTR	DESCRIPTION	DATE	DWN	APVD
-	-	SEE SHEET 1	-	-	-

ONLY FOR 3-927829-1 & 3-927829-5,
OTHER DIMENSIONS SEE SHEET 1



2:1

INSUL. RANGE ϕ 2.7-3.7 mm	WIRE RANGE >2.5-4.0 mm ²	2.3 \pm 0.15	-	PRESILVERED \triangle 3	CuFe2	3-927829-5	A
		2.3 \pm 0.15	-	PRETINNED	CuFe2	3-927829-1	A
		A	LP NO	FINISH	MATERIAL	PART NO.	REV

THIS DRAWING IS A CONTROLLED DOCUMENT.

DWN ATZMANN 06.01.94

CHK BARTOSCH 18.01.94

APVD Bleicher, M. 28.11.07

PRODUCT SPEC

108-18025

APPLICATION SPEC

114-18037

WEIGHT

0.82 g

STE TE Connectivity

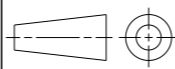
NAME STANDARD POWER TIMER KONTAKT (Gerade Tulpe)

SIZE CAGE CODE DRAWING NO RESTRICTED TO

A3 00779 C-964203

Customer Drawing SCALE 5:1 SHEET 5 OF 9 REV C8

DIMENSIONS:
mm



TOLERANCES UNLESS OTHERWISE SPECIFIED:

0 PLC	\pm	\pm 0.2
1 PLC	\pm	
2 PLC	\pm	
3 PLC	\pm	
4 PLC	\pm	\pm 1°
ANGLES	\pm	
FINISH	-	

MATERIAL

-

FINISH

-

THIS DRAWING IS UNPUBLISHED.

RELEASED FOR PUBLICATION

© COPYRIGHT -

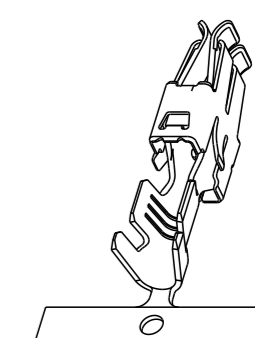
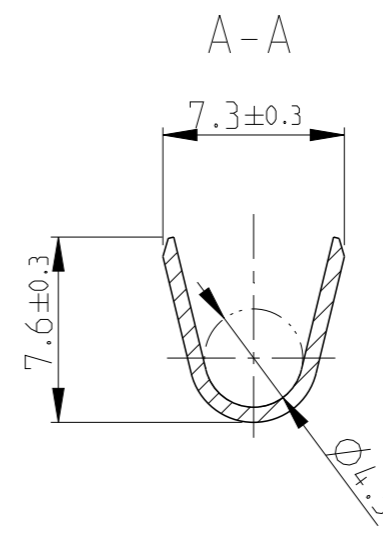
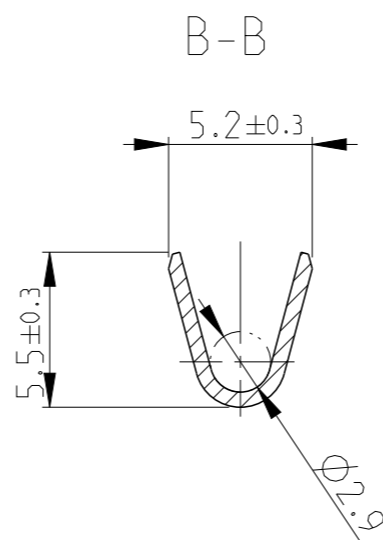
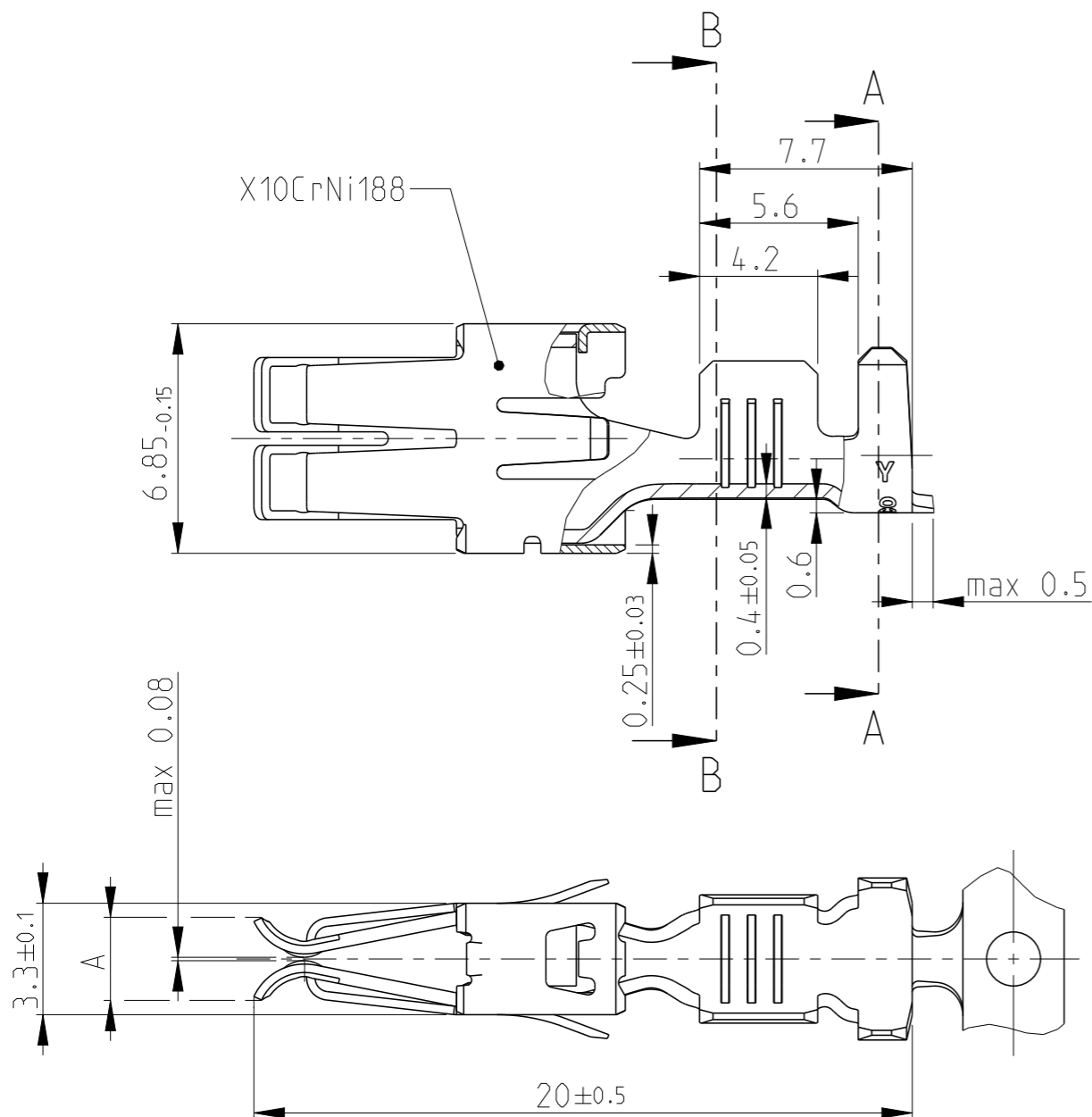
ALL RIGHTS RESERVED.

LOC DIST

REVISIONS

P	LTR	DESCRIPTION	DATE	DWN	APVD
-	-	SEE SHEET 1	-	-	-

ONLY FOR 3-963709-1
OTHER DIMENSIONS SEE SHEET 1



2:1

INSUL. RANGE Ø4.0-5.2 mm	WIRE RANGE 4.0-6.0 mm ²	2.3±0.15	-	PRETINNED	CuFe2	3-963709-1	A
A		LP NO	FINISH	MATERIAL	PART NO.	REV	

THIS DRAWING IS A CONTROLLED DOCUMENT.

DIMENSIONS: mm	TOLERANCES UNLESS OTHERWISE SPECIFIED: ±0.2
	0 PLC ±
	1 PLC ±
	2 PLC ±
	3 PLC ±
	4 PLC ±
	ANGLES ±1°
MATERIAL	FINISH
-	-

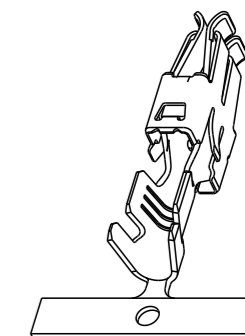
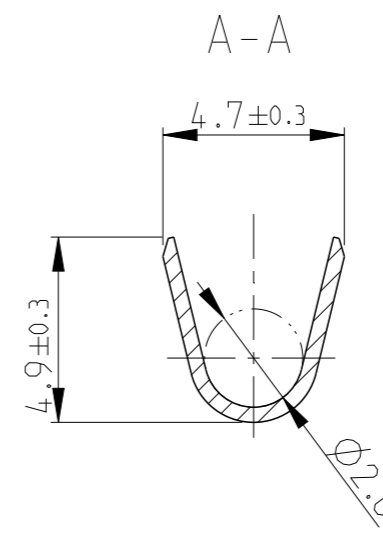
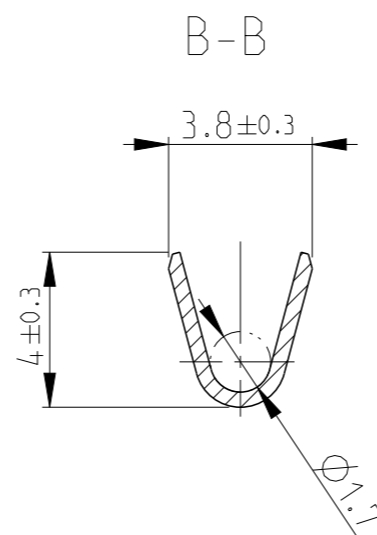
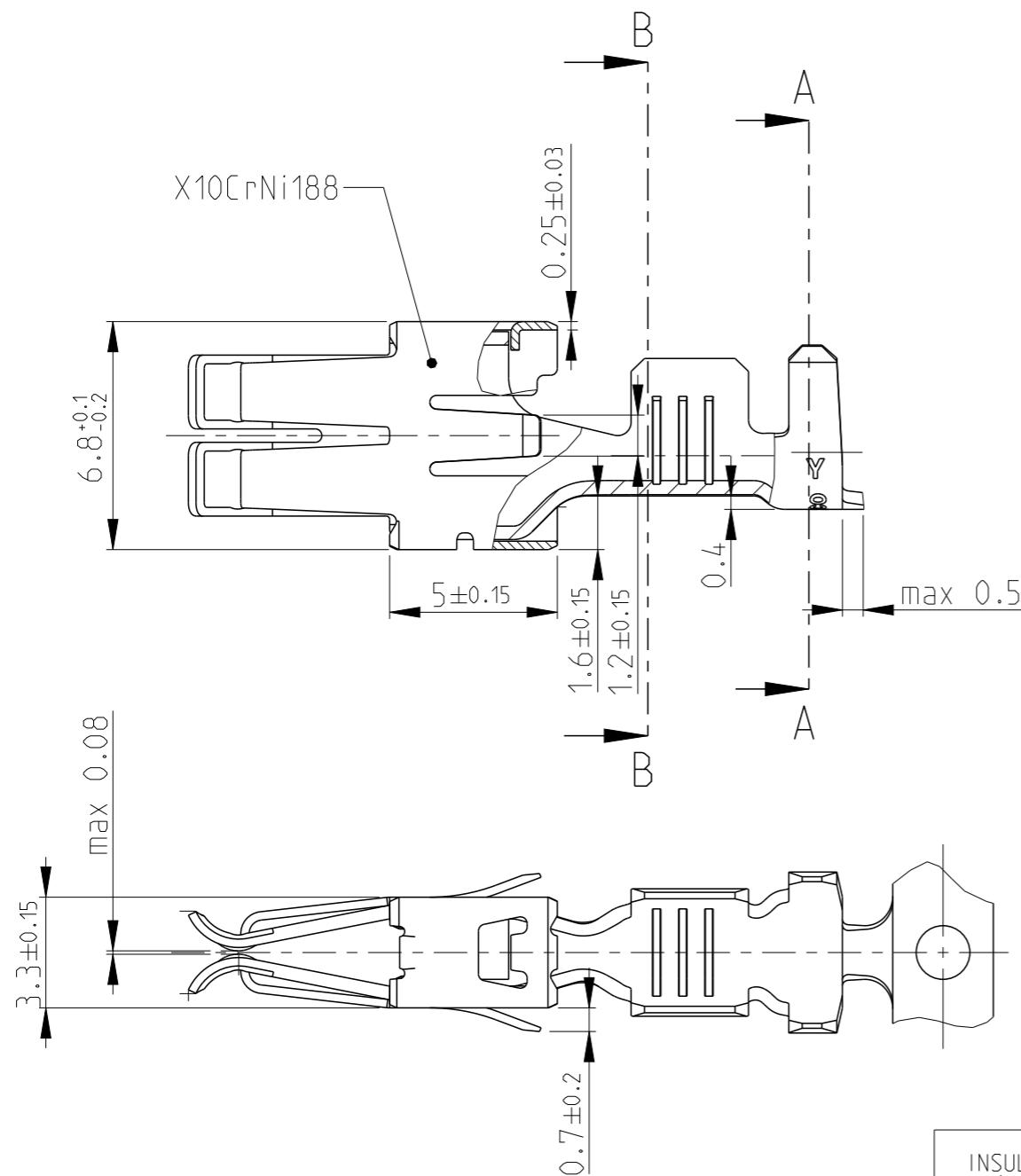
DWN	ATZMANN	06.01.94
CHK	BARTOSCH	18.01.94
APVD	Bleicher, M.	28.11.07
PRODUCT SPEC	108-18025	
APPLICATION SPEC	114-18037	
WEIGHT	0.82 g	

TE Connectivity NAME STANDARD POWER TIMER KONTAKT (Gerade Tulpe)				RESTRICTED TO	
				-	
SIZE	CAGE CODE	DRAWING NO	-		
A3	00779	964203	-		

Customer Drawing	SCALE 5:1	SHEET 6 OF 9	REV 8
------------------	-----------	--------------	-------

P	LTR	DESCRIPTION	DATE	DWN	APVD
-	-	SEE SHEET 1	-	-	-

ONLY FOR 3-964326-1
OTHER DIMENSIONS SEE SHEET 1

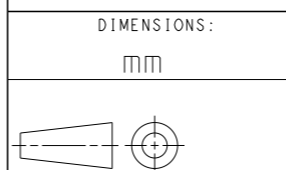


2:1

INSUL. RANGE Ø2.2-3.0 mm	WIRE RANGE >1.0-2.5 mm ²
--------------------------------	---

-	PRETINNED	CuFe2	3-964326-1	A
LP NO	FINISH	MATERIAL	PART NO.	REV

THIS DRAWING IS A CONTROLLED DOCUMENT.



DIMENSIONS:	TOLERANCES UNLESS OTHERWISE SPECIFIED:
mm	±0.2
0 PLC	±
1 PLC	±
2 PLC	±
3 PLC	±
4 PLC	±
ANGLES	±1°

MATERIAL	FINISH
-	-

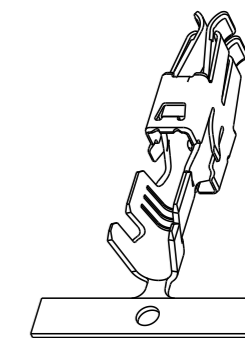
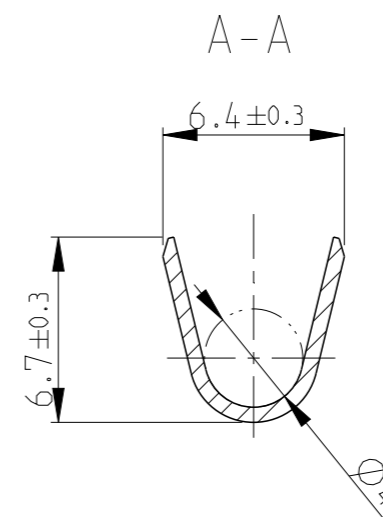
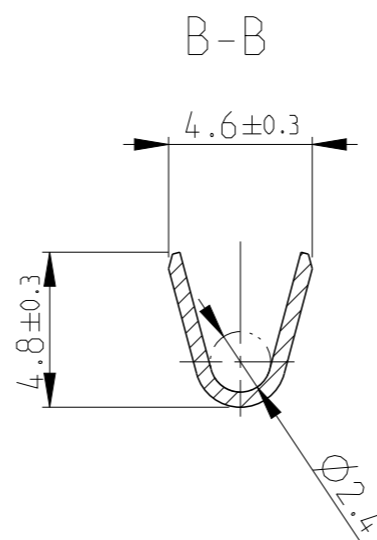
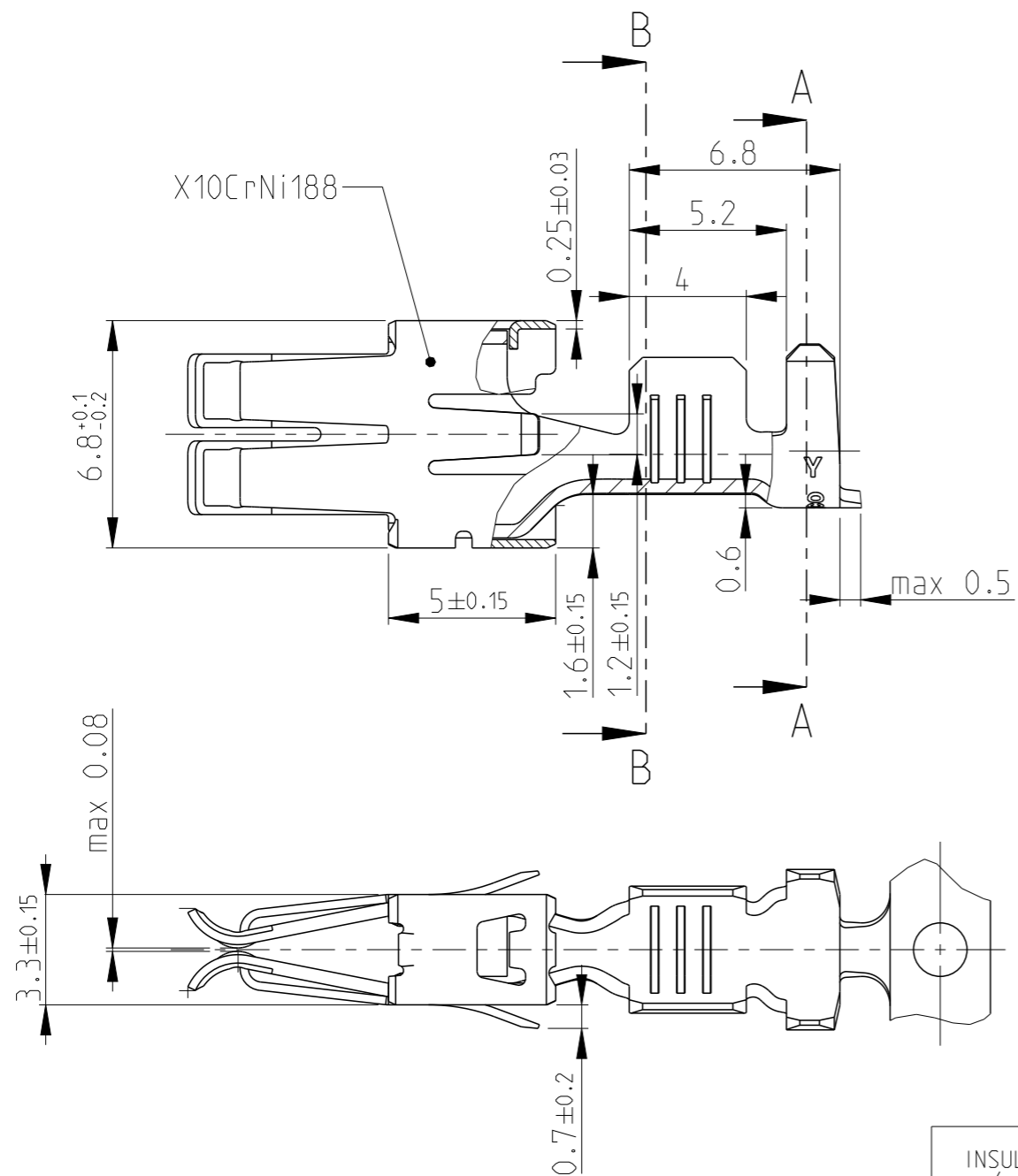
DWN	06.01.94
ATZMANN	
CHK	18.01.94
BARTOSCH	
APVD	28.11.07
Bleicher, M.	
PRODUCT SPEC	108-18025
APPLICATION SPEC	114-18037
WEIGHT	0.82 g

TE Connectivity		NAME	
		STANDARD POWER TIMER KONTAKT (Gerade Tulpe)	
SIZE	CAGE CODE	DRAWING NO	RESTRICTED TO
A3	00779	964203	-

Customer Drawing	SCALE	SHEET	REV
	5:1	7 OF 9	8

P	LTR	DESCRIPTION	DATE	DWN	APVD
-	-	SEE SHEET 1	-	-	-

ONLY FOR 3-964328-1
OTHER DIMENSIONS SEE SHEET 1



2:1

INSUL. RANGE Ø 3.3-4.5 mm	WIRE RANGE >2.5-4.0 mm ²
---------------------------------	---

THIS DRAWING IS A CONTROLLED DOCUMENT.

DIMENSIONS: mm	TOLERANCES UNLESS OTHERWISE SPECIFIED: ±0.2 ±1°
MATERIAL	FINISH

-	PRETINNED	CuFe2	3-964328-1	A
LP NO	FINISH	MATERIAL	PART NO.	REV
DWN ATZMANN 06.01.94	CHK BARTOSCH 18.01.94	APVD Bleicher, M. 28.11.07	NAME STANDARD POWER TIMER KONTAKT (Gerade Tulpe)	
PRODUCT SPEC 108-18025	APPLICATION SPEC 114-18037	WEIGHT 0.82 g	SIZE A3	CAGE CODE 00779
Customer Drawing			DRAWING NO C-964203	RESTRICTED TO
SCALE 5:1		SHEET 8 OF 9		REV C8



THIS DRAWING IS UNPUBLISHED.

RELEASED FOR PUBLICATION

© COPYRIGHT -

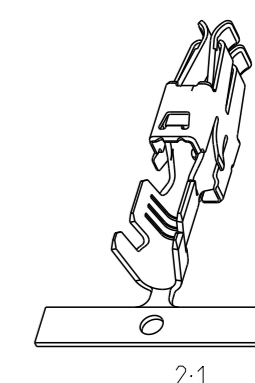
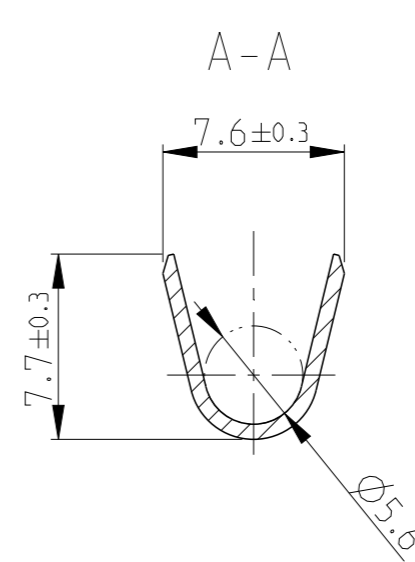
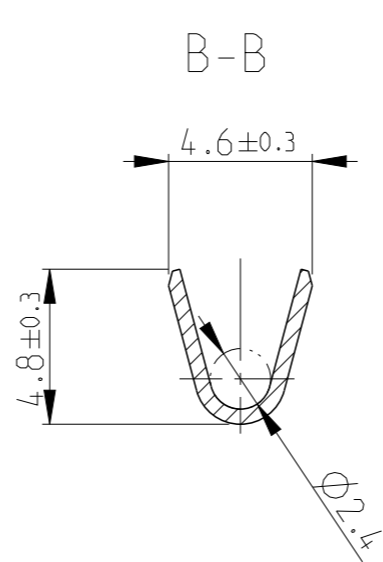
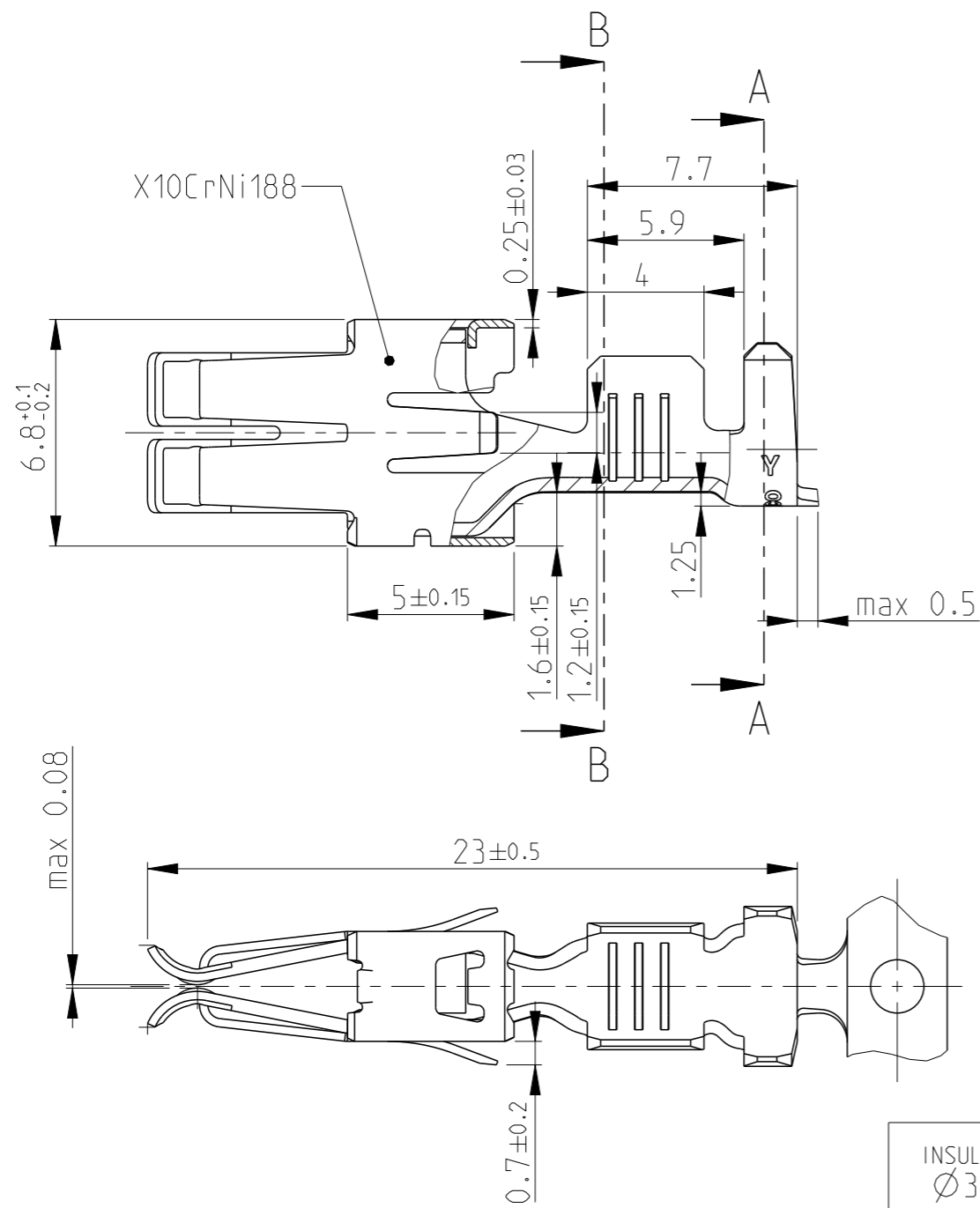
ALL RIGHTS RESERVED.

LOC DIST

REVISIONS

P	LTR	DESCRIPTION	DATE	DWN	APVD
-	-	SEE SHEET 1	-	-	-

ONLY FOR 3-968037-2
OTHER DIMENSIONS SEE SHEET 1



INSUL. RANGE Ø3.4-3.7 mm	WIRE RANGE >2.5-4.0 mm ²
--------------------------------	---

THIS DRAWING IS A CONTROLLED DOCUMENT.

DIMENSIONS: mm	TOLERANCES UNLESS OTHERWISE SPECIFIED: ±0.2
	0 PLC ± 1 PLC ± 2 PLC ± 3 PLC ± 4 PLC ±
MATERIAL	FINISH
-	-

-	PRETINNED	CuSn4	3-968037-2	A
LP NO	FINISH	MATERIAL	PART NO.	REV
DWN ATZMANN	06.01.94	TE Connectivity NAME STANDARD POWER TIMER KONTAKT (Gerade Tulpe)		
CHK BARTOSCH	18.01.94			
APVD Bleicher, M.	28.11.07			
PRODUCT SPEC 108-18025				
APPLICATION SPEC 114-18037	WEIGHT 0.82 g	SIZE A3	CAGE CODE 00779	DRAWING NO G-964203
Customer Drawing	SCALE 5:1	SHEET 9 OF 9	REV C8	RESTRICTED TO -

Mouser Electronics

Authorized Distributor

Click to View Pricing, Inventory, Delivery & Lifecycle Information:

[TE Connectivity:](#)

[964203-5](#)