

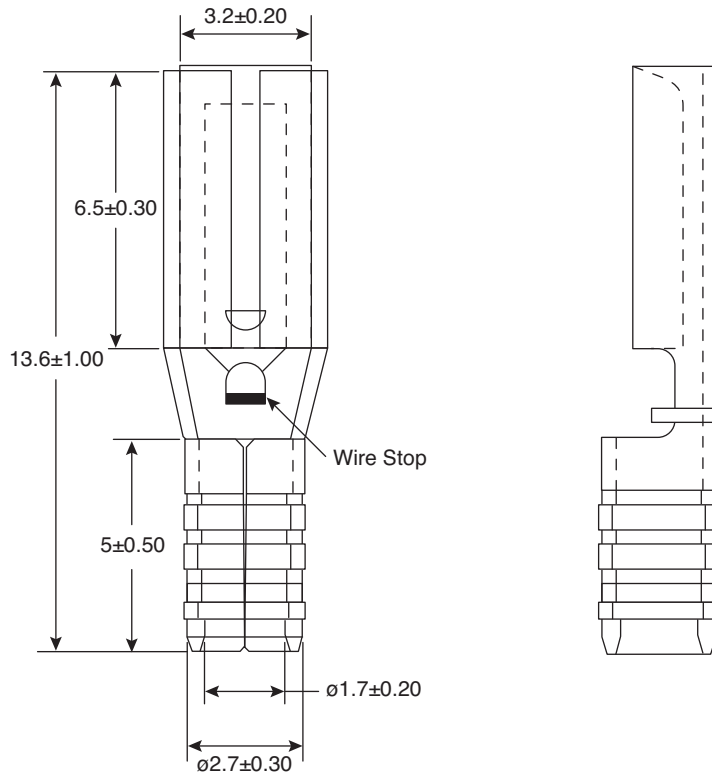
Butted Seam Non-Insulated Disconnect

159-2235



Butted Seam Non-Insulated Disconnect

Dimensions: mm



Maximum Electric Current				
AWG	22	20	18	16
AMP	3	4	7	10

SPECIFICATIONS	
Wire Range:	22-16 AWG (0.5-1.5mm ²)
NEMA Tab:	0.020 in. x 0.110 in. (0.5mm x 2.80mm)
Surface Treatment:	Tin Plated
Thickness:	0.30mm
Material:	Brass

Tolerance unless otherwise specified	
0 >6mm ± 0.20	ANGLE
6 >18mm ± 0.30	0° > ° REF ±
18 >30mm ± 0.40	° > ° ±
30 >75mm ± 0.50	° > ° ±

Date Last Revised: 3/19/09

Available from Mouser Electronics
1-800-346-6873
www.mouser.com

KC-300717

159-2235

Mouser Electronics

Authorized Distributor

Click to View Pricing, Inventory, Delivery & Lifecycle Information:

[Kobiconn:](#)

[159-2235](#)