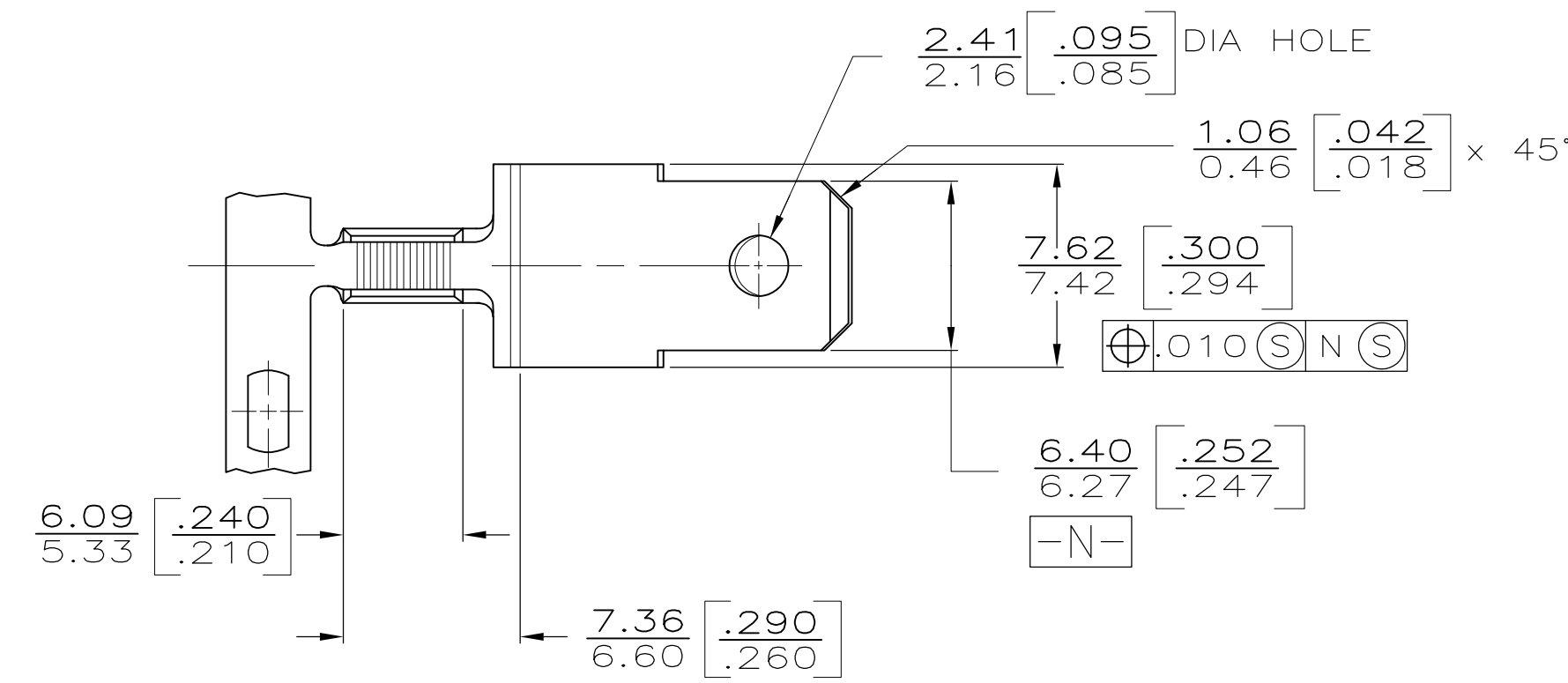
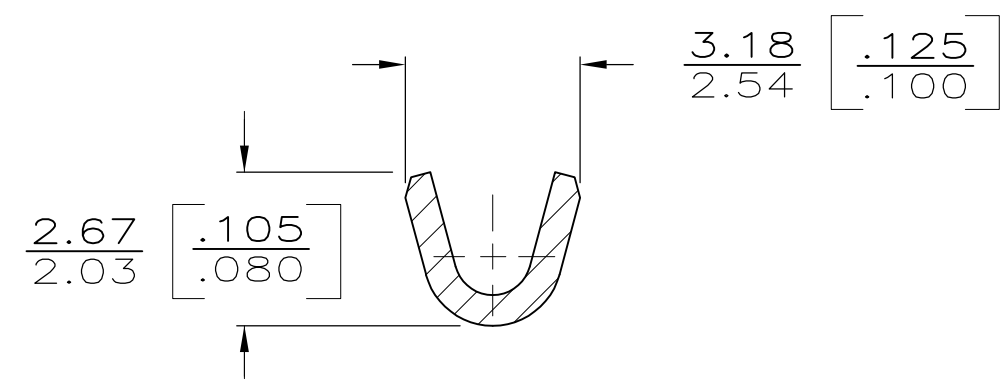
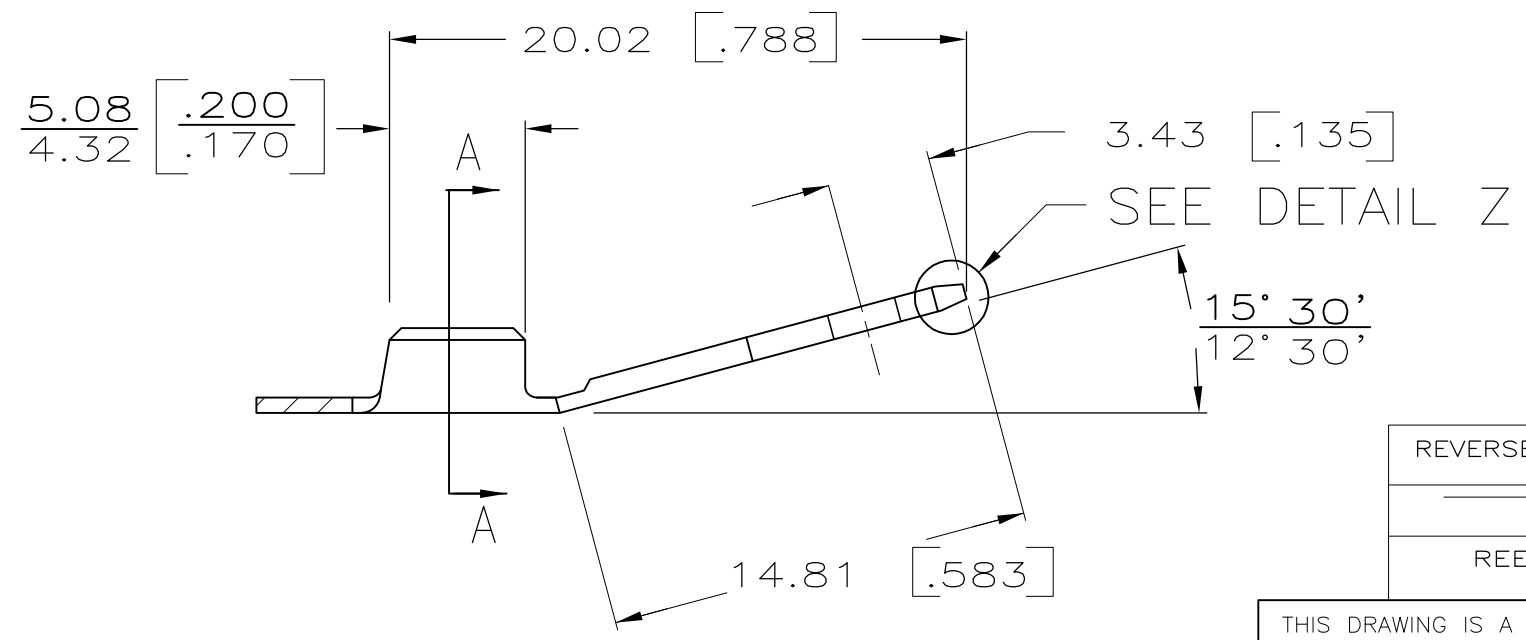


THIS DRAWING IS UNPUBLISHED. RELEASED FOR PUBLICATION
 © COPYRIGHT - By TYCO ELECTRONICS CORPORATION. ALL RIGHTS RESERVED.

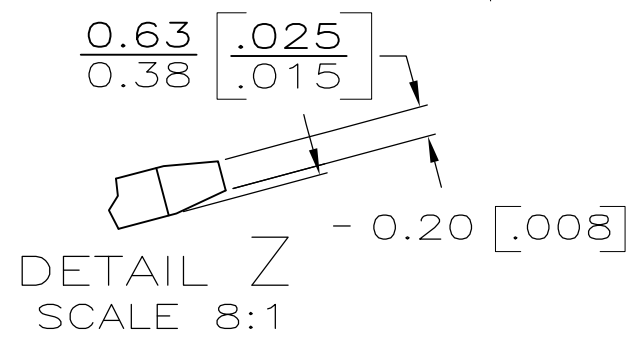
| LOC | DIST | REVISIONS | | | |
|-----|------|-------------|--------------------------|-----------|--------|
| P | LTR | DESCRIPTION | DATE | DWN | APVD |
| AF | 50 | N | REVISE PER ECR-13-013738 | 15FEB2014 | GRZ JL |



1- DIMENSIONS IN BRACKETS ARE IN INCHES.
 2- CONTINUOUS STRIP ON REELS.



SECTION A-A



METRIC

| | | | |
|--------------|--|------------------|-------------|
| REVERSE REEL | 0.81 ^{±0.025} [.032] ±.001 PRE-MILLED | 0.91-0.57 MM DIA | 63165-2 |
| | TO 0.51 ^{±0.025} [.020] ±.001 | [19-23] | 63165-1 |
| REELING | MATERIAL | WIRE BARREL | PART NUMBER |

| | | | | |
|--|--|-----------------------|--|--------------------|
| THIS DRAWING IS A CONTROLLED DOCUMENT. | | DWN JR RUTH 3-21-86 | TE Connectivity .250 FASTON AMPLIVAR TAB | |
| DIMENSIONS: INCHES | | CHK G YETTER 3-21-86 | | |
| TOLERANCES UNLESS OTHERWISE SPECIFIED: | | APVD C MEYERS 3-21-86 | | |
| 0 PLC ± - 1 PLC ± - 2 PLC ± - 3 PLC ± .010 4 PLC ± - ANGLES ± - | | NAME | | |
| MATERIAL BRASS | | FINISH TIN | PRODUCT SPEC R KUZO 3-21-86 | SIZE A3 |
| | | | APPLICATION SPEC | CAGE CODE 00779 |
| | | | WEIGHT - | DRAWING NO C-63165 |
| | | | CUSTOMER DRAWING | RESTRICTED TO - |
| | | | SCALE NTS | SHEET 1 OF 1 |
| | | | | REV N |

Mouser Electronics

Authorized Distributor

Click to View Pricing, Inventory, Delivery & Lifecycle Information:

[TE Connectivity:](#)

[63165-1](#) [63165-1 \(Mouser Reel\)](#)