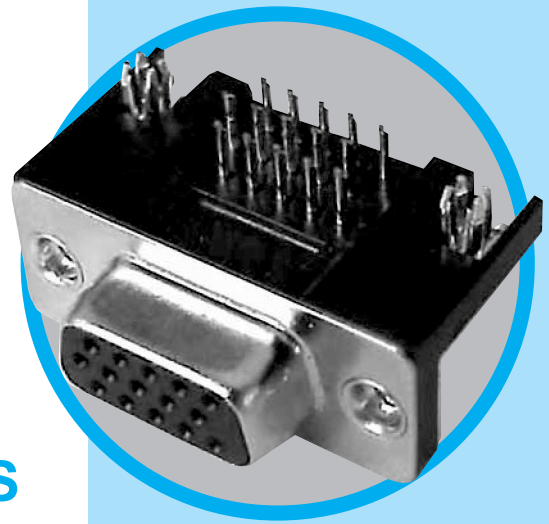


# HD

D-Sub connectors - Stamped and Formed Contacts



## RIGHT ANGLE HIGH DENSITY CONNECTORS

MAIN CHARACTERISTICS

### Specifications

- Connectors according to: MIL C24308

Materials and Platings	
<b>Shells</b>	Steel with nickel plating
<b>Body</b>	Glass filled thermoplastic, UL 94V-0
<b>Contacts</b>	Copper alloy, selective gold plating
<b>Rear insert</b>	Brass with nickel plating
<b>Screwlock</b>	Brass with nickel plating
<b>Grounding clip</b>	Copper alloy with tin plating

Electrical Data	
<b>Current rating</b>	5A
<b>Voltage rating</b>	600V AC/rms 50Hz
<b>Withstanding voltage</b>	1000V AC/rms 50HZ for one minute
<b>Insulation resistance</b>	5000MΩ
<b>Contact resistance</b>	10mΩ Max.

Climatic Data	
<b>Operating temperature</b>	-55°C to +125°C

Mechanical Data		
<b>Mating and unmating force</b>		
Unit: kg (lb)		
No. of Cts	Mate (max)	Unmate (min)
15	3.81 (8.42)	0.52 (1.14)
26	5.95 (13.16)	1.05 (2.32)
44	9.26 (20.46)	1.37 (3.02)
62	13.48 (29.78)	1.76 (3.88)
<b>Standard plating thickness</b>		
<ul style="list-style-type: none"> <li>• gold flash</li> <li>• 0.4µm (15µ") gold</li> <li>• 0.76µm (30µ") gold</li> </ul>		

DESCRIPTION

Amphenol's high density D-Sub connectors complement Amphenol's extensive D-Sub connector line. This line offers many superior features, high performance level and low installation cost.

The decreased contact spacing accommodates greater signal density in comparison to conventional D-Sub connectors.

*Economical  
right angle PCB*

APPLICATIONS

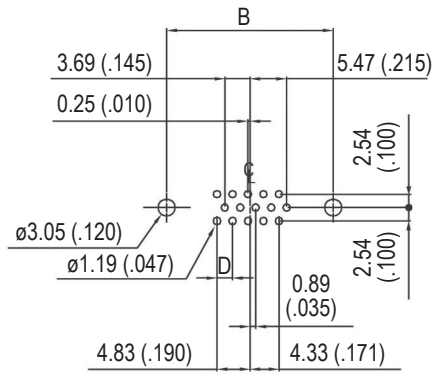
- Industrial
- Telecom
- Any industry standard I/O connections



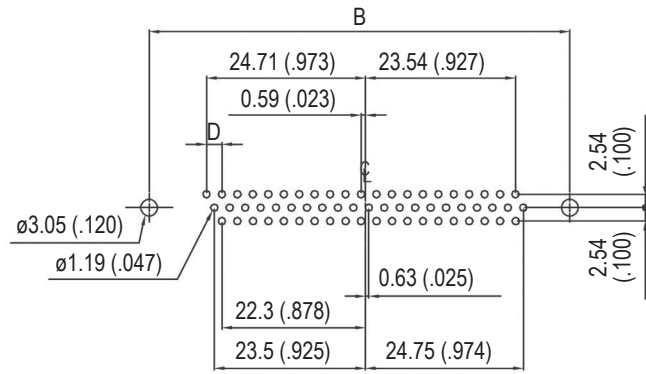
Amphenol

HD / E19

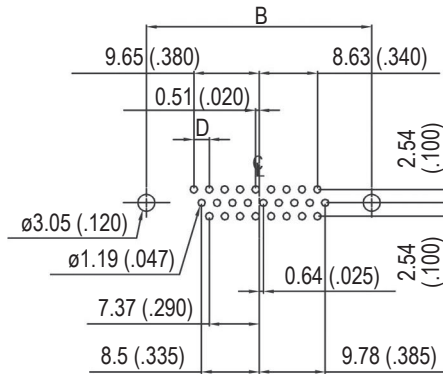
## P.C.B. Layout



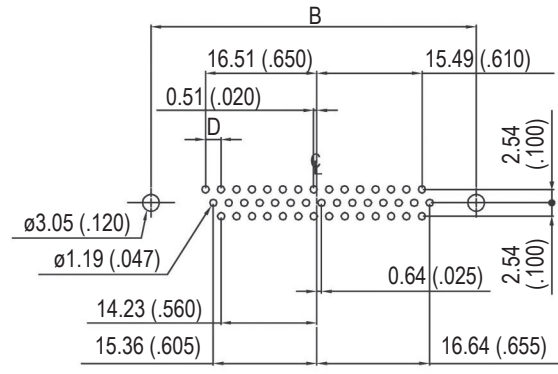
**15 PIN**



**62 PIN**

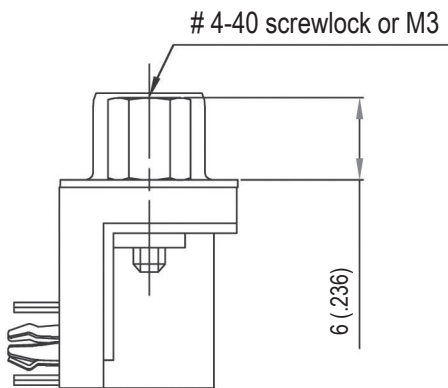


**26 PIN**

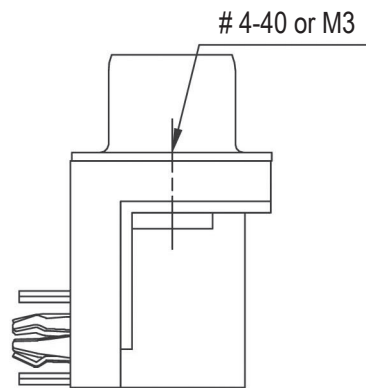


**44 PIN**

## Panel mounting option

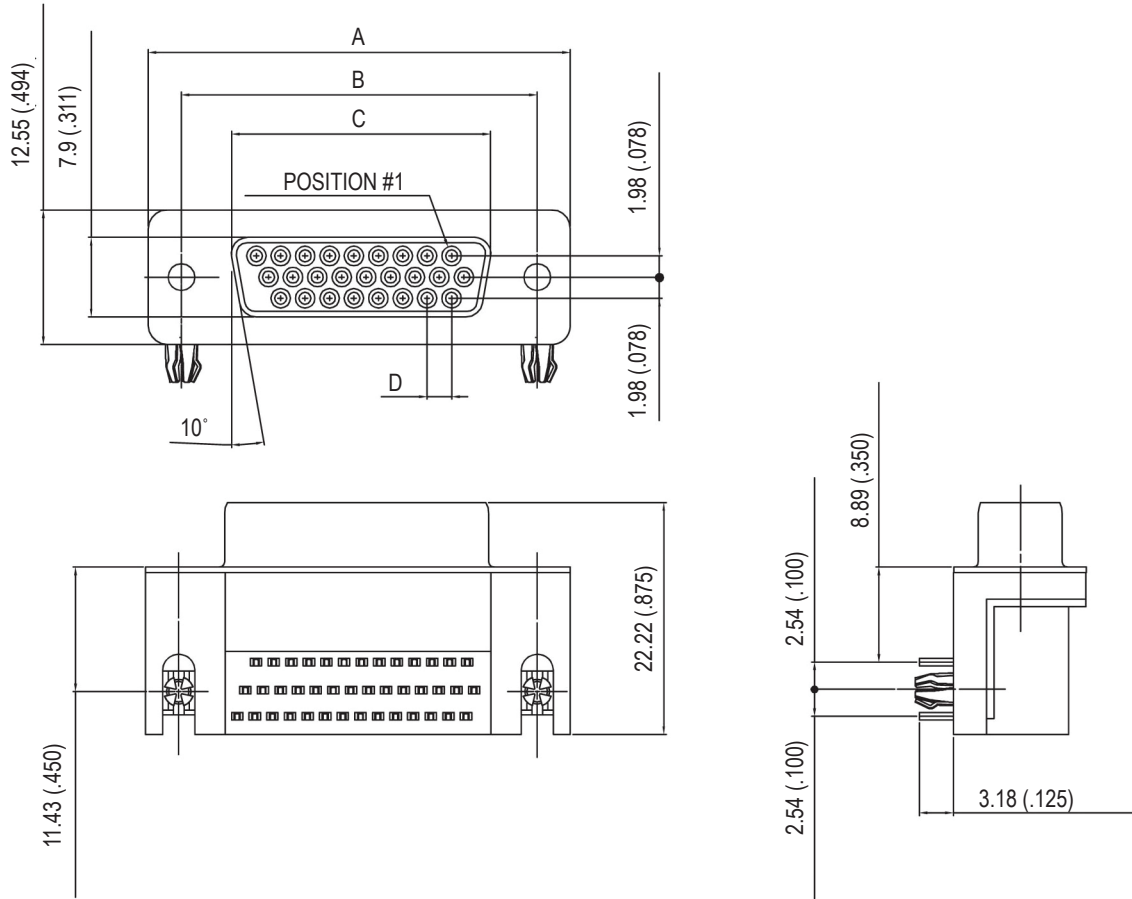


**Front female screwlock**  
**4F / 3F**



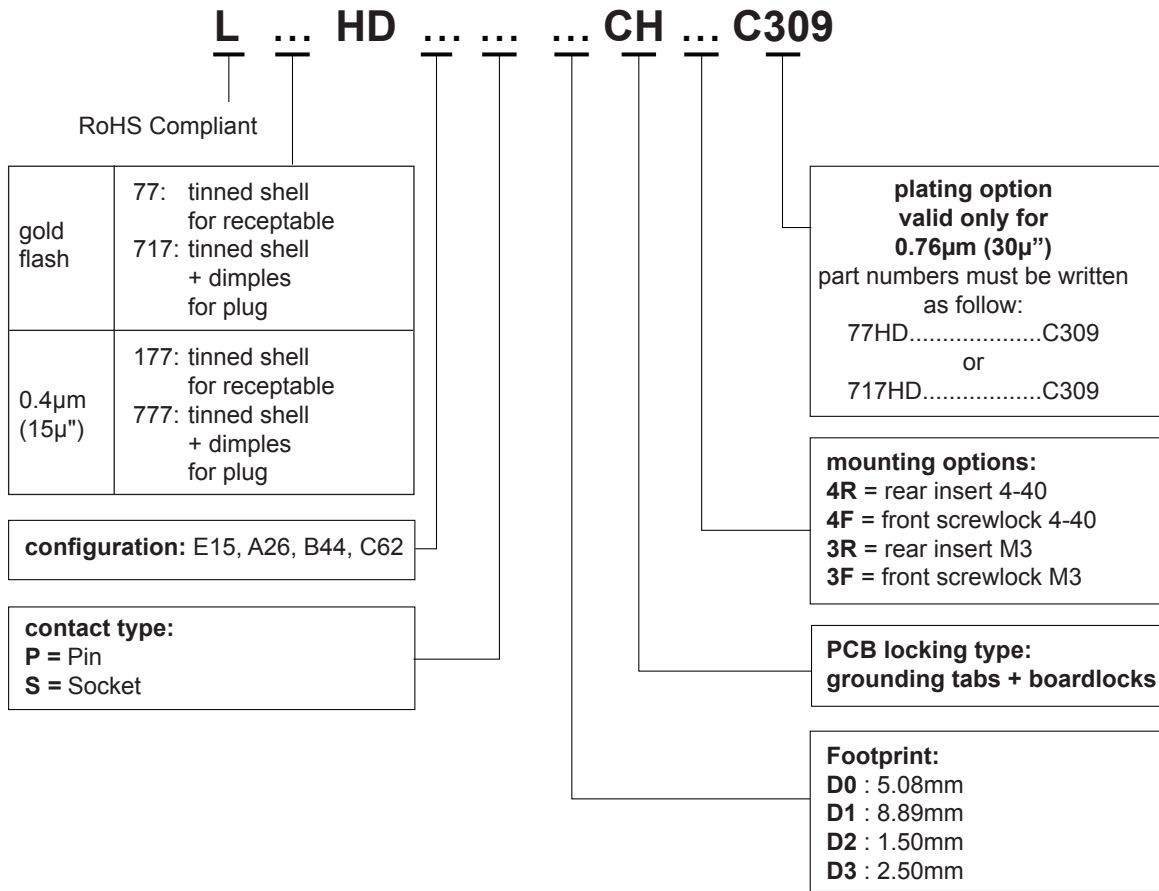
**Threaded rear insert**  
**4R / 3R**

## Shell size dimensions



NB OF CONTACTS	DIMENSIONS mm (inch)			
	A	B	C	D
15	30.84 (1.214)	24.99 (.984)	16.26 (.640)	2.29 (.090)
26	39.24 (1.545)	33.32 (1.312)	24.56 (.967)	2.29 (.090)
44	53.04 (2.088)	47.04 (1.852)	38.30 (1.508)	2.29 (.090)
62	69.34 (2.730)	63.50 (2.500)	54.76 (2.156)	2.41 (.095)

## How to order



**For special request, please consult factory**

**Do not hesitate to contact us for further information**

# Amphenol

**Amphenol IT & Communication Products**

Block A3/A4, The 4th Industrial District of  
Industrial Headquarters, Dong Keng Road  
Gong Ming Town, Shen Zhen China  
Fax: +86(0)755 2754 9955

**Technical Support**

Tel: +86(0)755 2717 7945  
Info-dsub@amphenol.com.cn  
<http://www.dsubconnector.com>

# Mouser Electronics

Authorized Distributor

Click to View Pricing, Inventory, Delivery & Lifecycle Information:

## Amphenol:

[L77HDA26SD1CH4FC309MT](#) [L77HDB44SD1CH4RSAG](#) [L77HDA26SD1CH4F](#) [L77HDC62SD1CH3RC309](#)  
[L77HDB44SD1CH4FC309](#) [L77HDC62SD1CH3FC309](#) [L77HDB44SD1CHC309](#) [L77HDB44SD1CH3RC309](#)  
[L77HDA26SD1CH3FC309](#) [L77HDC62SD1CH4FC309](#) [L77HDE15SD1CH3RC309](#) [L77HDE15SD1CH4RC309](#)  
[L77HDA26SD1CH3RC309](#) [L77HDB44SD1CH4RC309](#) [L77HDC62SD1CH4RC309](#) [L77HDE15SD1CH4FC309](#)  
[L77HDA26SD1CH4FC309](#) [L77HDB44SD1CH3FC309](#) [L77HDA26SD1CH4RC309](#) [L77HDE15SD1CH3FC309](#)  
[L77HDB44SD1CH4R](#) [L77HDA26SD1CH4R](#) [L77HDC62PD1CH3F](#) [L77HDE15SD1CH4F](#) [L77HDE15SD1C](#)  
[L77HDA26SD1CH3F](#) [L77HDC62PD1CH4R](#) [L77HDA26PD1CH4R](#) [L77HDE15SD1CH3R](#) [L77HDC62PD1CH3R](#)  
[L77HDA26PD1CH3F](#) [L77HDB44PD1CH3R](#) [L77HDB44SD1CH](#) [L77HDC62SD1CH3R](#) [L77HDC62SD1CH3F](#)  
[L77HDE15PD1CH4F](#) [L77HDA26PD1CH3R](#) [L77HDE15SD1CH](#) [L77HDB44SD1CH4F](#) [L77HDE15PD1CH4R](#)  
[L77HDC62SD1C](#) [L77HDB44PD1CH3F](#) [L77HDB44SD1CH3R](#) [L77HDE15PD1CH3F](#) [L77HDB44PD1CH4R](#)  
[L77HDC62SD1CH4F](#) [L77HDA26SD1CH4FT](#) [L77HDC62SD1CH4R](#) [L77HDA26SD1CH3R](#) [L77HDC62PD1CH4F](#)  
[L77HDE15SD1CH3F](#) [L77HDE15SD1CH4R](#) [L77HDE15SD2CH4R](#) [L77HDB44PD1CH4F](#) [L77HDB44SD1CH3F](#)  
[L77HDD78SD1CH4R](#) [L77HDA26PD1CH4F](#) [L77HDE15PD1CH3R](#)