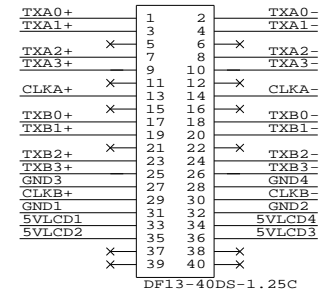
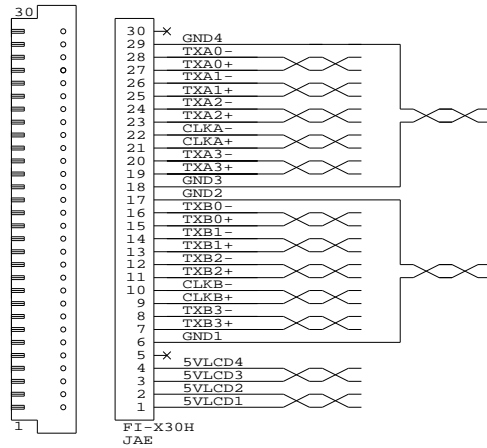
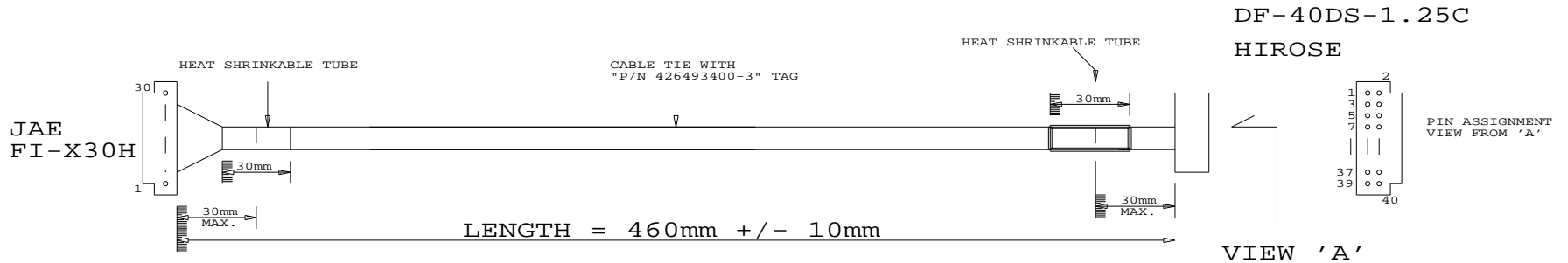


CONNECTION DIAGRAM:

TOLERANCE:
+1.0mm
-1.0mm



PANEL SIDE



CABLE: SHIELDED ROUND
UL 20276, 14 PAIRS, 30AWG, L=460mm
JACKET: PVC COLOR BLACK

USAGE:
CABLE FOR SAMSUNG LTM213U6-L01 PANEL
(WITH SVH-1920)

P/N 426493400-3
LVDS PANEL CABLE: SAMSUNG LTM213U6-L01, 460mm

DIGITAL VIEW LTD. COPYRIGHT 2006, ALL RIGHTS RESERVED CONFIDENTIAL		
DRAWN BY: VICTOR NG		
Title LVDS CBL: SAMSUNG LTM213U6-L01, 460mm		
Size	Document Number	REV
B	(...\DV\DV_CABLE\C6493400.SCH)	00
Date:	August 17, 2006	Sheet 1 of 1

Mouser Electronics

Authorized Distributor

Click to View Pricing, Inventory, Delivery & Lifecycle Information:

[Digital View:](#)

[426493400-3](#)