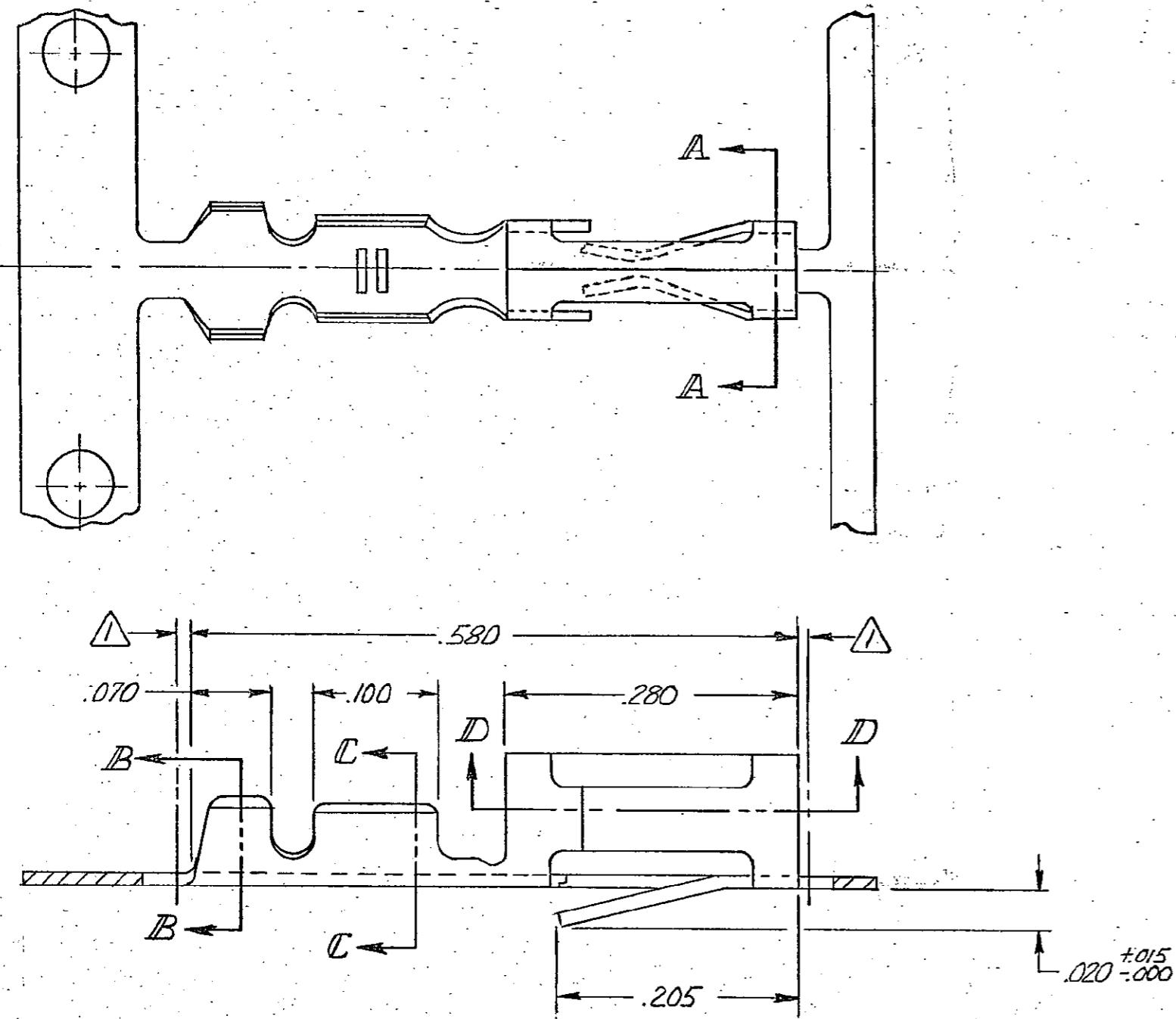
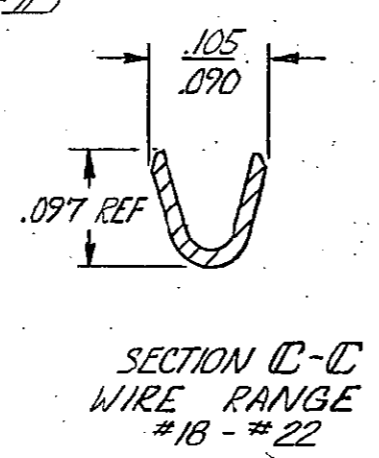
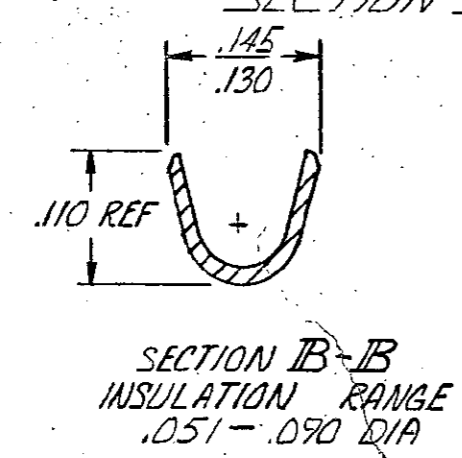
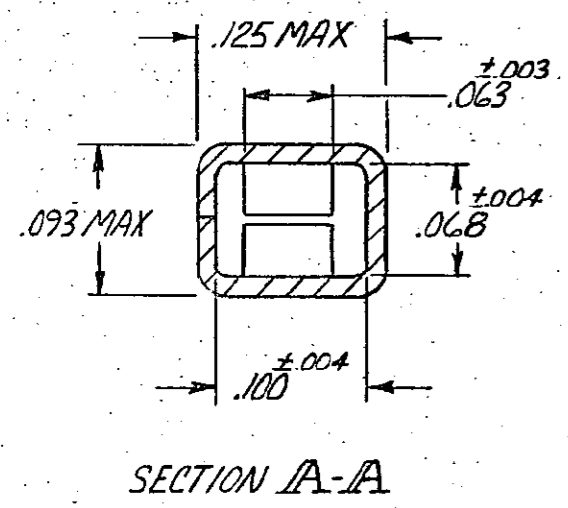
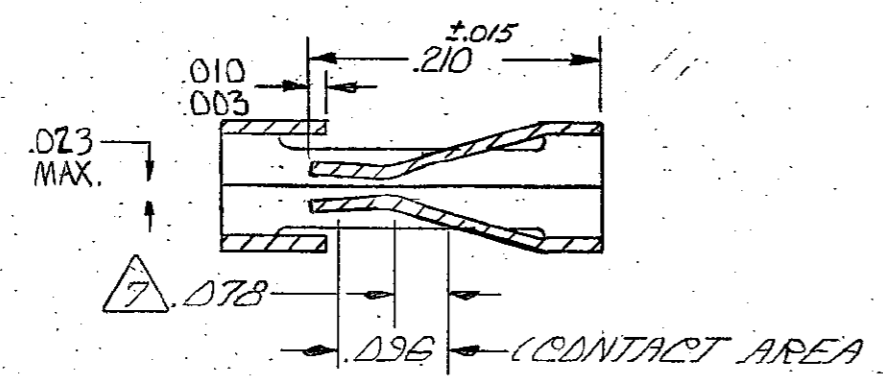
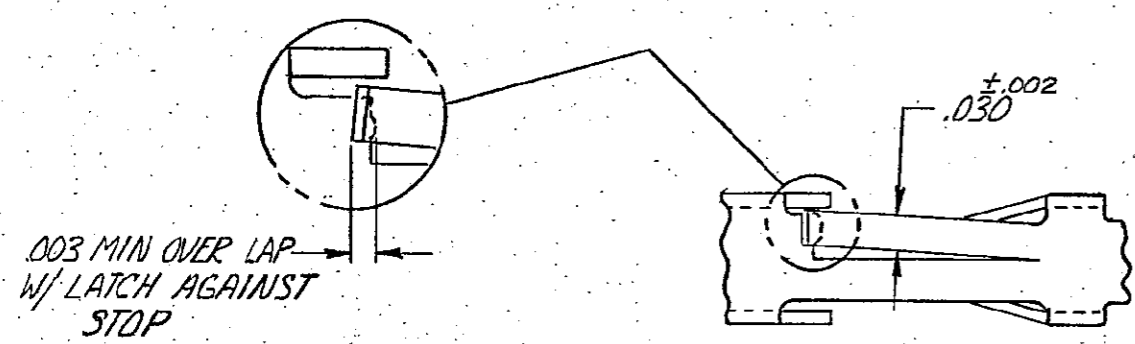


© COPYRIGHT

REVISIONS						
P	F	ZONE	LTR	DESCRIPTION	DATE	APPROVED
			K1	REVISED PER ECO-11-005294	06APR11	HMR



- 1 .010 MAX CUT-OFF TAB FOR LOOSE PIECE.
- 2 GOLD FLASH OVER .000050 NICKEL ENTIRE CONTACT, .000015 GOLD ON CONTACT AREA
- 3 GOLD FLASH OVER .000050 NICKEL ENTIRE CONTACT .000030 GOLD ON CONTACT AREA.
- 4 .000016 MIN TIN.
- 5 LUBRICATED
- 6 .000100-.000200 BRIGHT TIN OVER .000030 NICKEL.
- 7 POINT OF MEASUREMENT FOR PLATING THICKNESS.
- 8 .000015 GOLD ON CONTACT AREA, .000050-.000100 BRIGHT TIN-LEAD ON TERMINATION AREA, ALL OVER .000050 NICKEL ENTIRE TERMINAL.
- 9 .000030 GOLD ON CONTACT AREA, .000050-.000100 BRIGHT TIN-LEAD ON TERMINATION AREA, ALL OVER .000050 NICKEL ENTIRE TERMINAL.
- 10 OBSOLETE PART NUMBER.



9	10/102104-6	102100-9/10
8	10/102104-5	102100-8/10
6, 5	10/102104-4	10/102100-6
4, 5	102104-3	102100-5
3	102104-2	102100-2
2	102104-1	102100-1
FINISH	LOOSE PIECE P/N	PART NO

UNLESS OTHERWISE SPECIFIED DIMENSIONS ARE IN INCHES. TOLERANCES ON: DECIMALS $\pm .005$ ANGLES \pm	CONTRACT NO	TE Connectivity NAME CONTACT, MOD I, RECEPTACLE, CRIMP SNAP-IN, HIGH PRESSURE, #18 - #22AWG, SIDE FEED	
	DR R. Bedwin 4/12/78 CHK J. White 4-27-78 APPD J. Zimmermann 4/28/78 APPD R. Smith 5/1/78		
MATERIAL PHOS. BRONZE	FINISH SEE TABLE	SIZE C	CODE IDENT NO 00779
		DRAWING NO 102100	SHEET

CUSTOMER DRAWING

Mouser Electronics

Authorized Distributor

Click to View Pricing, Inventory, Delivery & Lifecycle Information:

[TE Connectivity:](#)

[102100-5](#)