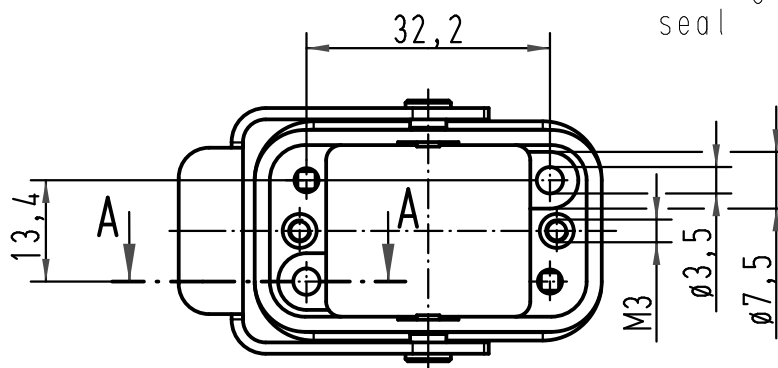
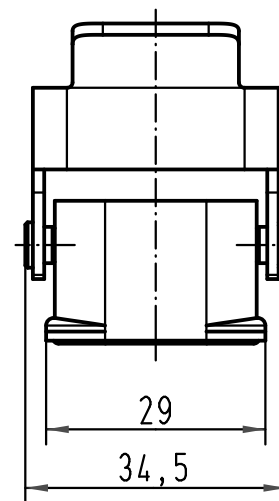
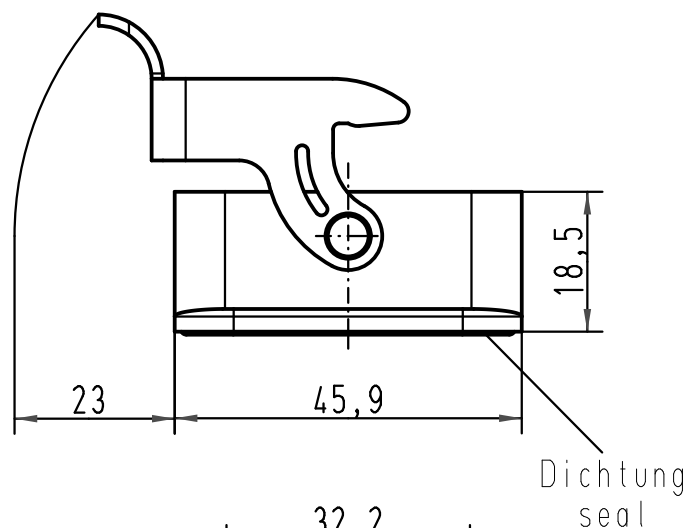
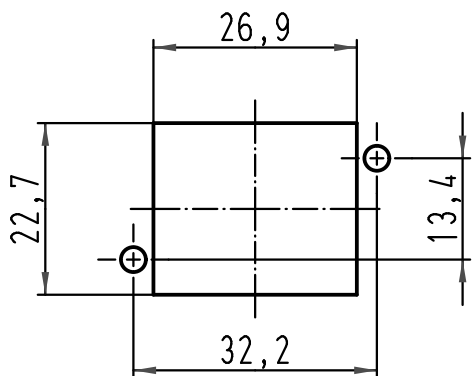
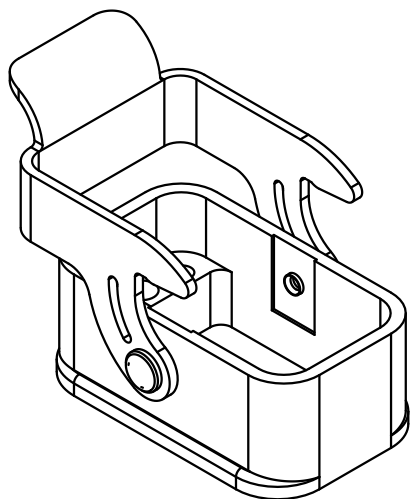
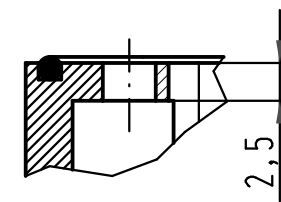


Montageausschnitt
panel cut out



A-A(2:1)



All Dimensions in mm Original Size DIN A 4		Techn. Character.			Nicht tolerierte Maß/Free size tolerances		
			Dat.	Name	Maßstab/Scale 1:1	Han Compact-agg Anbaugehäuse-Metall-schwarzchrom housing bulkhead mounting-metal-chromated	
			Detail.	06.04.10 ML			
			Insp.	Sch			
			Stand.				
A			HARTING Electric GmbH & Co. KG D-32339 Espelkamp			TB 09 12 008 0301	Blatt/page Sub. f. TB 09 12 008 0301 v. 23.02.00
Mod.	Dat.	Name					

Mouser Electronics

Authorized Distributor

Click to View Pricing, Inventory, Delivery & Lifecycle Information:

[HARTING:](#)

[09120080301](#)