

THIS DRAWING IS UNPUBLISHED. RELEASED FOR PUBLICATION

© COPYRIGHT BY TYCO ELECTRONICS CORPORATION. ALL RIGHTS RESERVED.

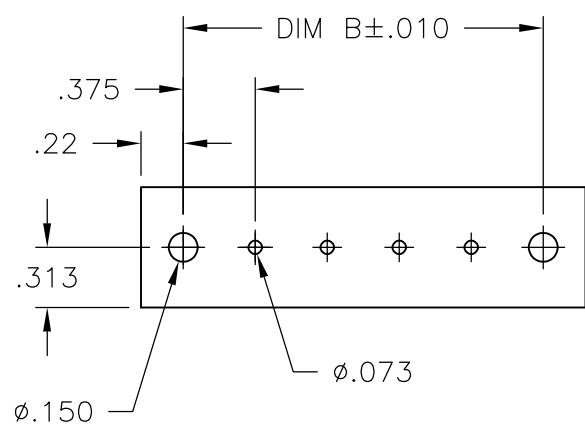
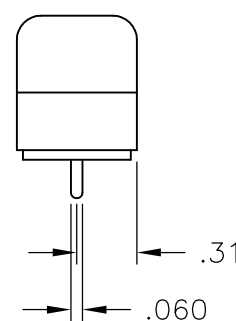
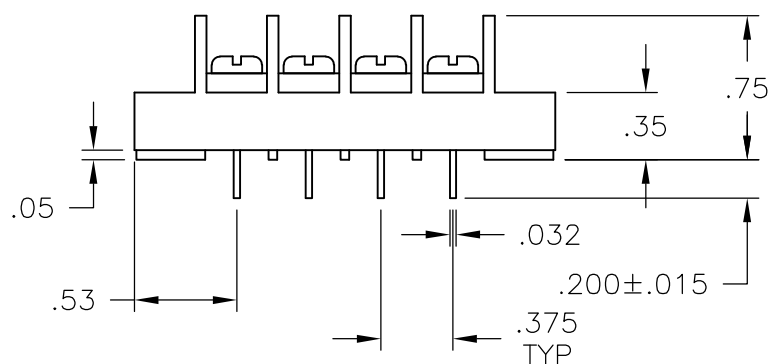
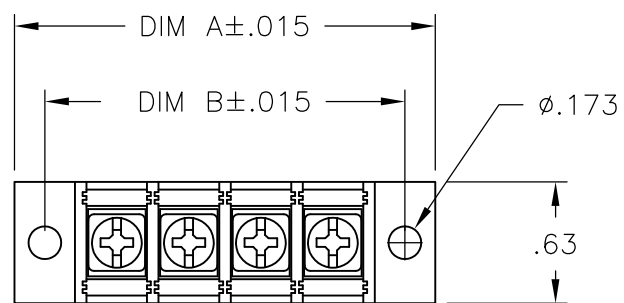
LOC	DIST	REVISIONS					
FT	0	P	LTR	DESCRIPTION	DATE	DWN	APVD
			D	REVISED PER ECO-10-013614	13OCT10	HMR	CR

MATERIAL:
 HOUSING: THERMOPLASTIC, UL94V-0, BLACK.
 TERMINALS: BRIGHT TIN OVER COPPER ALLOY.
 SCREWS: #6-32 STEEL, ZINC PLATING W/ CLEAR CHROMATE.

ELECTRICAL:
 RATED CURRENT UL/CSA:
 CLASS C: 20A, 300V.
 CLASS D: 5A, 600V.
 WIRE RANGE: 12-22 AWG.

MECHANICAL:
 RECOMMENDED TORQUE: 7 IN-LB.
 OPERATING TEMP.: 105°C MAX.

1 STAINLESS STEEL SCREWS.



RECOMMENDED PCB LAYOUT

9.000	9.314	23	JC6-P207-23	7-796985-8	
8.625	8.939	22	JC6-P207-22	7-796985-7	
8.250	8.564	21	JC6-P207-21	7-796985-6	
7.875	8.189	20	JC6-P207-20	5-1437666-8	
1	7.500	7.814	19	JC6-P207-19-253	9-796985-5
	7.500	7.814	19	JC6-P207-19	7-796985-5
1	7.125	7.439	18	JC6-P207-18-252	9-796985-4
	7.125	7.439	18	JC6-P207-18	7-796985-4
	6.750	7.064	17	JC6-P207-17	7-796985-3
	6.375	6.689	16	JC6-P207-16	7-796985-2
	6.000	6.314	15	JC6-P207-15	7-796985-1
	5.625	5.939	14	JC6-P207-14	7-796985-0
1	5.250	5.564	13	JC6-P207-13	6-796985-9
	4.875	5.189	12	JC6-P207-12-251	9-796985-3
	4.875	5.189	12	JC6-P207-12	6-796985-8
	4.500	4.814	11	JC6-P207-11	6-796985-7
1	4.125	4.439	10	JC6-P207-10-250	9-796985-2
	4.125	4.439	10	JC6-P207-10	4-1437665-0
	3.750	4.064	9	JC6-P207-09	3-1437665-9
	3.375	3.689	8	JC6-P207-08	3-1437665-8
1	3.000	3.314	7	JC6-P207-07-249	9-796985-1
	3.000	3.314	7	JC6-P207-07	6-796985-6
	2.625	2.939	6	JC6-P207-06	3-1437665-7
	2.250	2.564	5	JC6-P207-05	3-1437665-6
1	1.875	2.189	4	JC6-P207-04-248	9-796985-0
	1.875	2.189	4	JC6-P207-04	3-1437665-5
	1.500	1.814	3	JC6-P207-03	3-1437665-4
	1.125	1.439	2	JC6-P207-02	3-1437665-3
	DIM B	DIM A	NO OF POS	CATALOG NUMBER	PART NUMBER

THIS DRAWING IS A CONTROLLED DOCUMENT.		DWN	S SCHLEGEL	9/15/03	Tyco Electronics Corporation Harrisburg, Pa 17105-3608		
DIMENSIONS: INCHES		CHK	S. YODER	9/15/03	NAME		
TOLERANCES UNLESS OTHERWISE SPECIFIED:		APVD	S. YODER	9/15/03	JC6-P207-XX ASSEMBLY		
0 PLC	± -	PRODUCT SPEC		SIZE			
1 PLC	± -	APPLICATION SPEC		CAGE CODE	DRAWING NO	RESTRICTED TO	
2 PLC	± .01	WEIGHT		A3 00779		G-3-1437665-3	
3 PLC	± .005	CUSTOMER DRAWING		SCALE	SHEET	OF	REV
4 PLC	± -			NTS	1	1	D
ANGLES	± -						
MATERIAL	FINISH						

Mouser Electronics

Authorized Distributor

Click to View Pricing, Inventory, Delivery & Lifecycle Information:

[TE Connectivity:](#)

[JC6-P207-04](#)