

Banana Plug - Insulated Stacking Dual Type

SPECIFICATIONS

Plug Body: Brass per QQ-B-626D

Plug Spring: Nickel silver per QQ-C-586

Finish: Nickel

Insulated Handle: Nylon 6/6 per ASTM D4066

RATINGS

Current: 15 amps

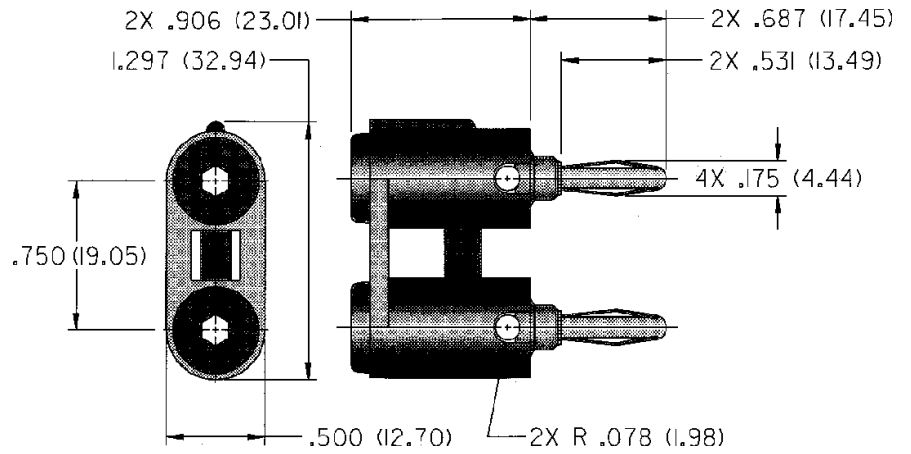
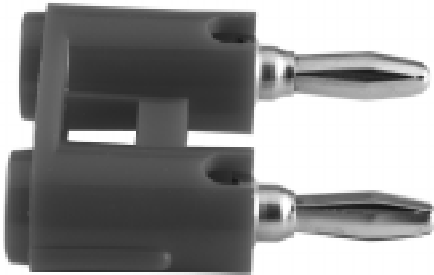
Breakdown Voltage: 3500 Vrms minimum

Contact Resistance: 0.010 ohms maximum

For Standard Banana Jack: .166 (4.23) Diameter

FEATURES:

- Accepts standard banana plug from rear
- Built-in strain relief for long life
- Nylon UL approved for self extinguishing



NICKEL PLATING

SET SCREW

(Accepts wire sizes up to 14 gauge)

PART NO.	COLOR
108-0253-001	Black

Mouser Electronics

Authorized Distributor

Click to View Pricing, Inventory, Delivery & Lifecycle Information:

[Cinch Connectivity Solutions:](#)

[108-0253-001](#)