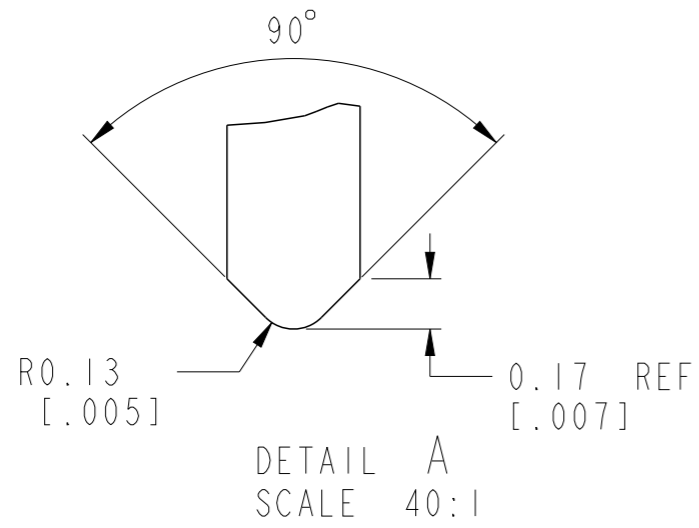
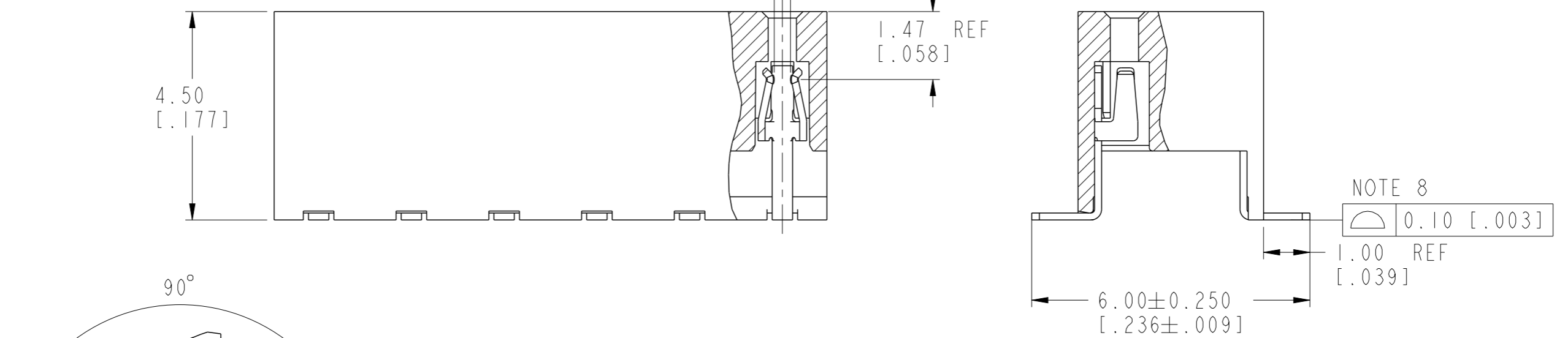


RECOMMENDED PCB LAYOUT



⊕ 0.20 [.007] (S) A (S)

spec ref	-	dr	Andrew Yong	2010/10/14	projection	MM / INCH	size	A3	scale	10:1	
tolerance std	ISO 406 ISO 1101	eng	Yuan-Yuan Bao	2019/11/12			ecn no	ELX-N-35361-1			
TOLERANCES UNLESS OTHERWISE SPECIFIED		chr	-	-			rel level	Released			
surface	linear	appr	Tim Yao	2019/11/25	product family	LPVCC	dwg no	55510		rev	K
	angular	Amphenol FCI www.fci.com		cat. no.	-	Product - Customer Drw	sheet 1 of 3				

PRODUCT NO	PRODUCT NO	POSITIONS	DIM. A	DIM. B
55510-X04 SEE NOTE 5 ▲	55510-X04LF SEE NOTE 6 & 11 ▲	2 X 2	2.00 / .079	3.92 / .154
55510-X06	55510-X06LF	2 X 3	4.00 / .158	5.92 / .233
55510-X08	55510-X08LF	2 X 4	6.00 / .236	7.92 / .312
55510-X10	55510-X10LF	2 X 5	8.00 / .315	9.92 / .391
55510-X12	55510-X12LF	2 X 6	10.00 / .394	11.92 / .469
55510-X14	55510-X14LF	2 X 7	12.00 / .472	13.92 / .548
55510-X16	55510-X16LF	2 X 8	14.00 / .551	15.92 / .627
55510-X18	55510-X18LF	2 X 9	16.00 / .630	17.92 / .706
55510-X20	55510-X20LF	2 X 10	18.00 / .709	19.92 / .784
55510-X22	55510-X22LF	2 X 11	20.00 / .787	21.92 / .863
55510-X24	55510-X24LF	2 X 12	22.00 / .866	23.92 / .942
55510-X26	55510-X26LF	2 X 13	24.00 / .945	25.92 / 1.020
55510-X28	55510-X28LF	2 X 14	26.00 / 1.024	27.92 / 1.099
55510-X30	55510-X30LF	2 X 15	28.00 / 1.102	29.92 / 1.178
55510-X32	55510-X32LF	2 X 16	30.00 / 1.181	31.92 / 1.257
55510-X34	55510-X34LF	2 X 17	32.00 / 1.260	33.92 / 1.335
55510-X36	55510-X36LF	2 X 18	34.00 / 1.339	35.92 / 1.414
55510-X38	55510-X38LF	2 X 19	36.00 / 1.417	37.92 / 1.493
55510-X40	55510-X40LF	2 X 20	38.00 / 1.496	39.92 / 1.572
55510-X42	55510-X42LF	2 X 21	40.00 / 1.575	41.92 / 1.650
55510-X44	55510-X44LF	2 X 22	42.00 / 1.654	43.92 / 1.729
55510-X46	55510-X46LF	2 X 23	44.00 / 1.732	45.92 / 1.808
55510-X48	55510-X48LF	2 X 24	46.00 / 1.811	47.92 / 1.887
55510-X50 SEE NOTE 5 ▼	55510-X50LF SEE NOTE 6 & 11 ▼	2 X 25	48.00 / 1.890	49.92 / 1.965

PLATING OPTIONS OVER CONTACT AREA
0 = 0.05um/2u"Au
1 = 0.76um/30u"Au
3 = 0.38um/15u"Au
5 = 2.54um/100u"100% MATTE TIN
7 = 0.76um/30u"GXT
8 = 0.38um/15u"GXT

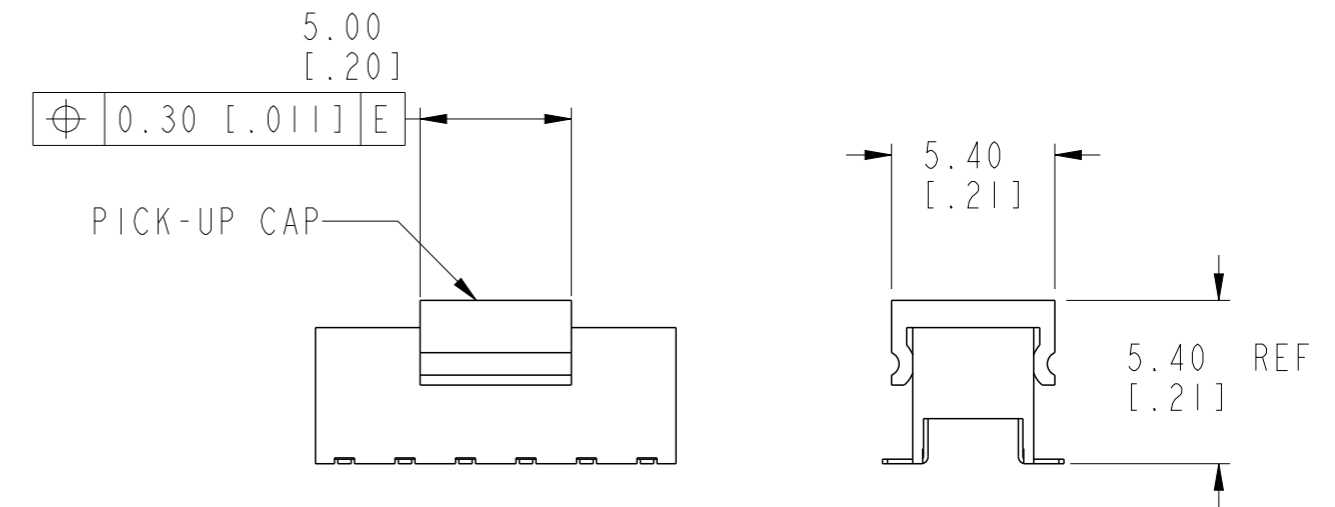


FIG 1
NOTE 7(b)

Amphenol
FCi

© 2016 AFCI

spec ref	-	dr	Andrew Yong	2010/10/14	projection	MM / INCH	size	A3	scale	10:1	
tolerance std	ISO 406 ISO 1101	eng	Yuan-Yuan Bao	2019/11/12			ecn no	ELX-N-35361-1			
surface	linear	chr	-	-			rel level	Released			
	angular	appr	Tim Yao	2019/11/25	product family	LPVCC	dwg no	55510		rev	K
					www.fci.com	cat. no.	-	Product - Customer Drw	sheet 2 of 3		

NOTES:

- 1. HOUSING MATERIAL : HIGH TEMP PLASTIC.
- 2. TERMINAL MATERIAL : PHOSPHOR BRONZE.
- 3. TERMINAL RETENTION 0.2Kg/0.44 Lbs
- ④ 'V' CUT OPTIONAL - MANUFACTURING PROCESS OPTION.
- ⑤ USE TIN/LEAD PLATED SOLDER TAILS.
- ⑥ USE 100% MATTE TIN PLATED SOLDER TAILS
- ⑦ PRODUCT DESCRIPTION CODE:

XXXXX-X	XXLF	LEAD FREE (SEE NOTE 6 & 11)
		TOTAL POSITIONS
		PLATING AT CONTACT AREA
		BASE NUMBER

- ⑧ PACKAGING:
 - (a) XXXXX-XXX ---STD PACKAGING IN TUBE.
 - (b) XXXXX-XXXTR ---TAPE AND REEL PACKAGING WITH PICK-UP CAP. (FIG 1)
 - (c) XXXXX-XXXTRN ---TAPE AND REEL PACKAGING WITHOUT PICK-UP CAP.
 - (d) XXXXX-XXXTRS ---TAPE AND REEL PACKAGING WITHOUT PICK-UP CAP. (SOLDERTAILS ON TOP)
- 9. CO-PLANARITY:
 - FROM POSITION - X04 THRU -X38 : 0.10 / .004
 - X40 THRU -X50 : 0.12 / .005
- 10. PRODUCT SPECIFICATION: GS-12-008
- 11. THE HOUSING WILL WITHSTAND EXPOSURE TO 255°C PEAK TEMPERATURE FOR 10 SECONDS IN A CONVECTION, INFRA-RED OR VAPOR PHASE REFLOW OVEN.
- ⑫ THIS PRODUCT MEETS EUROPEAN UNION DIRECTIVES AND OTHER COUNTRY REGULATIONS AS DESCRIBED IN GS-22-008.

Amphenol FCI

© 2016 AFCI

spec ref -		dr Andrew Yong	2010/10/14	projection	MM / INCH	size A3	scale 10:1
tolerance std ISO 406 ISO 1101		TOLERANCES UNLESS OTHERWISE SPECIFIED			← →	ecn no ELX-N-35361-1	
		eng Yuan-Yuan Bao	2019/11/12			rel level Released	
surface		linear	0.X ±0.3	product family LPVCC		rev	
			0.XX ±0.13	4.5 TOP ENTRY SMT ASSY		dwg no 55510	
			0.XXX ±0.051			rev K	
ISO 1302		angular	0° ±2°	www.fci.com		cat. no. -	
				Product - Customer Drw		sheet 3 of 3	

Mouser Electronics

Authorized Distributor

Click to View Pricing, Inventory, Delivery & Lifecycle Information:

[FCI / Amphenol:](#)

[55510-150](#) [55510-320](#) [55510-106TR](#) [55510-108TR](#) [55510-112TR](#) [55510-114TR](#) [55510-116TR](#) [55510-118TR](#)
[55510-120TR](#) [55510-122TR](#) [55510-124TR](#) [55510-126TR](#) [55510-130TR](#) [55510-134TR](#) [55510-140TR](#) [55510-144TR](#)
[55510-150TR](#) [55510-310TR](#) [55510-314TR](#) [55510-320TR](#) [55510-030TR](#) [55510-040TR](#) [55510-044TR](#) [55510-004](#)
[55510-006](#) [55510-008](#) [55510-010](#) [55510-012](#) [55510-014](#) [55510-016](#) [55510-018](#) [55510-022](#) [55510-024](#) [55510-026](#)
[55510-028](#) [55510-030](#) [55510-032](#) [55510-034](#) [55510-036](#) [55510-038](#) [55510-040](#) [55510-042](#) [55510-044](#) [55510-](#)
[046](#) [55510-048](#) [55510-050](#) [55510-106](#) [55510-108](#) [55510-110](#) [55510-112](#) [55510-114](#) [55510-116](#) [55510-118](#)
[55510-120](#) [55510-122](#) [55510-124](#) [55510-128](#) [55510-130](#) [55510-132](#) [55510-134](#) [55510-136](#) [55510-138](#) [55510-140](#)
[55510-142](#) [55510-144](#) [55510-146](#) [55510-148](#) [55510-310](#) [55510-314](#) [55510-328](#) [55510-332](#) [55510-334](#) [55510-](#)
[336](#) [55510-338](#) [55510-340](#) [55510-342](#) [55510-346](#) [55510-348](#) [55510-350](#) [55510-316](#) [55510-322](#) [55510-304](#)
[55510-308](#) [55510-306](#) [55510-330](#) [55510-344](#) [55510-312](#) [55510-326](#) [55510-318](#) [55510-324](#)