

Socket - EMG 90-2SD-D/LA - 2941523

Please be informed that the data shown in this PDF Document is generated from our Online Catalog. Please find the complete data in the user's documentation. Our General Terms of Use for Downloads are valid (<http://phoenixcontact.com/download>)



Rail-mountable double socket, with glow lamp, green housing

The illustration shows the German double socket EMG90-2SD-D/LA



Key Commercial Data

Packing unit	1 pc
Minimum order quantity	2 pc
Weight per Piece (excluding packing)	206.3 g
Custom tariff number	85366990
Country of origin	Germany

Technical data

Dimensions

Width	90 mm
Height	75 mm
Depth	70.5 mm

Ambient conditions

Ambient temperature (operation)	-20 °C ... 60 °C
Ambient temperature (storage/transport)	-20 °C ... 60 °C

General

Nominal voltage U_N	250 V AC
Nominal current I_N	16 A
Status display	Glow lamp or LED with preresistor
Contact material	CuZn37

Socket - EMG 90-2SD-D/LA - 2941523

Technical data

General

For country-specific use in	D
Color	green
Insulating material	PC-F
Standards/regulations	IEC 83
	DIN 49440-1

Connection data

Conductor cross section solid min.	0.2 mm ²
Conductor cross section solid max.	4 mm ²
Conductor cross section flexible min.	0.2 mm ²
Conductor cross section flexible max.	2.5 mm ²
Conductor cross section AWG min.	24
Conductor cross section AWG max.	12
Connection method	Screw connection
Stripping length	8 mm
Screw thread	M3

Standards and Regulations

Standards/regulations	IEC 83
	DIN 49440-1

Classifications

eCl@ss

eCl@ss 4.0	27142305
eCl@ss 4.1	27142305
eCl@ss 5.0	27142305
eCl@ss 5.1	27142305
eCl@ss 6.0	27142305
eCl@ss 7.0	27142305
eCl@ss 8.0	27142305

ETIM

ETIM 2.0	EC001325
ETIM 3.0	EC001325
ETIM 4.0	EC001663
ETIM 5.0	EC001663

Socket - EMG 90-2SD-D/LA - 2941523

Classifications

UNSPSC

UNSPSC 6.01	30211806
UNSPSC 7.0901	39121406
UNSPSC 11	39121406
UNSPSC 12.01	39121406
UNSPSC 13.2	39121406

Approvals

Approvals

Approvals

EAC / EAC

Ex Approvals

Approvals submitted

Approval details

EAC

EAC

Accessories

Accessories

Marking material - EMG-GKS 12 - 2947035



Equipment marker, width 12 mm

Socket - EMG 90-2SD-D/LA - 2941523

Accessories

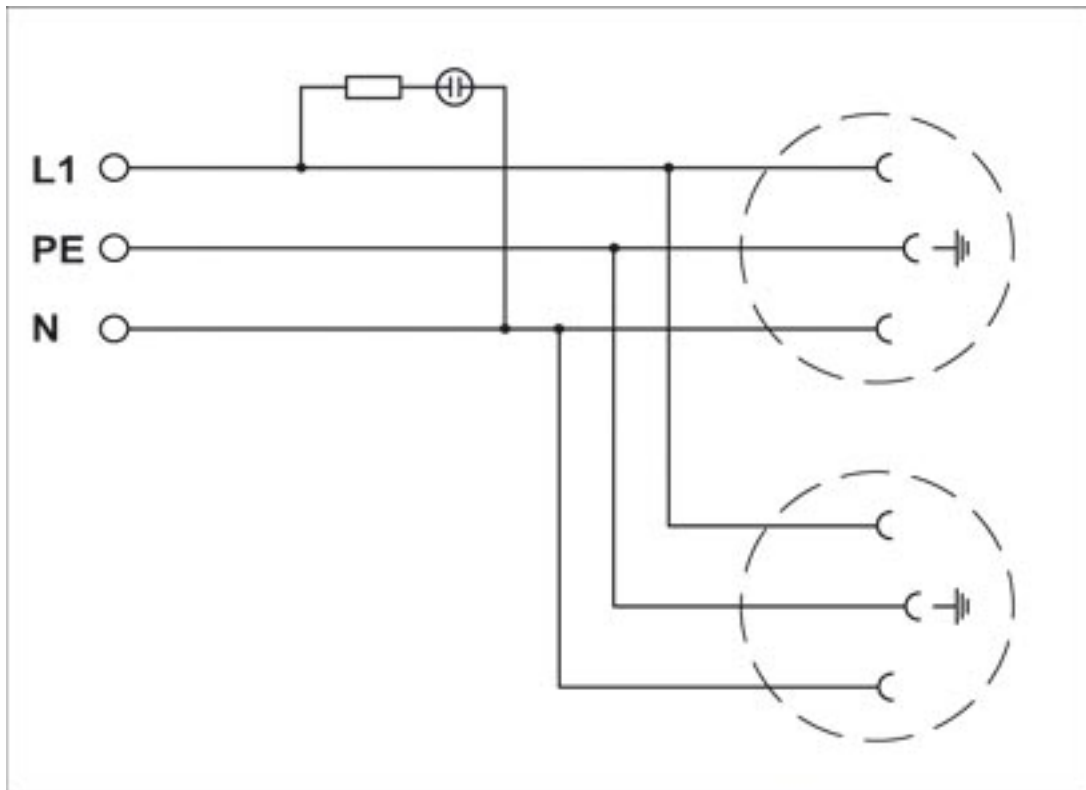
Marking material - EMG-SGKS 10 - 2947585



Equipment marker, narrow

Drawings

Circuit diagram



Mouser Electronics

Authorized Distributor

Click to View Pricing, Inventory, Delivery & Lifecycle Information:

[Phoenix Contact:](#)

[2941523](#)