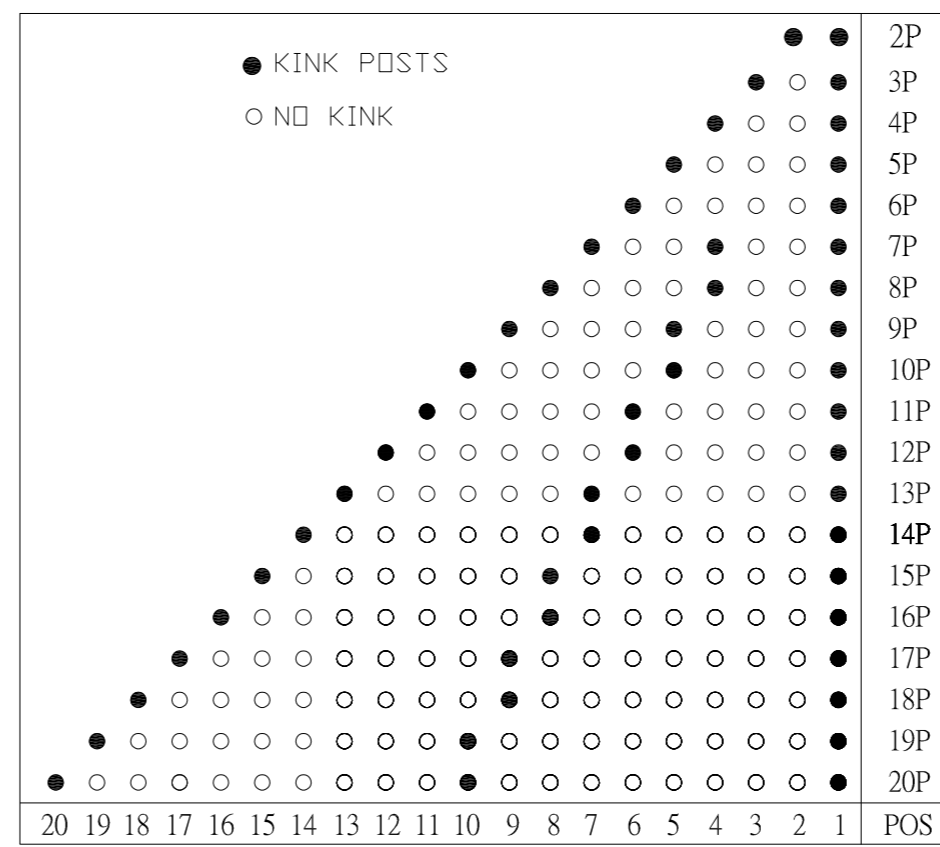
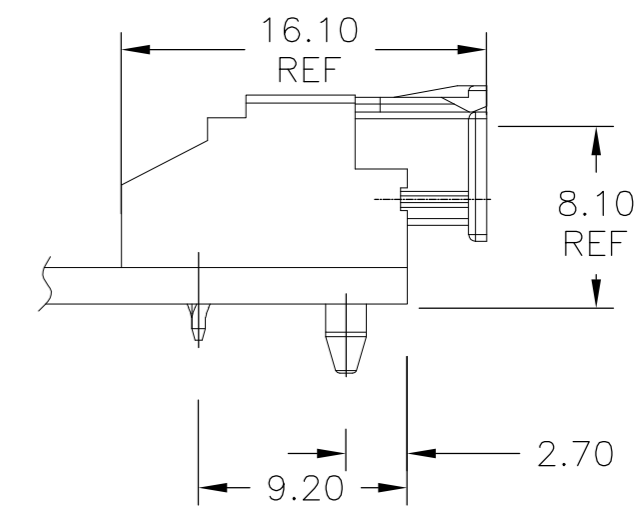
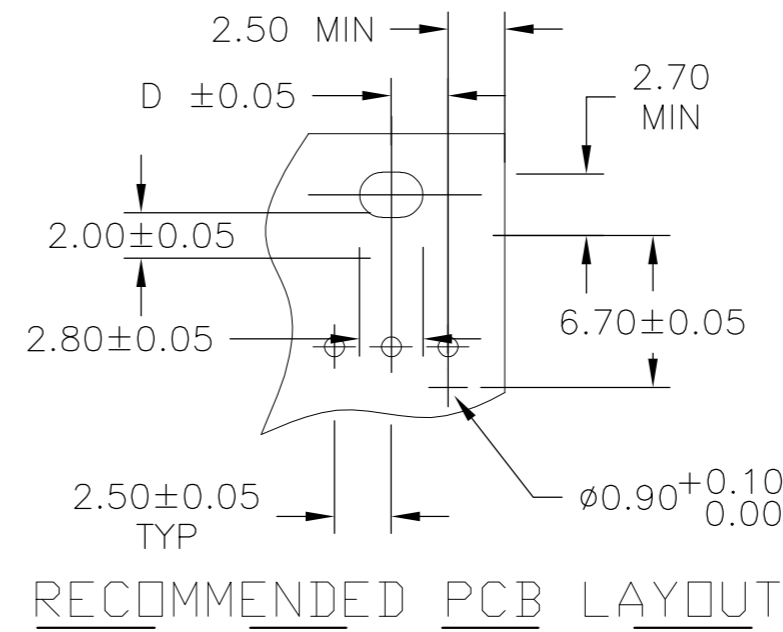
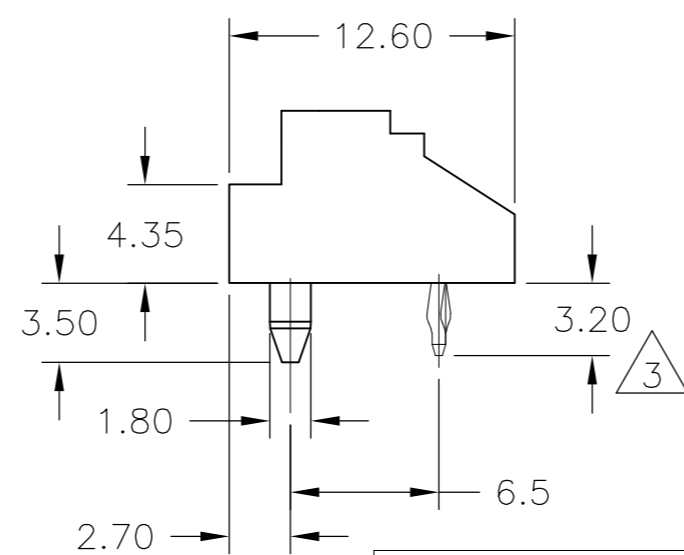
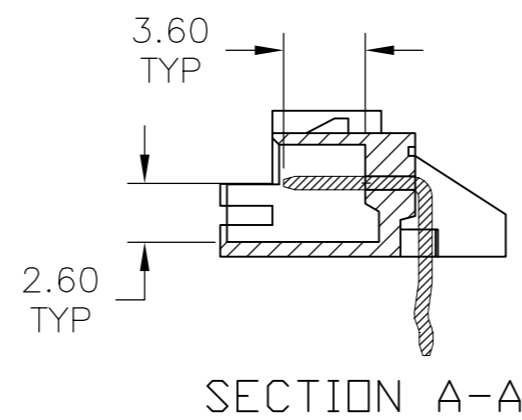
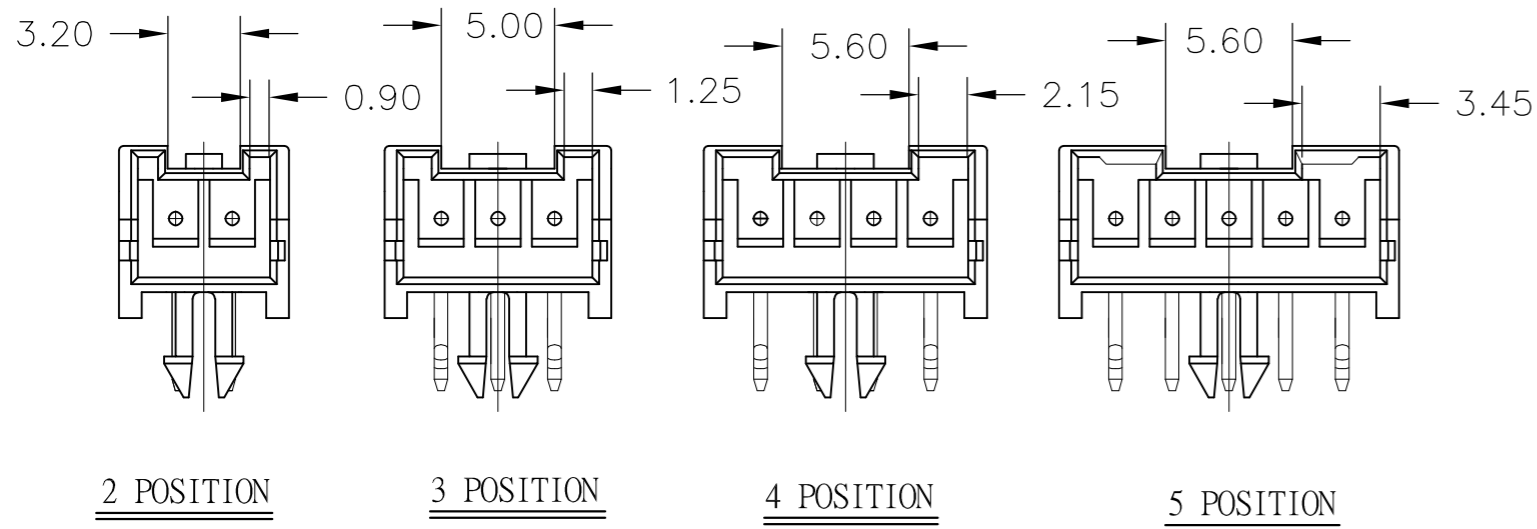
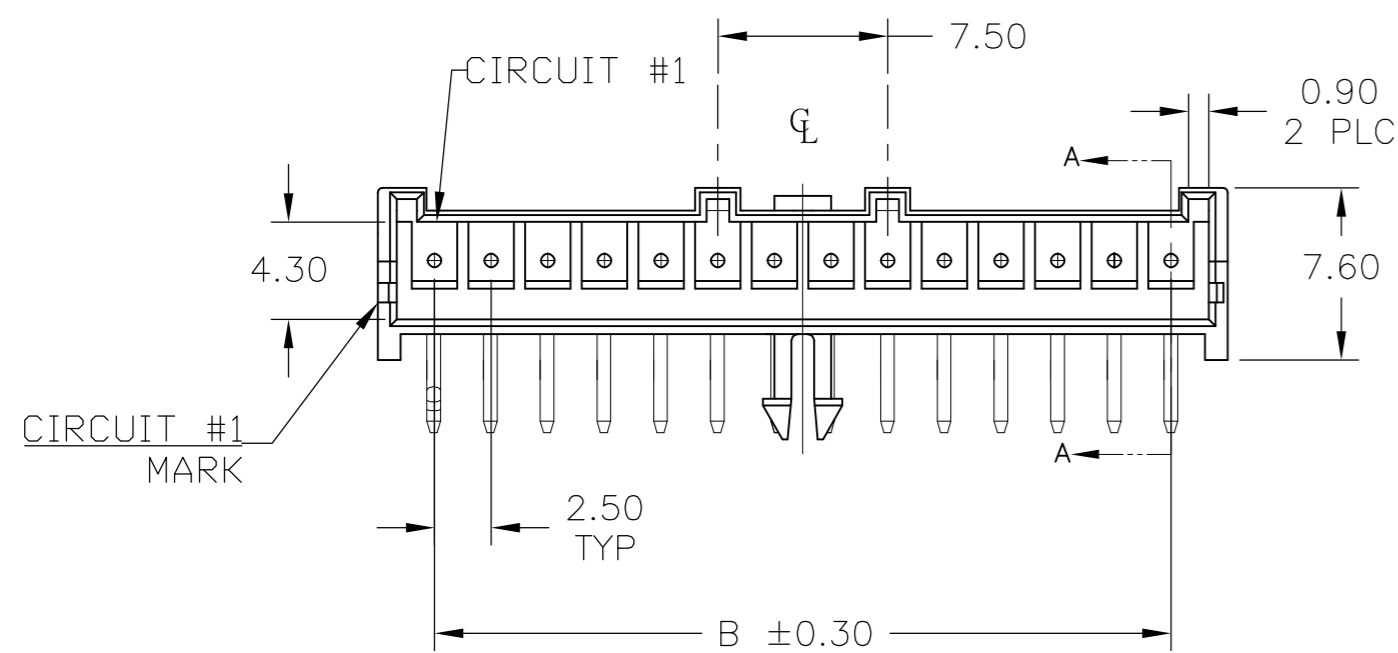
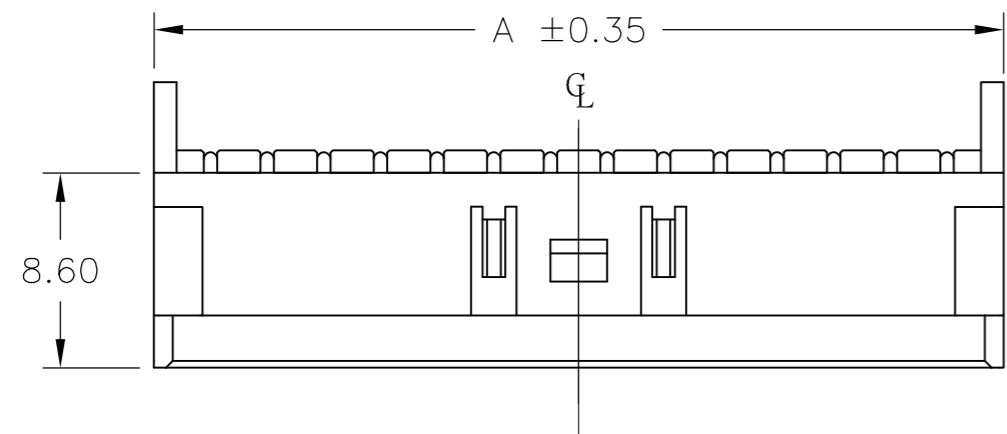
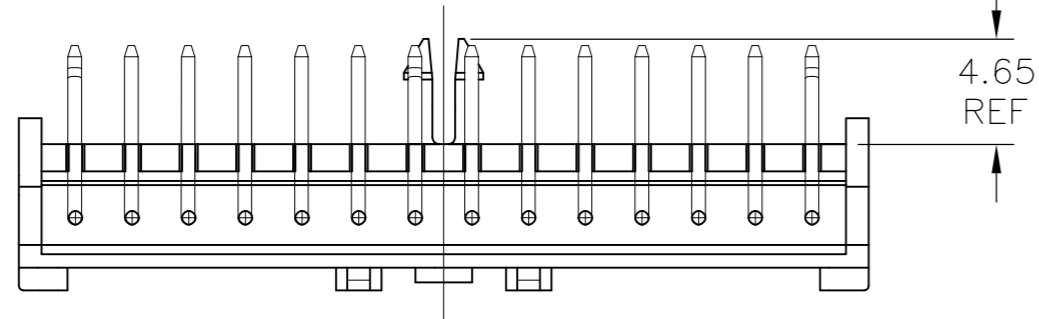


THIS DRAWING IS UNPUBLISHED. RELEASED FOR PUBLICATION  
 © COPYRIGHT - By - ALL RIGHTS RESERVED.

| REVISIONS |     |                           |         |         |
|-----------|-----|---------------------------|---------|---------|
| P         | LTR | DESCRIPTION               | DATE    | APVD    |
| D1        |     | REVISED PER ECR-16-010647 | 08OCT16 | O.C D.Z |



- 1 MATERIAL,  
HOUSING: NYLON 94VO, WHITE.  
CONTACT: COPPER ALLOY
- 2 FINISH: CONTACT: BRIGHT TIN OVER  
NICKEL UNDERPLATED OVER ALL
- 3 CONTACT SOLDER TAIL KINK DIRECTION  
(BOARDLOCK). OUTER POSITIONS KINK FRONT,  
INSIDE POSITION KINK BACK.

|       |       |       |     |             |
|-------|-------|-------|-----|-------------|
| 31.25 | 47.50 | 52.50 | 20  | 2-1744426-0 |
| 28.75 | 45.00 | 50.00 | 19  | 1-1744426-9 |
| 26.25 | 42.50 | 47.50 | 18  | 1-1744426-8 |
| 23.75 | 40.00 | 45.00 | 17  | 1-1744426-7 |
| 21.25 | 37.50 | 42.50 | 16  | 1-1744426-6 |
| 18.75 | 35.00 | 40.00 | 15  | 1-1744426-5 |
| 16.25 | 32.50 | 37.50 | 14  | 1-1744426-4 |
| 15.00 | 30.00 | 35.00 | 13  | 1-1744426-3 |
| 13.75 | 27.50 | 32.50 | 12  | 1-1744426-2 |
| 12.50 | 25.00 | 30.00 | 11  | 1-1744426-1 |
| 11.25 | 22.50 | 27.50 | 10  | 1-1744426-0 |
| 10.00 | 20.00 | 25.00 | 9   | 1744426-9   |
| 8.75  | 17.50 | 22.50 | 8   | 1744426-8   |
| 7.50  | 15.00 | 20.00 | 7   | 1744426-7   |
| 6.25  | 12.50 | 17.50 | 6   | 1744426-6   |
| 5.00  | 10.00 | 15.00 | 5   | 1744426-5   |
| 3.75  | 7.50  | 12.50 | 4   | 1744426-4   |
| 2.50  | 5.00  | 10.00 | 3   | 1744426-3   |
| 1.25  | 2.50  | 7.50  | 2   | 1744426-2   |
| DIM C | DIM B | DIM A | POS | PART NO.    |

THIS DRAWING IS A CONTROLLED DOCUMENT.

|                  |           |           |
|------------------|-----------|-----------|
| DWN              | JR RUTH   | 09JAN2012 |
| CHK              | SAM MACE  | 09JAN12   |
| APVD             | SAM MACE  | 09JAN12   |
| PRODUCT SPEC     | 108-2418  |           |
| APPLICATION SPEC | 114-13315 |           |
| WEIGHT           | 0         |           |
| CUSTOMER DRAWING |           |           |

TE Connectivity

NAME: -  
 HEADER HOUSING ASSEMBLY, EP 2.5 RIGHT ANGLE

|      |           |            |               |
|------|-----------|------------|---------------|
| SIZE | CAGE CODE | DRAWING NO | RESTRICTED TO |
| A2   | 00779     | C=1744426  | -             |

SCALE: N/A SHEET: 1 OF 1 REV: D1

# Mouser Electronics

Authorized Distributor

Click to View Pricing, Inventory, Delivery & Lifecycle Information:

[TE Connectivity:](#)

[1-1744426-3](#)