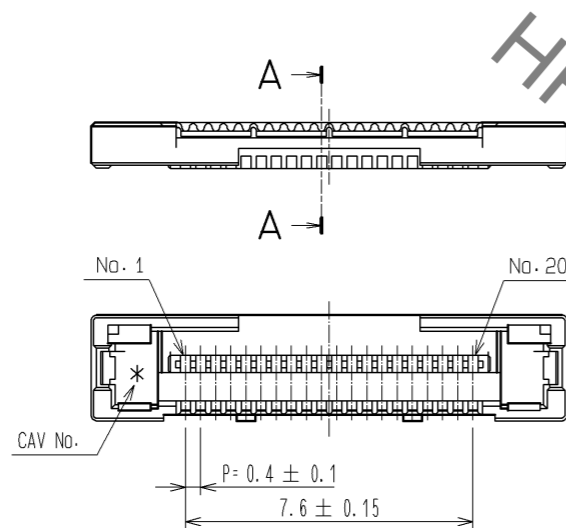
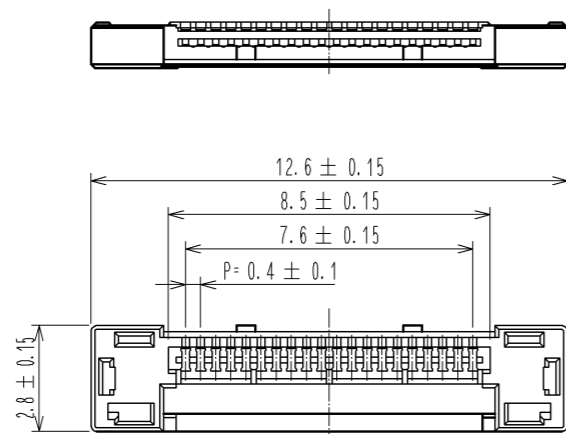
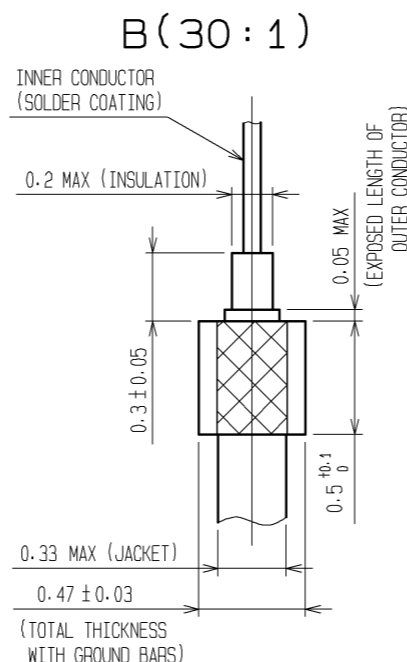
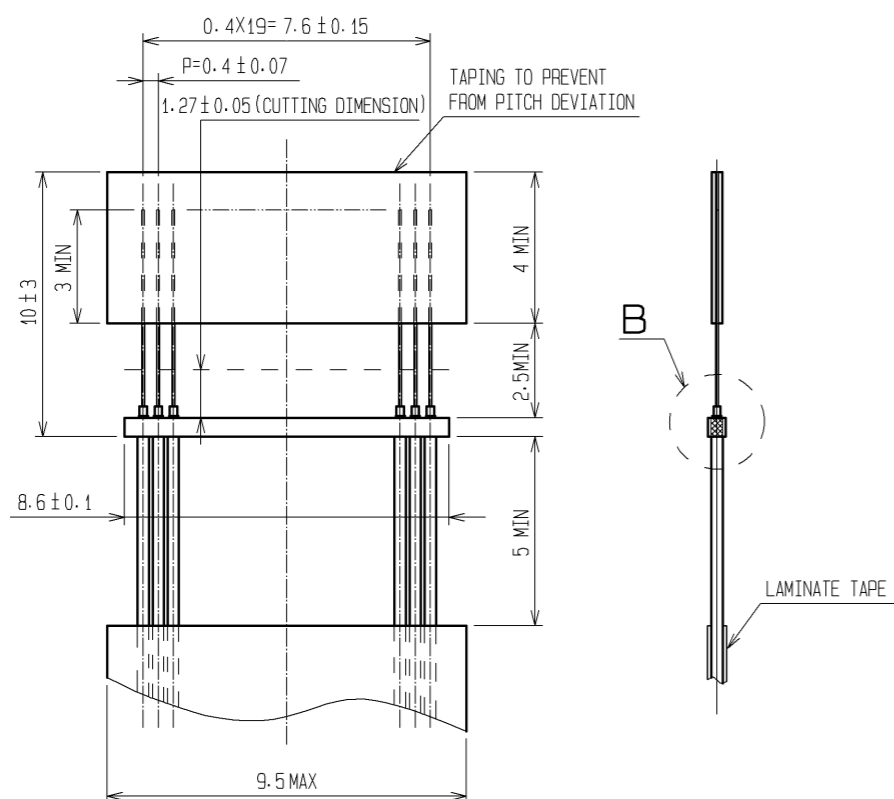


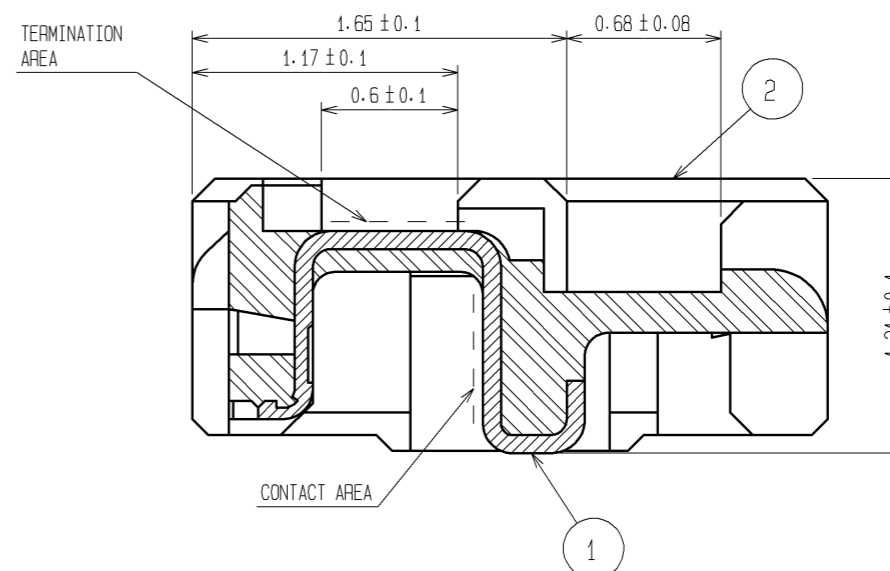
Sep.1.2020 Copyright 2020 HIROSE ELECTRIC CO., LTD. All Rights Reserved.
In case of consideration for using Automotive equipment / device which demand high reliability, kindly contact our sales window correspondents.



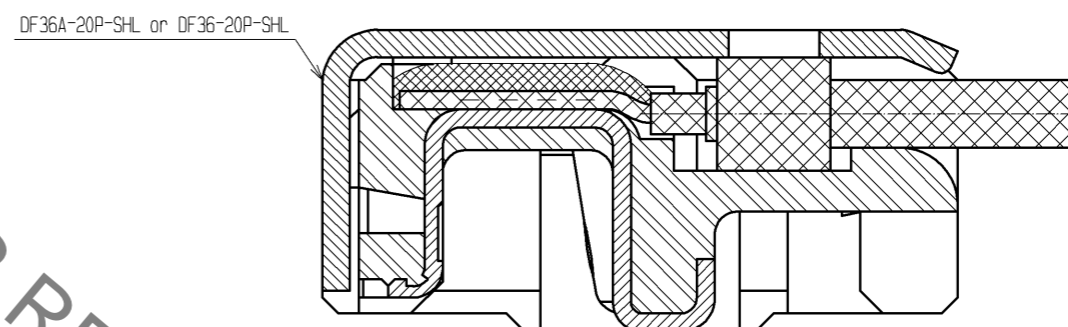
RECOMMENDED CABLE SUBASSEMBLY



A-A (30:1)



CABLE TERMINATION FIGURE(30:1)



NOTES 1. APPLICABLE CABLE: THIN COAXIAL CABLE (AWG#42-AWG#46)
2. THIS CONNECTOR IS NOT HOT PLUGGABLE. MATE AND UNMATE WHILE THE POWER IS OFF.
3. THE ASSEMBLY IS COMPLETED BY COMBINING TWO PARTS "CONNECTOR UNIT AND METAL SHIELDING". REFER TO THE TABLE FOR EACH ITEM No., PART NAME, PART No. AND CODE No. APPLICABLE SHELL IS DIFFERENT DEPENDING ON THE PART No. OF MATED CONNECTOR. USE DF36A-20P-SHL FOR DF36A-20S-0.4V(**), USE DF36-20P-SHL FOR DF36-20S-0.4V(**).

ITEM No.	PART NAME	PART No.	CODE No.
1, 2	CONNECTOR UNIT	DF36-20P-0.4SD(51)	CL662-4040-2-51
-	METAL SHIELDING	DF36A-20P-SHL	CL662-4042-8-00
-	METAL SHIELDING	DF36-20P-SHL	CL662-4041-5-00

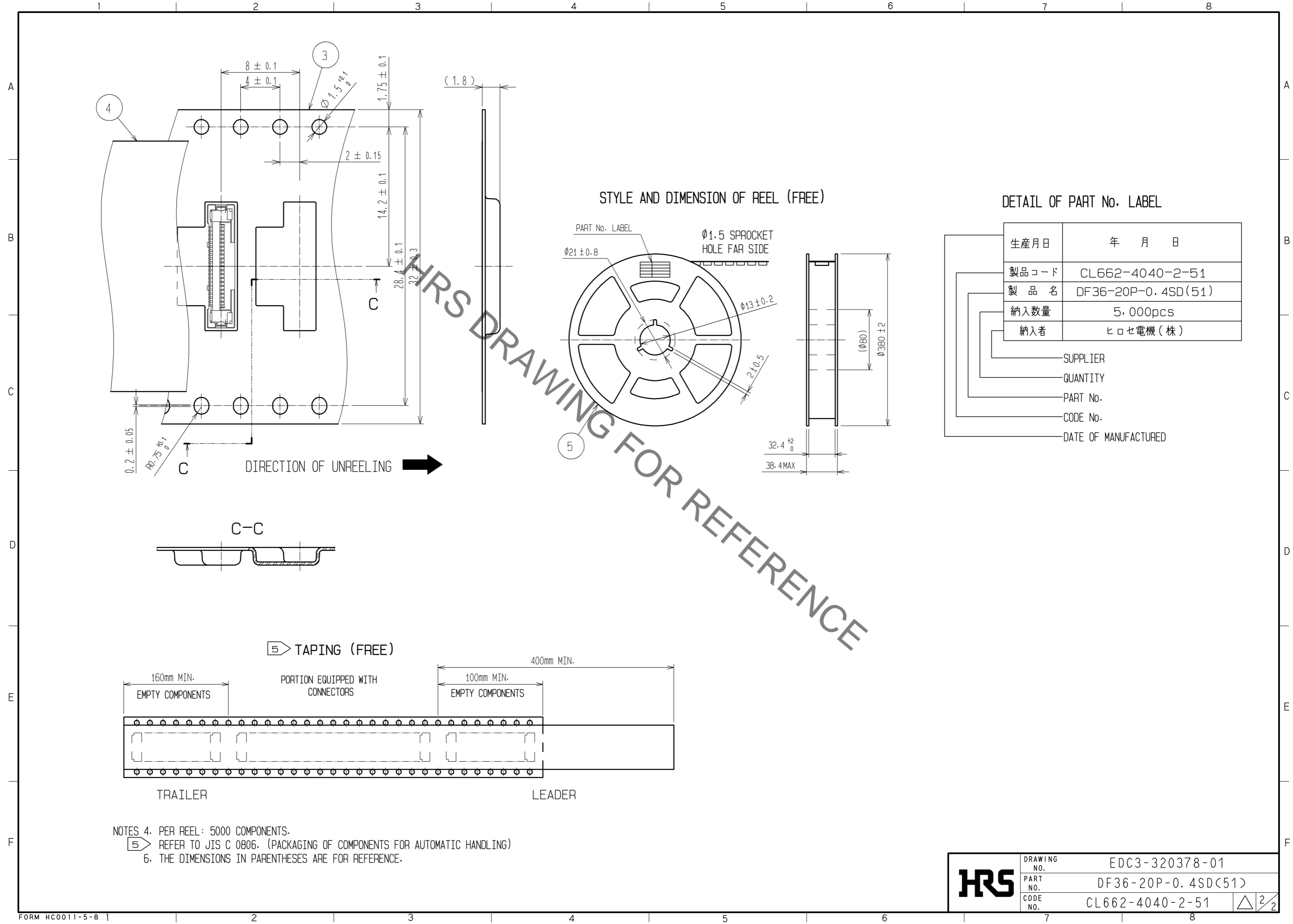
5	PS	BLACK
4	POLYESTER	CLEAR
3	PS	CLEAR
2	LCP	UL94V-0

NO.	MATERIAL	FINISH	REMARKS	NO.	MATERIAL	FINISH	REMARKS
1	PHOSPHOR BRONZE		CONTACT AREA : Au PLATING 0.1µm min TERMINATION AREA : Au PLATING 0.1µm min UNDER PLATING : Ni PLATING 1µm min	2	LCP		UL94V-0

UNITS	SCALE	COUNT	DESCRIPTION OF REVISIONS	DESIGNED	CHECKED	DATE
mm	5 : 1	△				

APPROVED : TS. SAKATA	09.04.17	DRAWING NO.	EDC3-320378-01
CHECKED : TS. FUKUSHIMA	09.04.17	PART NO.	DF36-20P-0.4SD(51)
DESIGNED : HY. SHIOZAWA	09.04.17	CODE NO.	CL662-4040-2-51
DRAWN : HY. SHIOZAWA	09.04.17		

Sep.1.2020 Copyright 2020 HIROSE ELECTRIC CO., LTD. All Rights Reserved.
 In case of consideration for using Automotive equipment / device which demand high reliability, kindly contact our sales window correspondents.



STYLE AND DIMENSION OF REEL (FREE)

DETAIL OF PART No. LABEL

生産月日	年 月 日
製品コード	CL662-4040-2-51
製品名	DF36-20P-0.4SD(51)
納入数量	5,000pcs
納入者	ヒロセ電機(株)

_____ SUPPLIER
 _____ QUANTITY
 _____ PART No.
 _____ CODE No.
 _____ DATE OF MANUFACTURED

- NOTES
- PER REEL: 5000 COMPONENTS.
 - REFER TO JIS C 0806. (PACKAGING OF COMPONENTS FOR AUTOMATIC HANDLING)
 - THE DIMENSIONS IN PARENTHESES ARE FOR REFERENCE.

HRS	DRAWING NO.	EDC3-320378-01
	PART NO.	DF36-20P-0.4SD(51)
	CODE NO.	CL662-4040-2-51
		\triangle 2/2