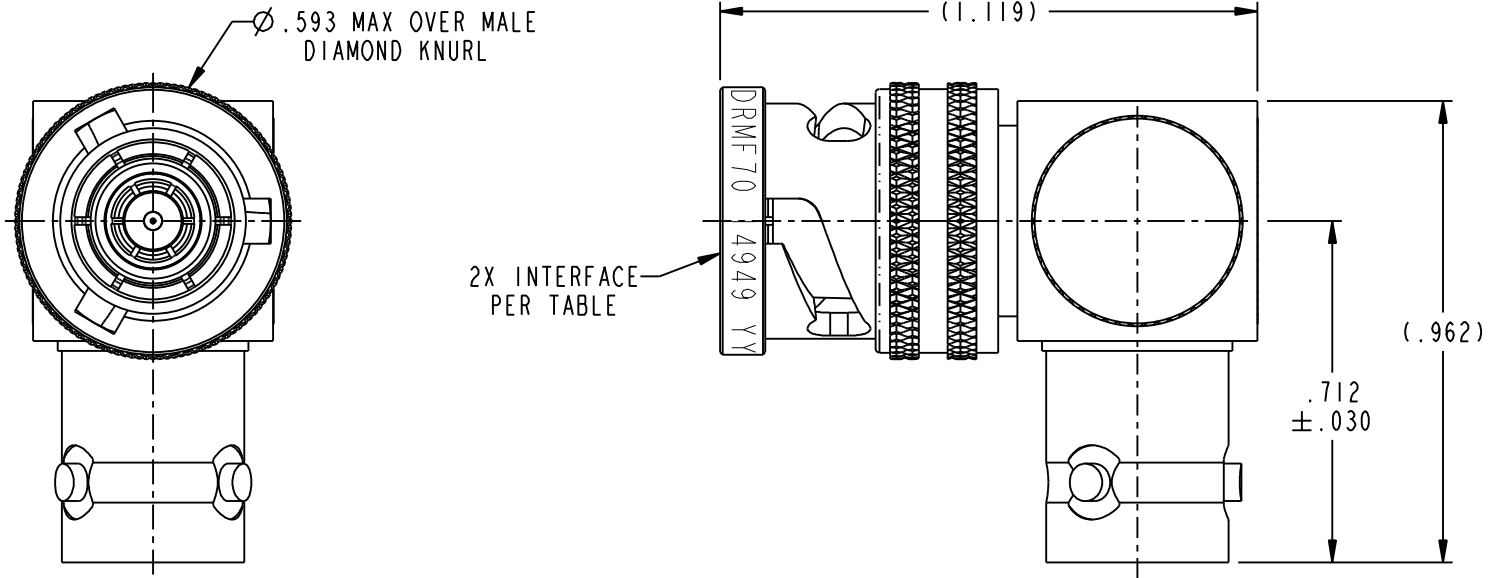
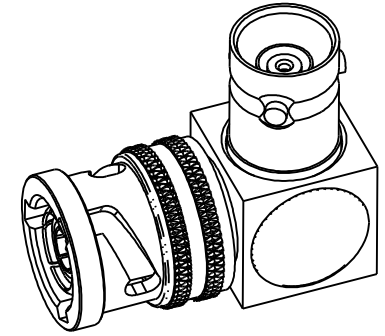


| MODEL NUMBER | DESCRIPTION (BOTH SIDES) | JACK INTERFACE PER MIL-STD-348 FIG XXX-X | PLUG INTERFACE PER MIL-STD-348 FIG XXX-X |
|--------------|--------------------------|--|--|
| ADRMF 70 | 3 LUG | 201-2 | 201-1 |
| ADRMF 70TL | 2 LUG | 201-2 | 201-1 |
| ADRMF 370 | THREADED | 202-2 | 202-1 |
| ADRMF 70FL | 4 LUG | 201-2 | 201-1 |



ADRMF 70 SHOWN

NOTES: UNLESS OTHERWISE SPECIFIED.

1. MATERIAL & FINISH:

- 1.1 BODY: NICKEL PLATED BRASS
- 1.2 INSULATOR: PTFE (TEFLON)
- 1.3 INTERMEDIATE CONTACT: GOLD PLATED COPPER ALLOY
- 1.4 DIELECTRIC: PTFE (TEFLON)
- 1.5 CENTER CONTACT: GOLD PLATED COPPER ALLOY
- 1.6 GASKET: SILICONE RUBBER

2. ELECTRICAL:

- 2.1 FREQUENCY (MAX): 500 MHz
- 2.2 IMPEDANCE: NON-CONSTANT

| | | | |
|--|--|---|------------------------|
| <p>This PROPRIETARY Document is property of Cinch Connectivity Solutions. It is confidential in nature, non-transferable, and issued with the clear understanding that it is not to be traced or copied without permission and is returnable upon demand.</p> <p>INTERPRET DRAWING IN ACCORDANCE WITH ASME Y14.5-2009.</p> | <p>3RD ANGLE PROJECTION</p> | <p>TROMPETER</p> | |
| | <p>RoHS2 <input checked="" type="checkbox"/></p> <p>2011/65/EU</p> | <p>Title: TRB/TRT RIGHT ANGLE ADAPTER</p> | |
| | <p>UNLESS OTHERWISE SPECIFIED UNITS: INCH</p> <p>.XX ± .02</p> <p>.XXX ± .010</p> <p>ANGLES ± 2°</p> | <p>Model No. ADRMFXXXX</p> | |
| | <p>Size A</p> | <p>DO NOT SCALE DRAWING</p> | <p>Date: 8/10/2015</p> |

Mouser Electronics

Authorized Distributor

Click to View Pricing, Inventory, Delivery & Lifecycle Information:

[Cinch Connectivity Solutions:](#)

[ADRMF70](#) [ADRMF370](#) [ADRMF70TL](#)