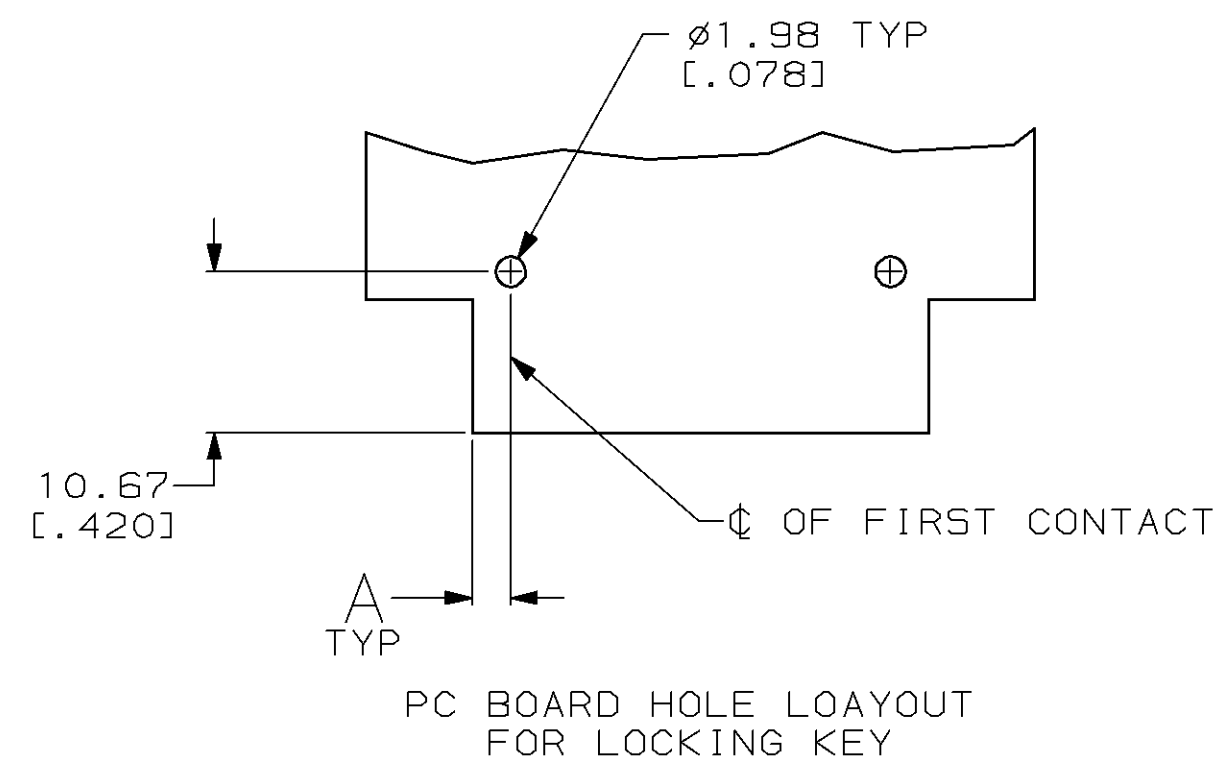
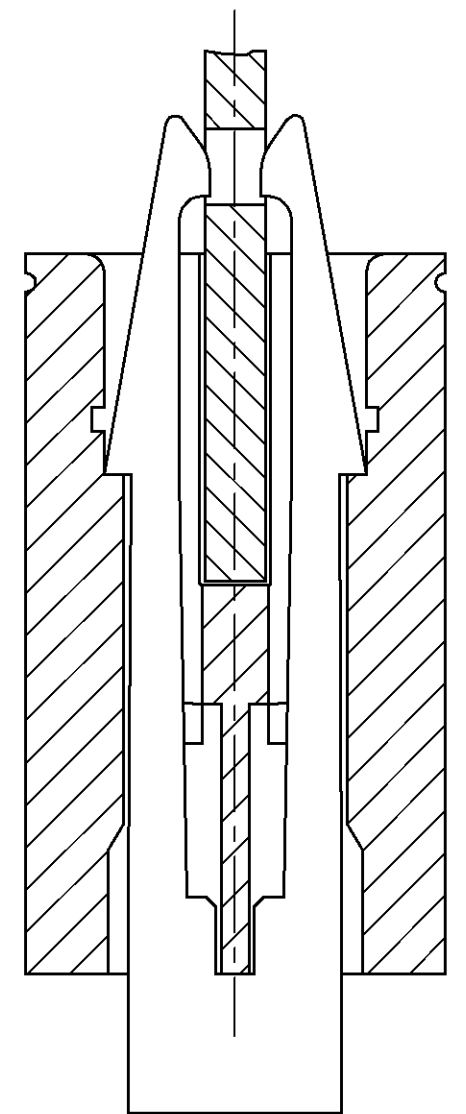
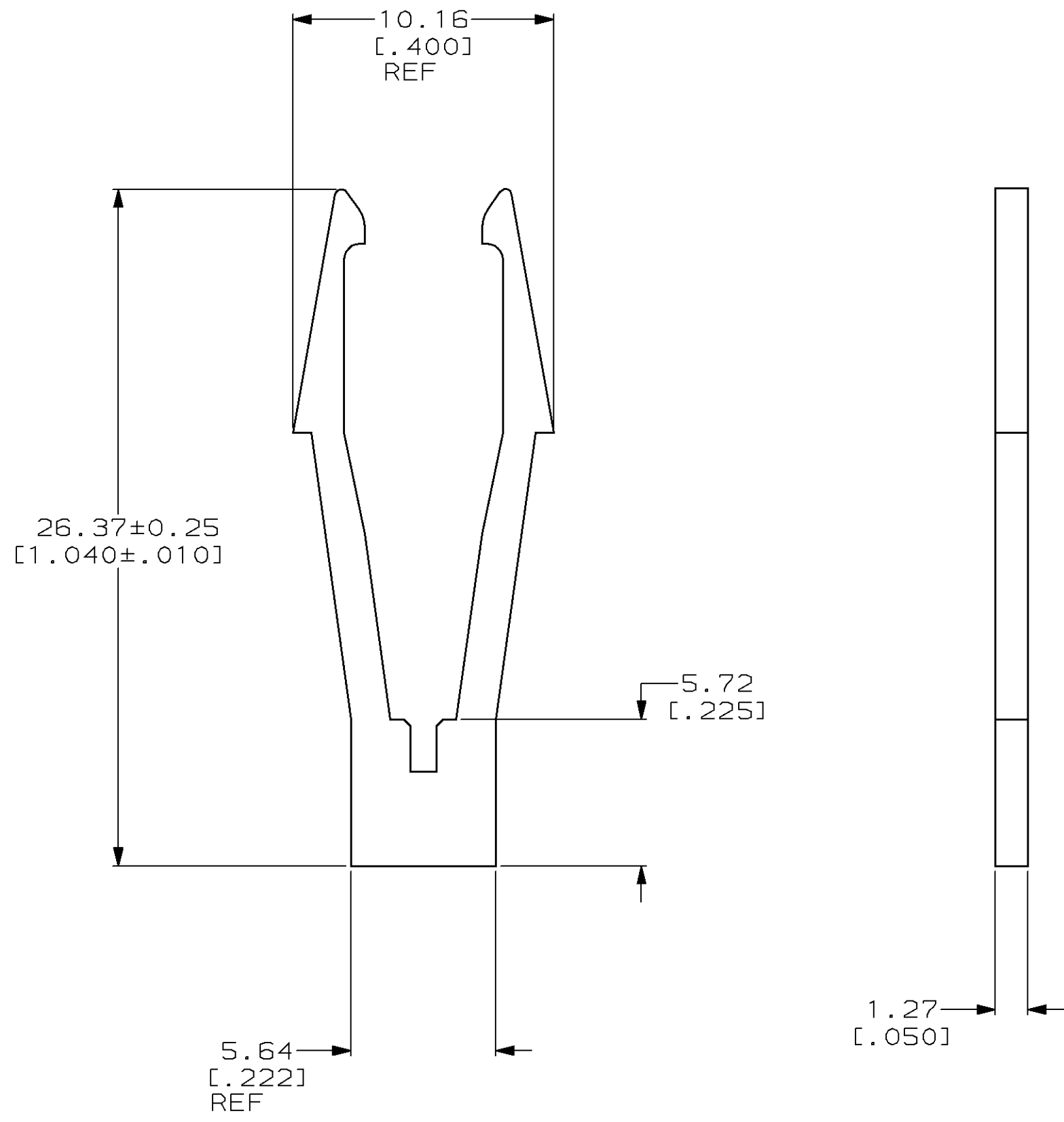


THIS DRAWING IS UNPUBLISHED. RELEASED FOR PUBLICATION, 19 .
 © COPYRIGHT 19 BY AMP INCORPORATED. ALL INTERNATIONAL RIGHTS RESERVED.

LOC	DIST	P	F	ZONE	LTR	DESCRIPTION	DATE	APPD
FT	22				C	REDRAWN PER 0010-0072-94	2/8/94	HR
					D	REV PER EC 0320-349-97	24 OCT 97	NS

1. FOR USE WITH CRIMP-SNAP TWIN LEAF HOUSING.



.156	.160
.125	.125
.100	.100
∅	A

530213-1
 PART NUMBER

DO NOT SCALE PRINT. UNLESS SPECIFIED DIMENSIONS IN mm [INCHES] TOLERANCES ON : 2 PLC DEC ± - 3 PLC DEC ± .010 ANGLES ± -		DR 8-2-93 A. STAUB BG		AMP Incorporated Harrisburg, PA 17105-3608	
MATERIAL NYLON		CHK 2/8/94 H ROSE			
FINISH -		APPD 2/8/94 M THUMMA		SIZE C 00779	
-		APPLICATION SPEC -		DRAWING NO C=530213	
-		WEIGHT -		SCALE 5:1	
				SHEET 1 OF 1	

THIS DRAWING IS A CONTROLLED DOCUMENT FOR AMP INCORPORATED. IT IS SUBJECT TO CHANGE AND THE CONTROLLING ENGINEERING ORGANIZATION SHOULD BE CONTACTED FOR THE LATEST REVISION.

Mouser Electronics

Authorized Distributor

Click to View Pricing, Inventory, Delivery & Lifecycle Information:

[TE Connectivity:](#)

[530213-1](#)