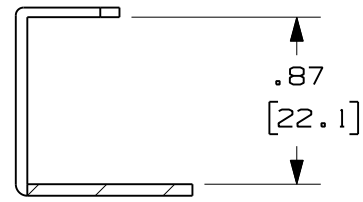
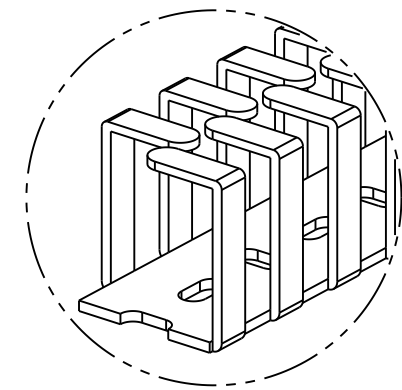
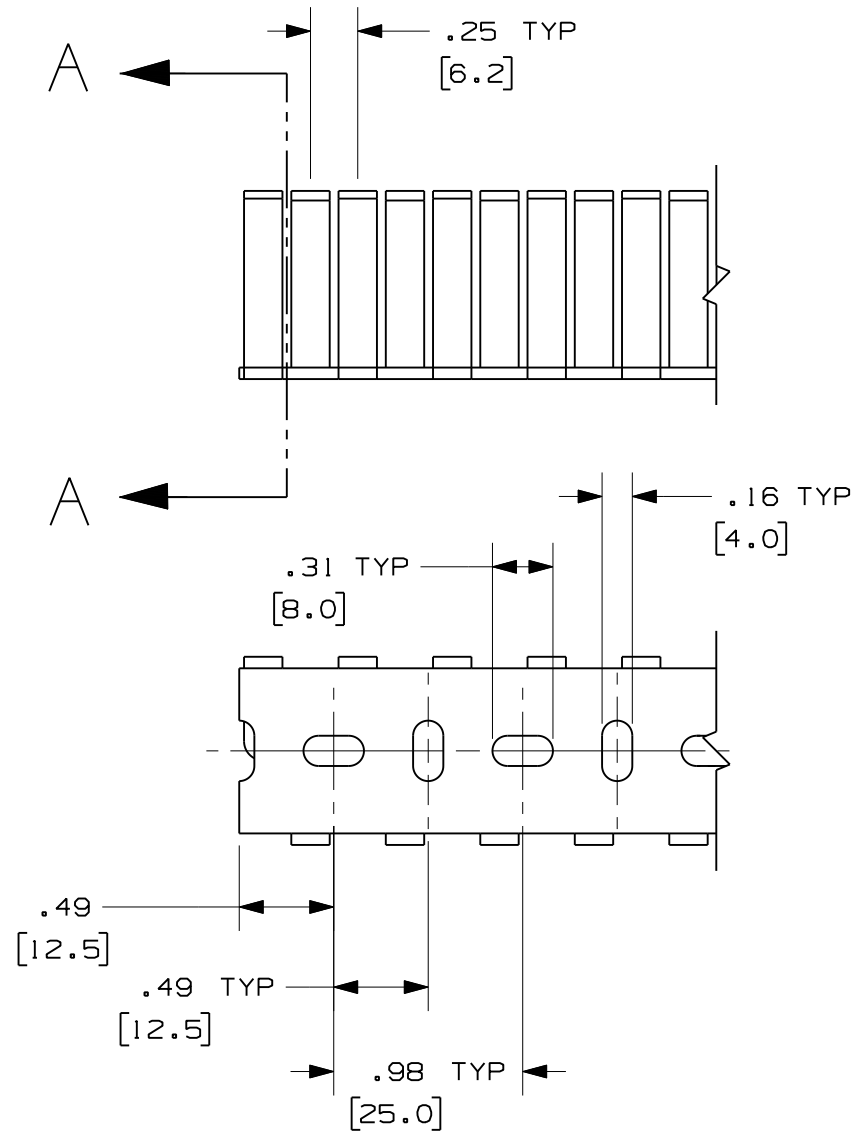
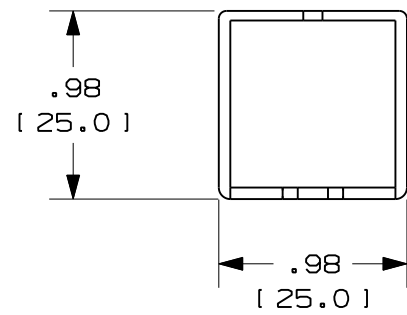


THIS COPY IS PROVIDED ON A RESTRICTED BASIS AND IS NOT TO BE USED IN ANY WAY DETRIMENTAL TO THE INTERESTS OF PANDUIT CORP.

- NOTE.
1. ALL DIMENSIONS ARE REFERENCE ONLY.
 2. DIMENSIONS IN PARENTHESES ARE METRIC.
 3. DUCT IS AVAILABLE IN 19.7 IN [500] LENGTHS.



SECTION A - A



CAD FILENAME/LAYERS		D110000L_DC_FL25x25/00A	
<h1>PANDUIT</h1> CORP. TINLEY PARK, ILLINOIS		WIRING DUCT - Type FL FLEXIBLE DUCT - FL25X25LG MARKETING DRAWING	
		DRAWN BY JCST	MAT'L: POLYPROPYLENE
R	10/13/08	JCST MKBE	DRAWING NO. 36897 - 1253
REV	DATE	BY	CHK
DESCRIPTION		DRAWING RELEASED	DWG B SIZE

Mouser Electronics

Authorized Distributor

Click to View Pricing, Inventory, Delivery & Lifecycle Information:

[Panduit:](#)

[FL25X25LG-A](#)