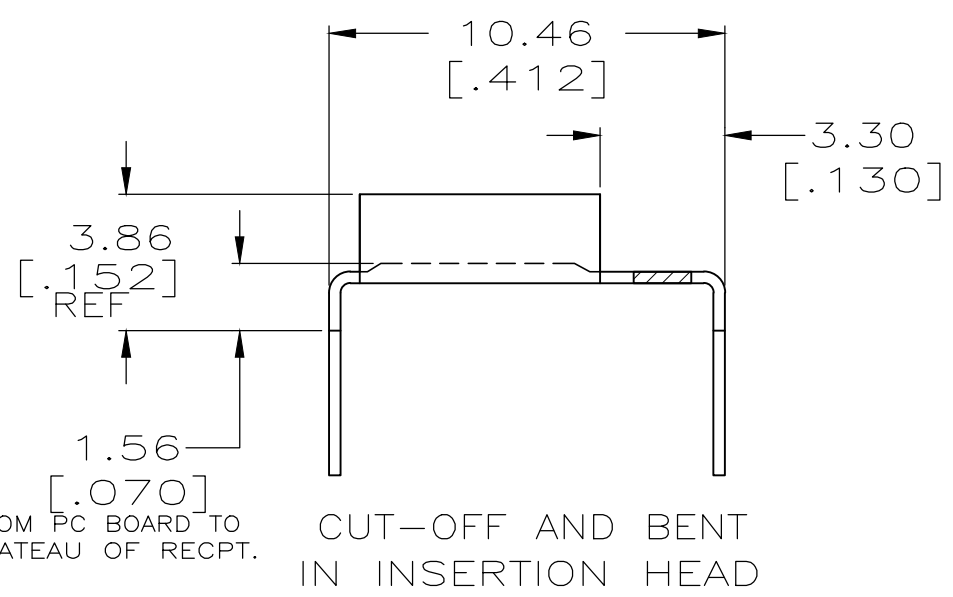
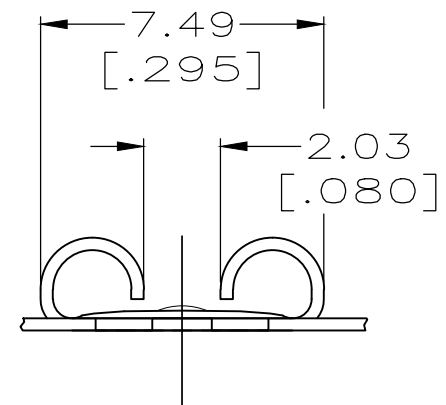
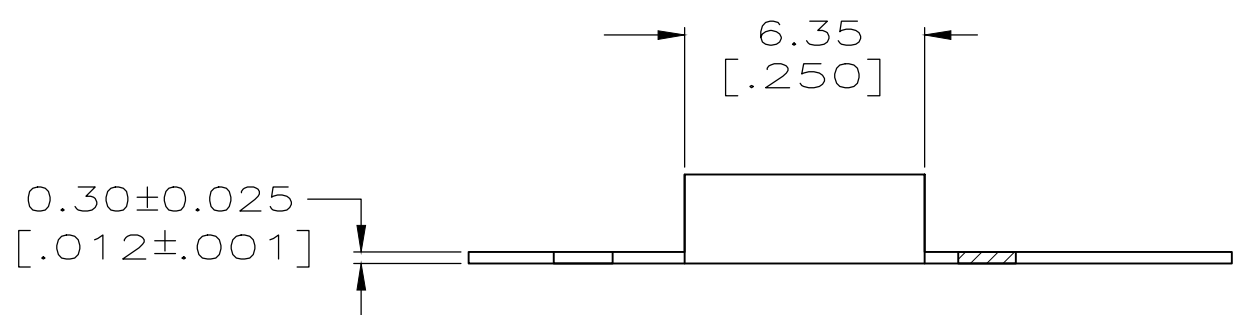
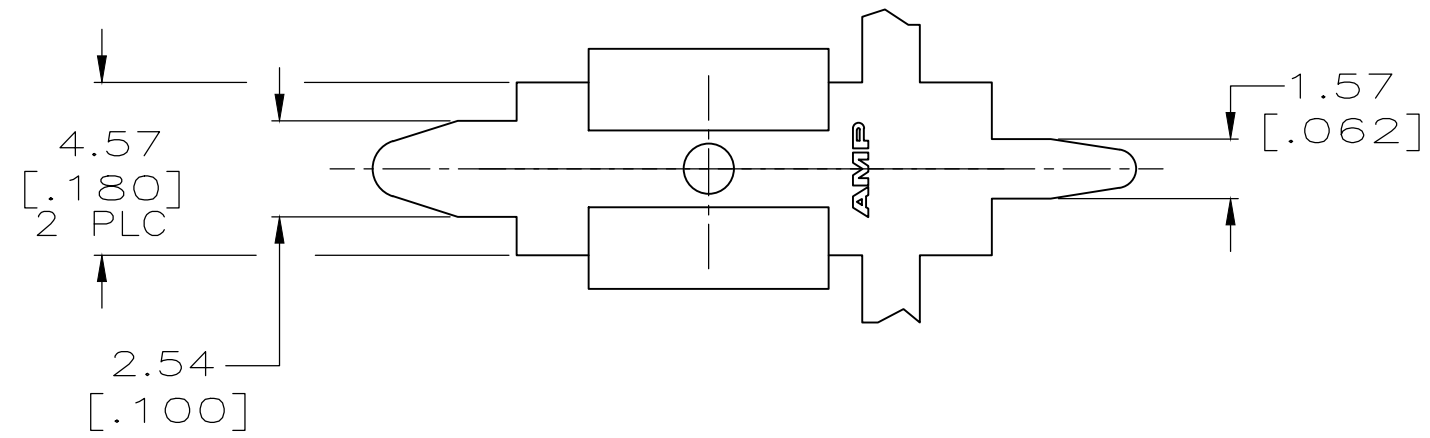


THIS DRAWING IS UNPUBLISHED. RELEASED FOR PUBLICATION ,19 .
 © COPYRIGHT 19 BY AMP INCORPORATED. ALL RIGHTS RESERVED.

LOC	DIST	REVISIONS			
P	LTR	DESCRIPTION	DATE	DWN	APVD
AF	50	C1	REVISED PER ECR-18-012188	08AUG2018	BDA DH

- MATING TAB THK IS 0.51 ± 0.025 $[\pm 0.020]$.
- CONTINUOUS STRIP ON REELS. TO BE CUT-OFF & BENT IN INSERTION HEAD.



1217107-1
PART NO.

THIS DRAWING IS A CONTROLLED DOCUMENT.		DWN	JR RUTH	11/14/97	STE TE CONNECTIVITY			
DIMENSIONS: MM [INCHES]		CHK	MS FEHER	11/14/97				
TOLERANCES UNLESS OTHERWISE SPECIFIED:		APVD	P DESANTIS	11/14/97	NAME			
0 PLC	±-	PRODUCT SPEC			RECEPTACLE, FASTON, 6.35 [.250] SERIES			
1 PLC	±-	APPLICATION SPEC			SIZE	CAGE CODE	DRAWING NO	RESTRICTED TO
2 PLC	±0.13 [.005]	MATERIAL			A3	00779	C- 1217107	-
3 PLC	±-	FINISH			CUSTOMER DRAWING			SCALE
4 PLC	±-	0.002032 [.000080] MIN TIN			SCALE			5:1
ANGLES	±-	WEIGHT			SHEET			1 OF 1
			REV			C1		

Mouser Electronics

Authorized Distributor

Click to View Pricing, Inventory, Delivery & Lifecycle Information:

[TE Connectivity:](#)

[1217107-1](#) [1217107-1 \(Loose Piece\)](#)