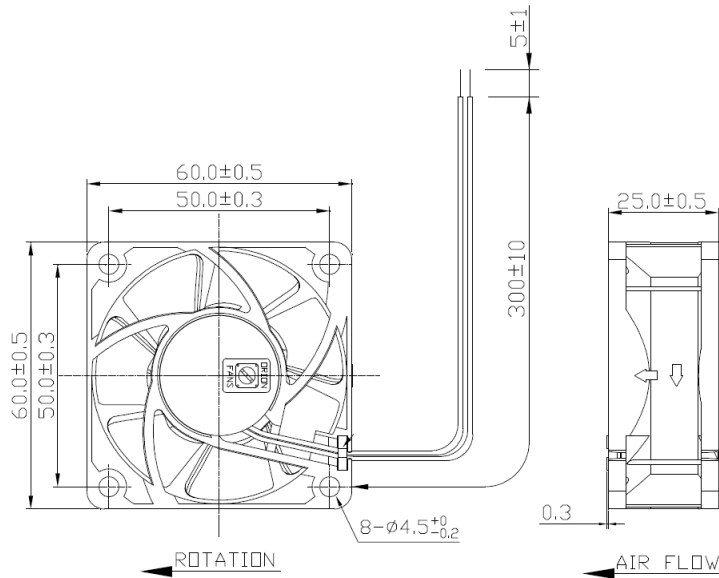


OD6025 Series



DC Fan - 5, 12, 24, 48V
60x25mm (2.36"x 1.0")



| | | | |
|-----------------------|---|--|--|
| Frame & Impeller | PBT, UL94V-0 plastic | Available Options: Tachometer Alarm PWM IP55 Life Expectancy (L10) Ball - 60,000 hrs (45C) Sleeve - 30,000 hrs (45C) Operating Temperature Ball: -10C ~ 70C Sleeve: -10C ~ +50C Weight: ~ 0.15 lbs m1 | |
| Connection | 2x Lead wires 24AWG | | |
| Motor | Brushless DC, auto restart, polarity protected | | |
| Bearing System | Ball bearing or Sleeve | | |
| Insulation Resistance | 10M ohm between leadwire and frame (500VDC) | | |
| Dielectric Strength | 1 minute at 500 VAC, max leakage < 500 MicroAmp | | |
| Storage Temperature | -40C ~ +80C | | |

| Model Number | Speed (RPM) | Airflow (CFM) | Noise (dB) | Volts DC | Input Power (Watts) | Amps | Max. Static Pressure ("H ₂ O) |
|---------------|-------------|---------------|------------|----------|---------------------|------|--|
| OD6025-05H* | 4500 | 23 | 33 | 5 | 1.8 | 0.35 | 0.25 |
| OD6025-12HH * | 5100 | 28 | 40 | 12 | 3.1 | 0.25 | 0.24 |
| OD6025-12H * | 4500 | 24 | 33 | 12 | 2.8 | 0.23 | 0.25 |
| OD6025-12M * | 3500 | 18 | 27 | 12 | 1.6 | 0.13 | 0.15 |
| OD6025-12L * | 2500 | 13 | 19 | 12 | 1.0 | 0.08 | 0.08 |
| OD6025-24HH * | 5100 | 28 | 40 | 24 | 3.9 | 0.16 | 0.24 |
| OD6025-24H * | 4500 | 24 | 33 | 24 | 2.9 | 0.12 | 0.25 |
| OD6025-24M * | 3500 | 18 | 27 | 24 | 2.2 | 0.09 | 0.15 |
| OD6025-24L * | 2500 | 13 | 19 | 24 | 1.0 | 0.06 | 0.08 |
| OD6025-48H* | 4200 | 28 | 30 | 48 | 3.4 | 0.07 | 0.24 |

To indicate sleeve bearing replace "B" suffix with "S" in part number (30,000 hrs life expectancy)
 To indicate sealed sleeve bearing replace "B" with "SS" in part number (50,000 hrs life expectancy)

Mouser Electronics

Authorized Distributor

Click to View Pricing, Inventory, Delivery & Lifecycle Information:

Orion Fans:

[OD6025-05LB](#) [OD6025-05MS](#) [OD6025-05MB](#) [OD6025-05HS](#) [OD6025-05LS](#) [OD6025-05HB](#) [OD6025-24MS](#)
[OD6025-24MB](#) [OD6025-24HB](#) [OD6025-24LB](#) [OD6025-24HS](#) [OD6025-24LS](#) [OD6025-12HB](#) [OD6025-12LS](#)
[OD6025-12MS](#) [OD6025-12LB](#) [OD6025-12MB](#) [OD6025-12HB-M3](#) [OD6025-24HHB](#) [OD6025-24HB01](#) [OD6025-48HB](#)
[OD6025-12HB02A](#) [OD6025-12HBTAIWAN](#) [OD6025-12HB01A](#) [OD6025-24HB01A](#) [OD6025-12HBIP55](#) [OD6025-](#)
[24HB02A](#) [OD6025-48HS](#) [OD6025-12HS-C](#) [OD6025-48LS](#) [OD6025-12HHB](#) [OD6025-48HBIP55](#)