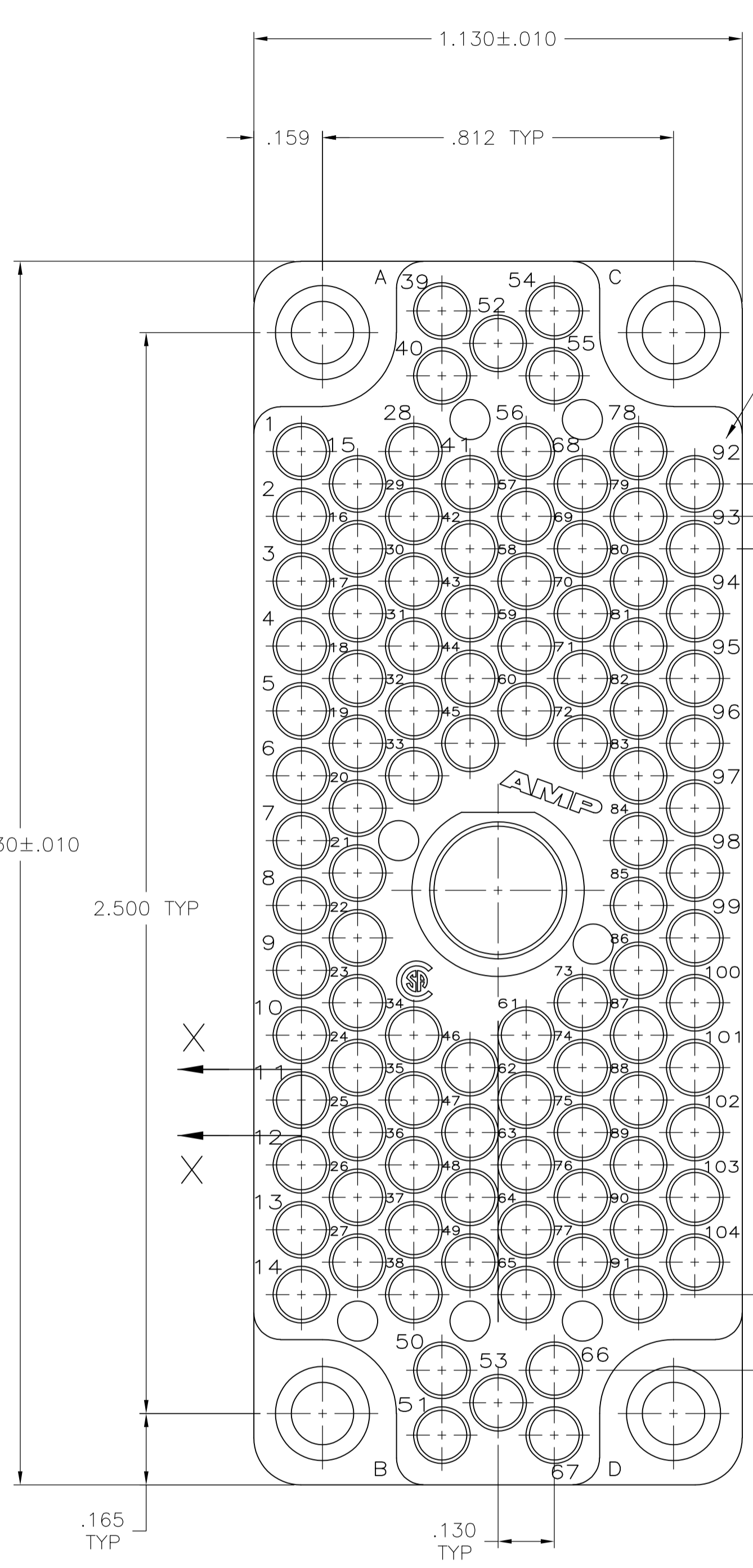
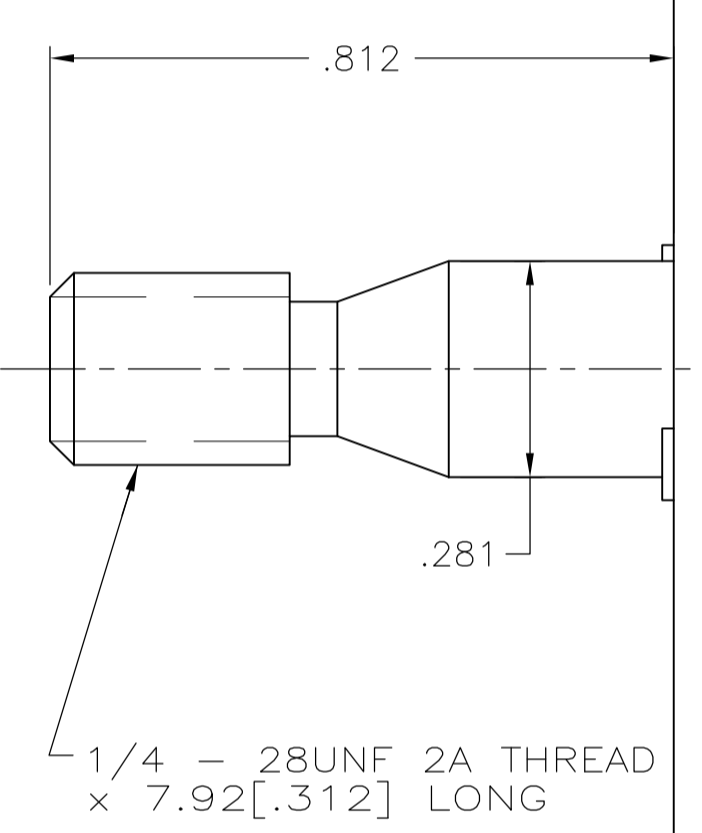


REVISIONS				
P	LTR	DESCRIPTION	DATE	APP'D
AN3	REVISED PER	ECO-16-004000	28SEP2016	NK MZ

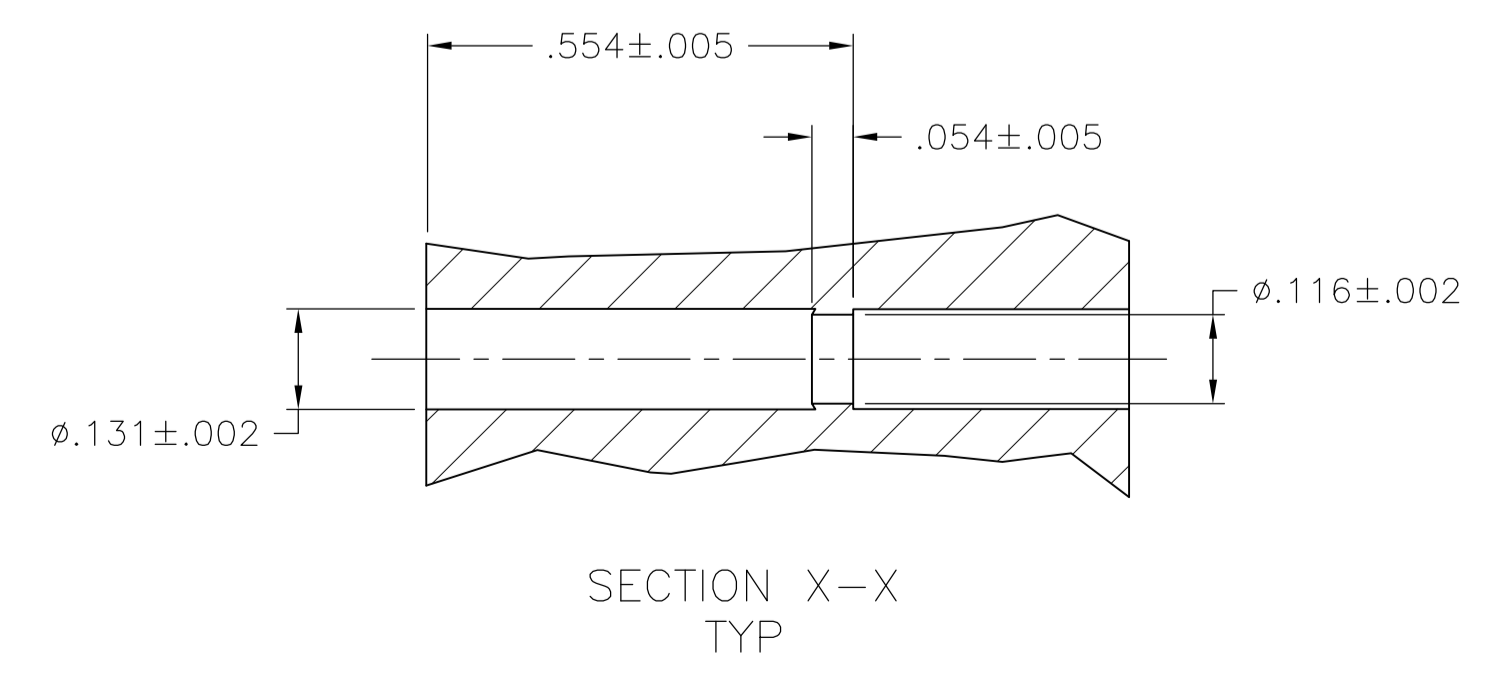
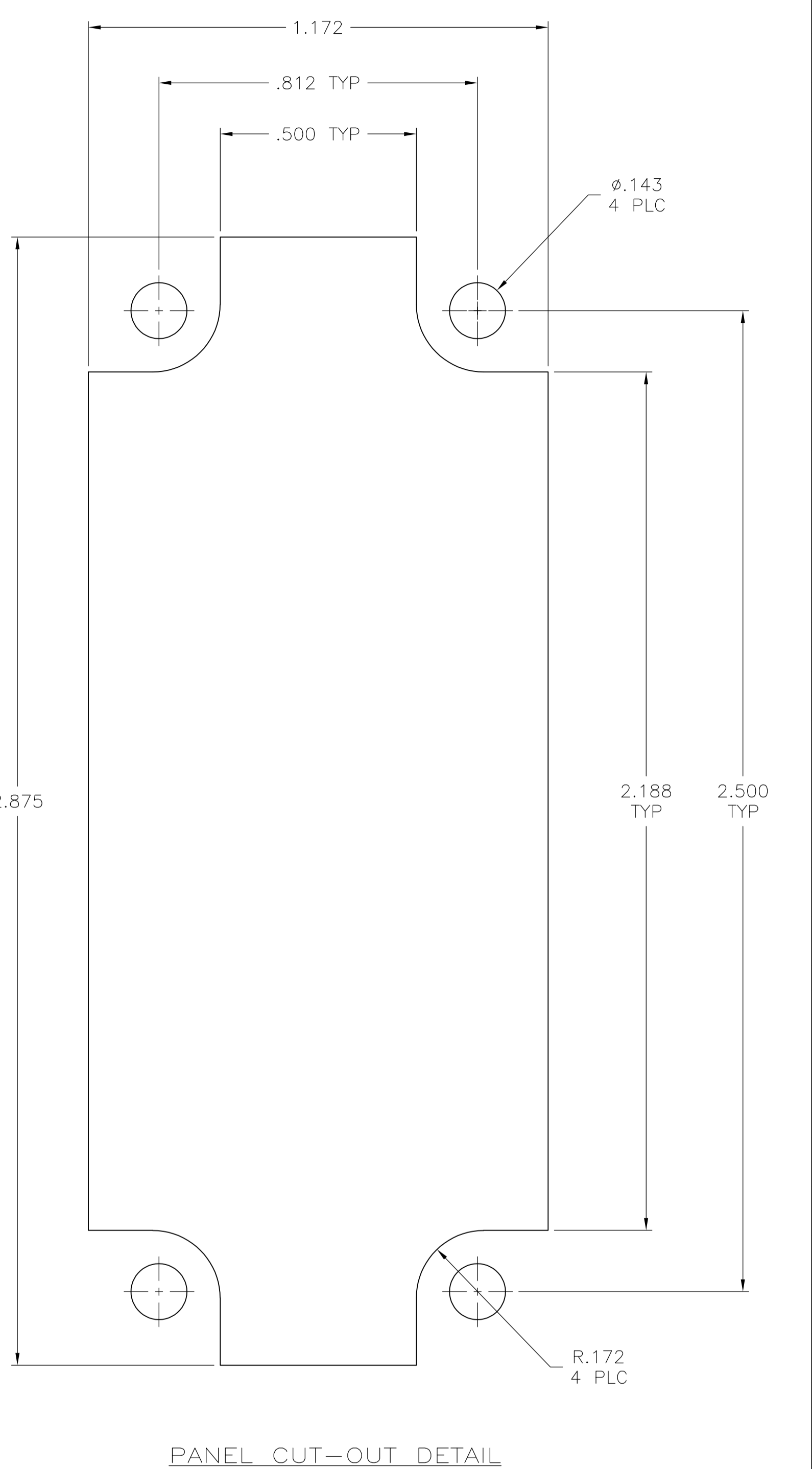
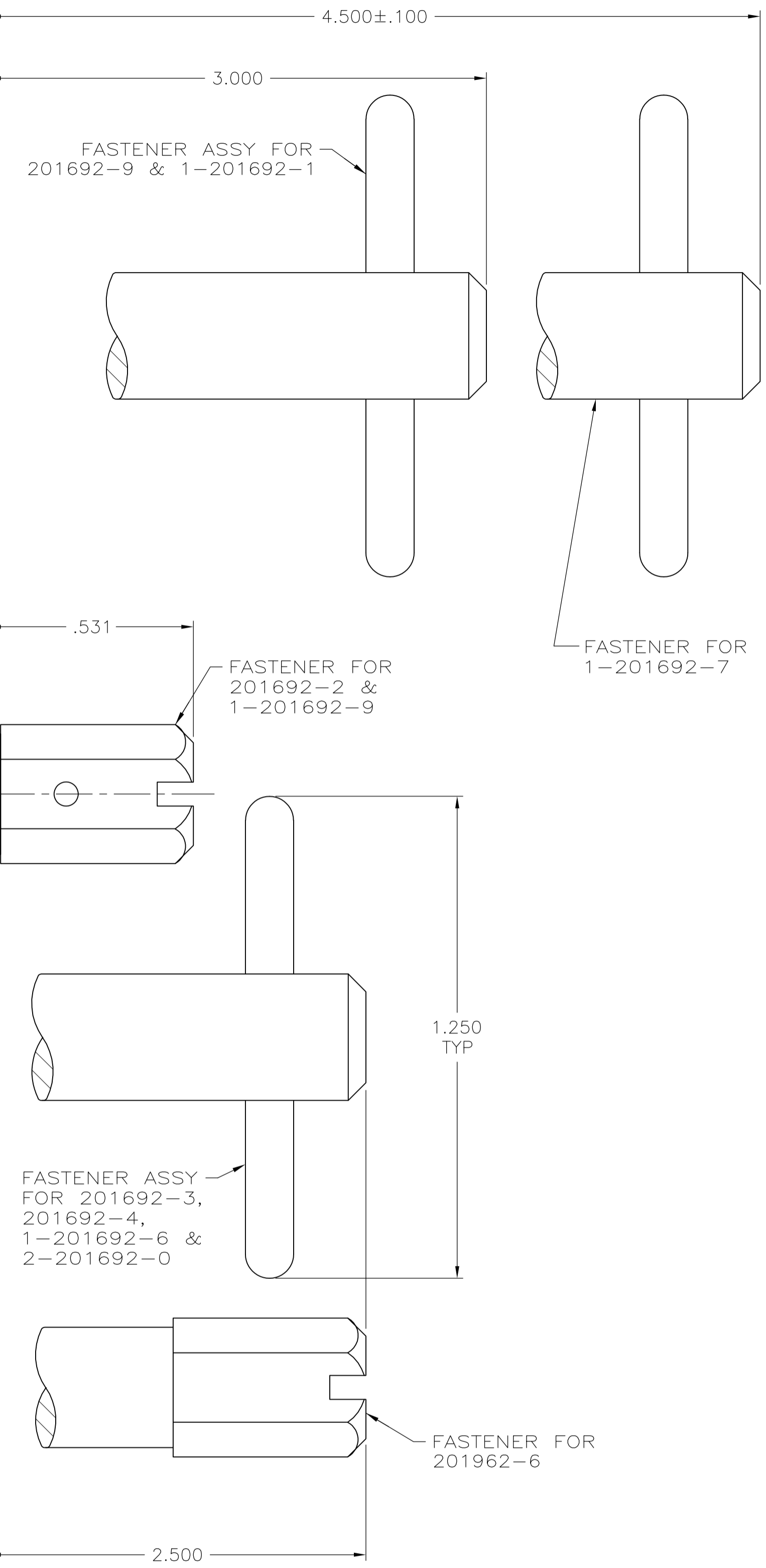


MATING FACE
MOLDED CHARACTERS BOTH SIDES

.150 TYP
.075 TYP



AMP, PART NUMBER & DATE CODE IN THIS AREA



- 1 PHENOLIC PER MIL-M-14F, TYPE MFH, BLACK.
- 2 DIALLYL PHTHALATE PER MIL-M-14F, TYPE SDG-F, BLUE.
- 3 VALOX 420 SEO.
- 4 ACCOMMODATES TYPE II OR TYPE III SIZE #16 SOCKET CONTACTS.
- 5 STAINLESS STEEL.
- 6 FOR MATING BLOCK SEE CUSTOMER DRAWING 201532.

OBSOLETE	REV	PART NUMBER
	1	-2-201692-0
	3	1-201692-9
	1	1-201692-7
	3	1-201692-6
	1	1-201692-1
	2	201692-9
	1	201692-6
	1	201692-4
	2	201692-3
	1	201692-2

THIS DRAWING IS A CONTROLLED DOCUMENT.

DIMENSIONS: INCHES	TOLERANCES UNLESS OTHERWISE SPECIFIED:	DRAWING NO	REV
0 PLC ± -	1 PLC ± -	A1	00779
2 PLC ± 0.38[.015]	3 PLC ± -	DATE	14 DEC 95
4 PLC ± -	ANGLES ± -	APP'D	C. REIFSNYDER
MATERIAL: BLOCK: SEE TABLE HARDWARE & INSERTS	FINISH: -	NAME	C. DORWART
		PRODUCT SPEC	G.A. STEINHAUER
		APPLICATION SPEC	03 JAN 96
		SIZE	A1
		WEIGHT	00779
		CAGE CODE	201692
		SCALE	4:1
		SHEET	1 OF 1
		REV	AN3

STE TE Connectivity

PLUG BLOCK ASSEMBLY, 104 POSITION, RECTANGULAR M SERIES