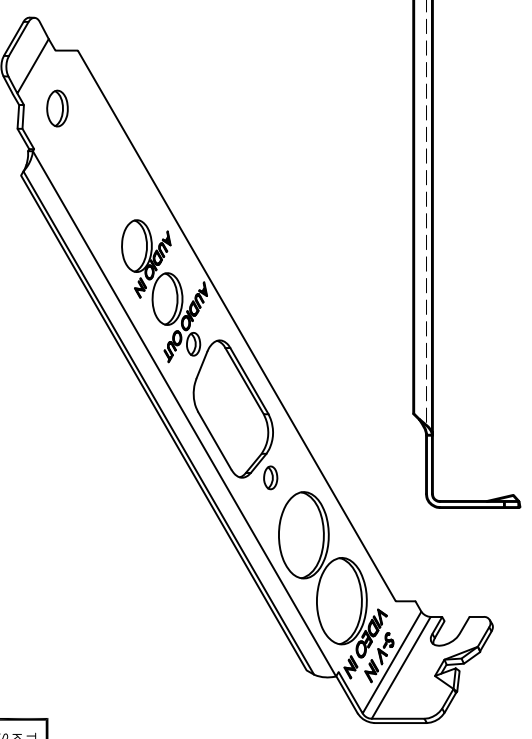
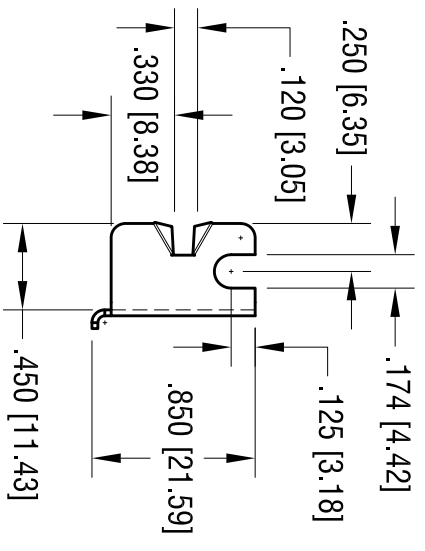
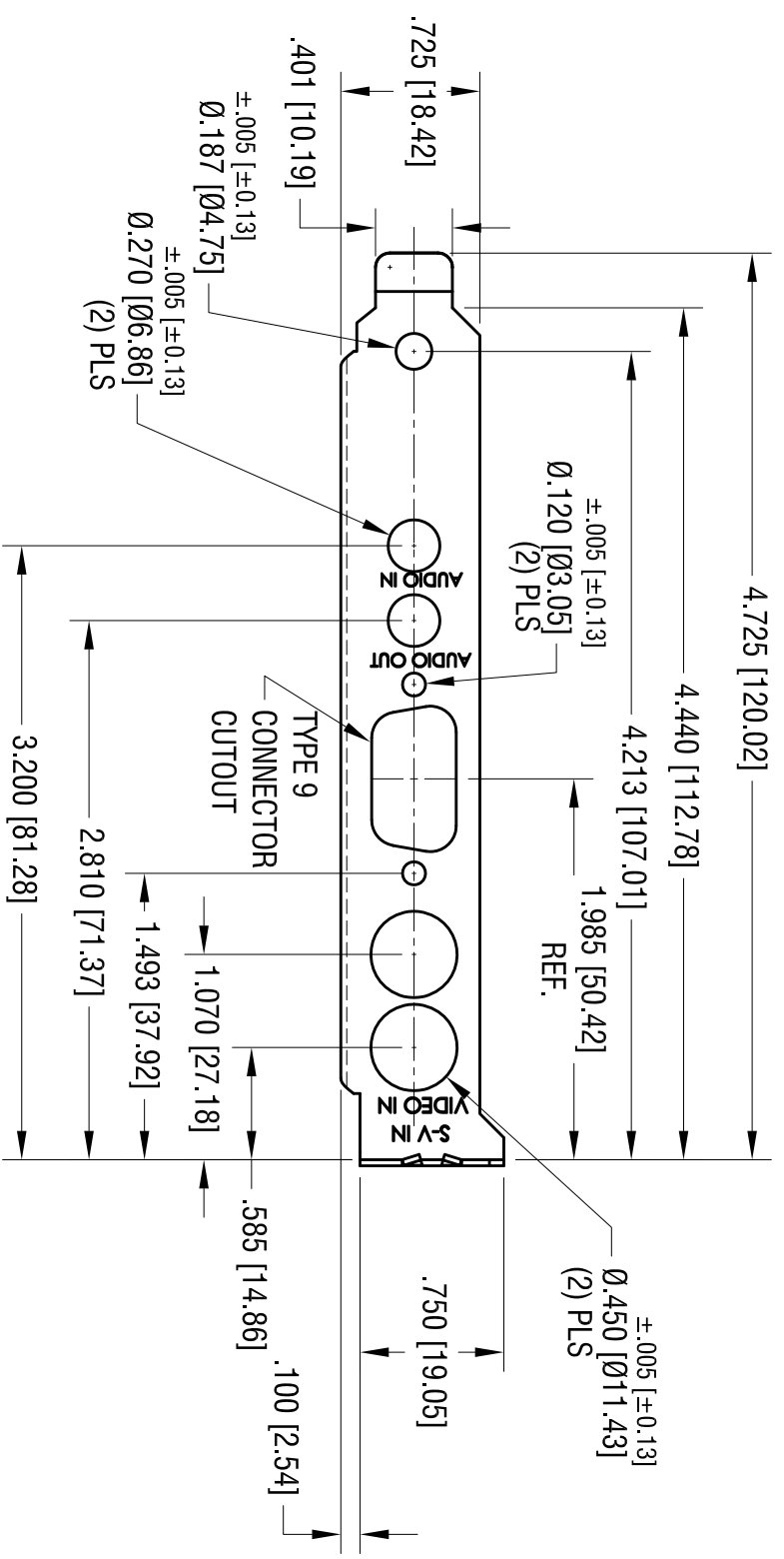


DATE	DESCRIPTION	REV.
11.16.06	CHANGE AS PER ECN 06-077	B
8.20.15	CHANGE AS PER ECN 15-083	C



KEYSTONE ELECTRONICS CORP.			
www.keystec.com • ASTORIA, N.Y. 11105-2017 • Tel (718) 956-8900			
PART NAME COMPUTER CARD BRACKET			
MATERIAL .031[0.78] THK STEEL			
FINISH NICKEL PLATE			
TOLERANCES		INCH	[MM]
DECIMAL	± .015	[± 0.38]	
ANGULAR	± 1°		
UNLESS OTHERWISE SPECIFIED			
DRN BY	BOONE	DATE	6.15.98
APP'D	LN	SCALE	1X
CODE	DWG NO.	9201-1	

THIS DOCUMENT IS THE PROPERTY OF KEYSTONE ELECTRONICS CORP. AND SHALL NOT BE REPRODUCED, DISTRIBUTED OR USED AS A BASIS FOR MANUFACTURE WITHOUT PRIOR WRITTEN PERMISSION FROM KEYSTONE ELECTRONICS CORP.

Mouser Electronics

Authorized Distributor

Click to View Pricing, Inventory, Delivery & Lifecycle Information:

[Keystone Electronics:](#)

[9201-1](#)