

4

3

2

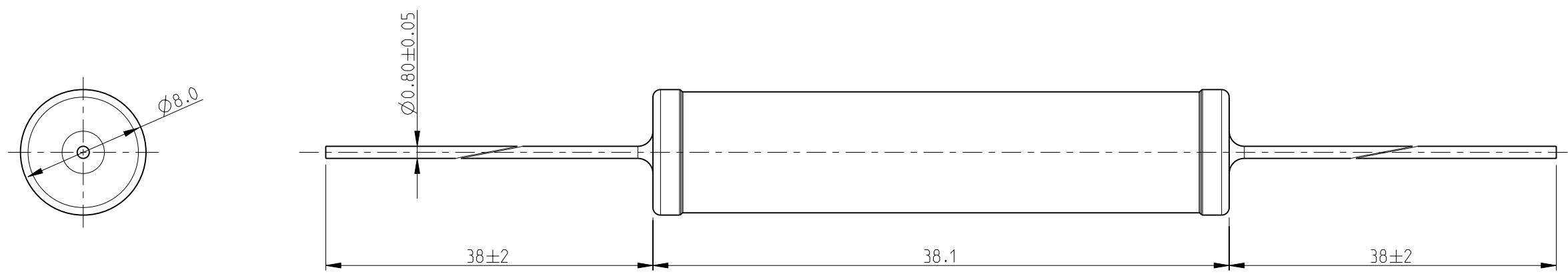
1

THIS DRAWING IS UNPUBLISHED. RELEASED FOR PUBLICATION 2010

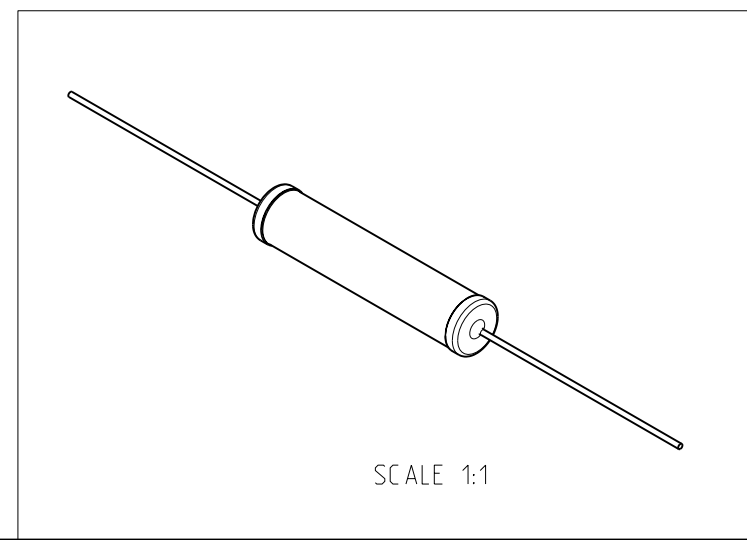
© COPYRIGHT 2010 BY TYCO ELECTRONICS CORPORATION. ALL RIGHTS RESERVED.

LOC	DIST	REVISIONS			
P	LTR	DESCRIPTION	DATE	DWN	APVD
E	B	BA	NEW RELEASE	11-FEB-10	MRS St.P

FOR FURTHER INFORMATION SEE DATA SHEET FOR SERIES ER/ERV- HIGH POWER RESISTORS



RoHS Compliant



<small>THIS DRAWING IS A CONTROLLED DOCUMENT FOR TYCO ELECTRONICS CORPORATION IT IS SUBJECT TO CHANGE AND THE CONTROLLING ENGINEERING ORGANIZATION SHOULD BE CONTACTED FOR THE LATEST REVISION.</small>		DWN	MAHARUDRA	11-FEB-10	Tyco Electronics Corporation Dorcan, Swindon, SN3 5HH				
DIMENSIONS: mm		CHK	ALLAN.P	11-FEB-10					
		APVD	STEPHEN.P	11-FEB-10					
TOLERANCES UNLESS OTHERWISE SPECIFIED: 0 PLC ±0.2 1 PLC ±0.1 2 PLC ±- 3 PLC ±- 4 PLC ±- ANGLES ±5°		PRODUCT SPEC	NAME			HIGH POWER RESISTORS SERIES ER16			
MATERIAL	-	FINISH	-	-	APPLICATION SPEC	-			
-		-		WEIGHT	-	RESTRICTED TO	-		
CUSTOMER DRAWING				SCALE	3:1	SHEET	1 OF 1	REV	BA

Mouser Electronics

Authorized Distributor

Click to View Pricing, Inventory, Delivery & Lifecycle Information:

[TE Connectivity:](#)

[ER1647RJL](#)