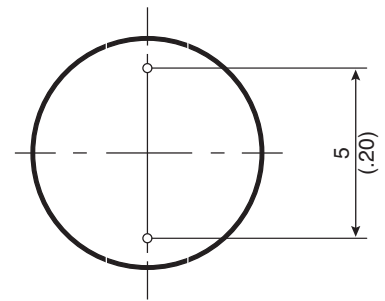
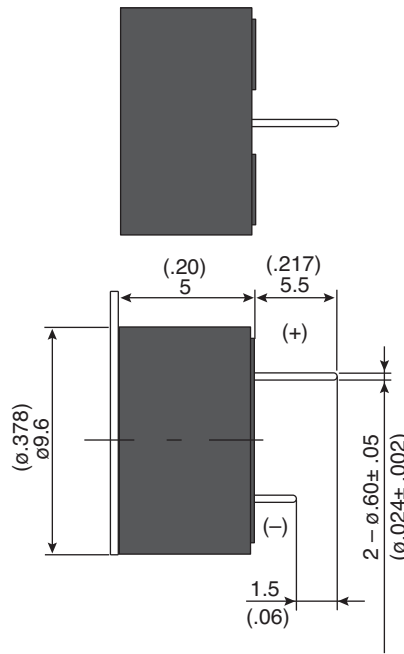
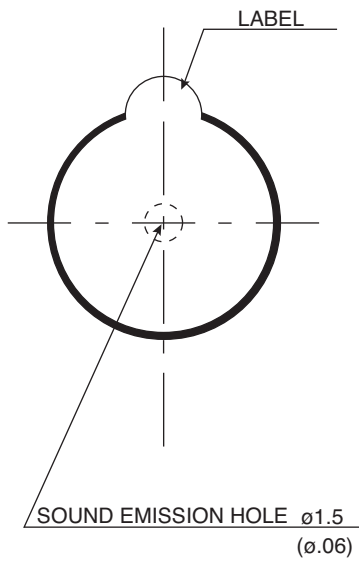


**Part Number:**

254-EMB105-RO

Magnetic Buzzer



KT-400386

**Electrical Specifications:**

- Rated Voltage: 5VDC
- Operating Voltage: 3 ~ 7VDC
- Consumption Current: Mean 25mA(Max) Peak 75mA(Min)
- Sound Output: 80dBA(Min)
- Basic Frequency: 2500Hz $\pm$  200

**Mechanical Specifications:**

- Operating Temperature: -30°C ~ +75°C
- Storage Temperature: -40°C ~ +85°C

**Note:**

- RoHS Compliant

# Mouser Electronics

Authorized Distributor

Click to View Pricing, Inventory, Delivery & Lifecycle Information:

[Kobitone:](#)

[254-EMB105-RO](#)