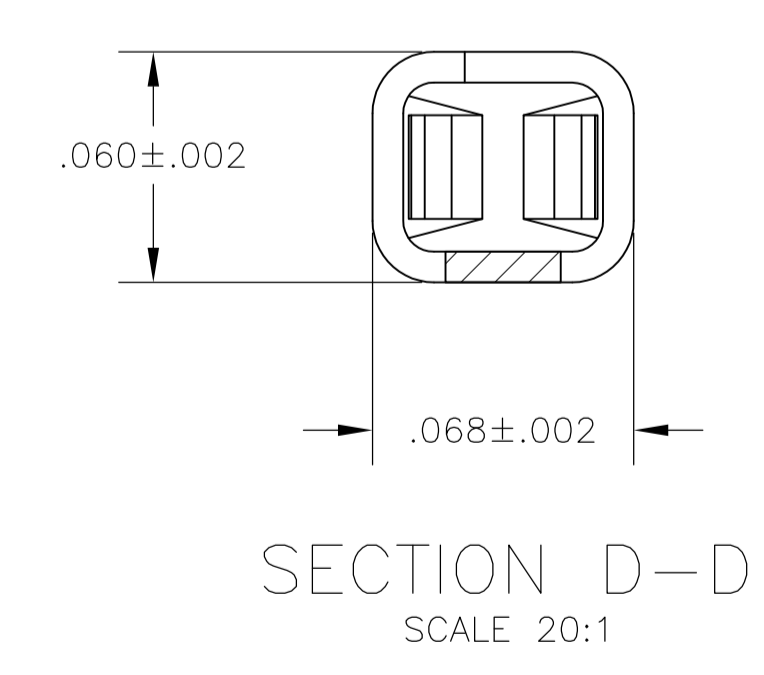
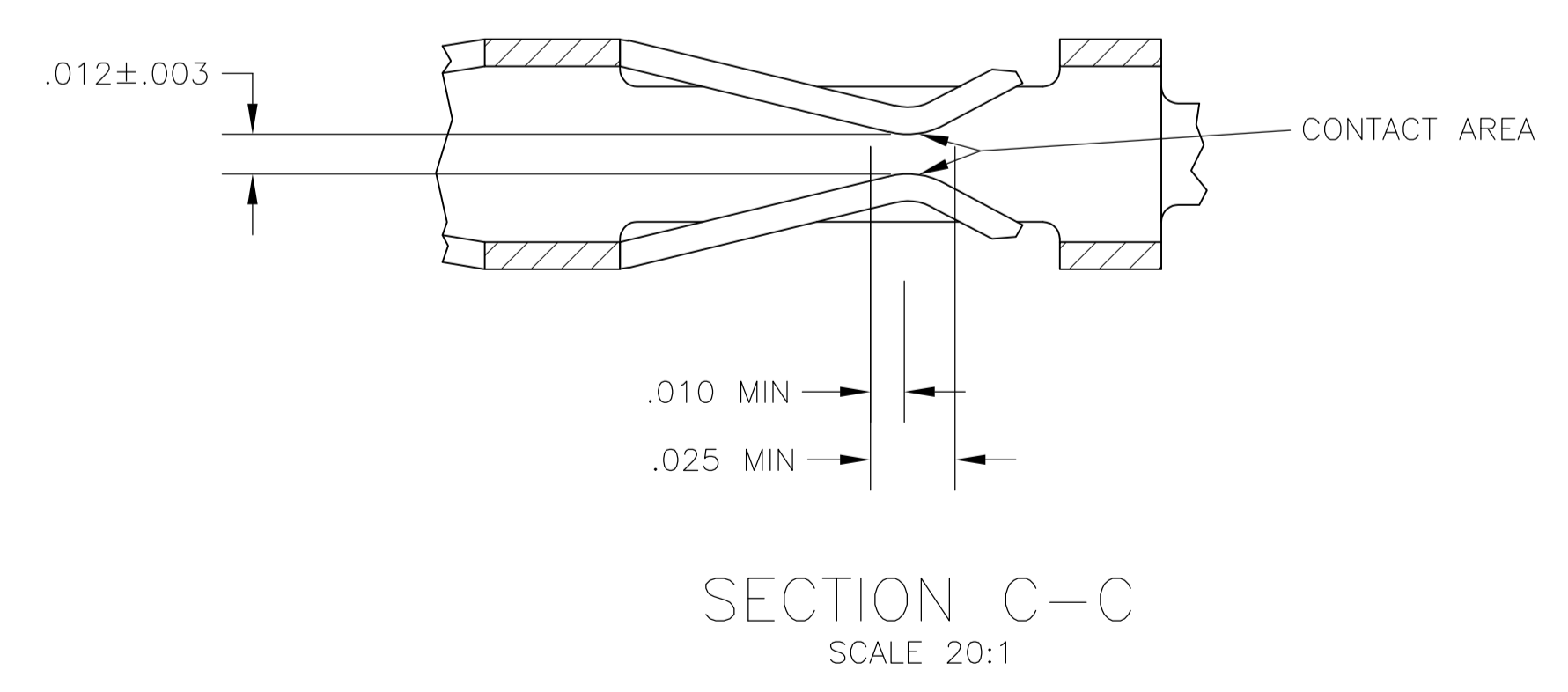
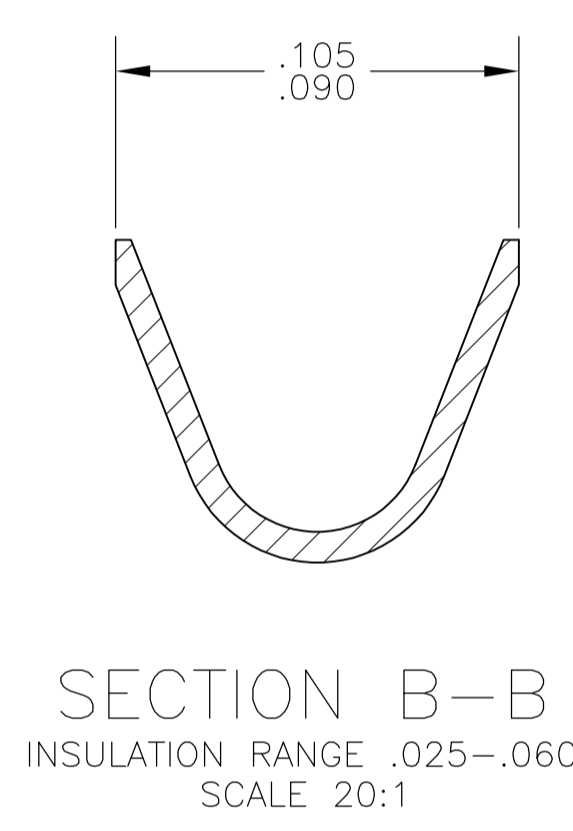
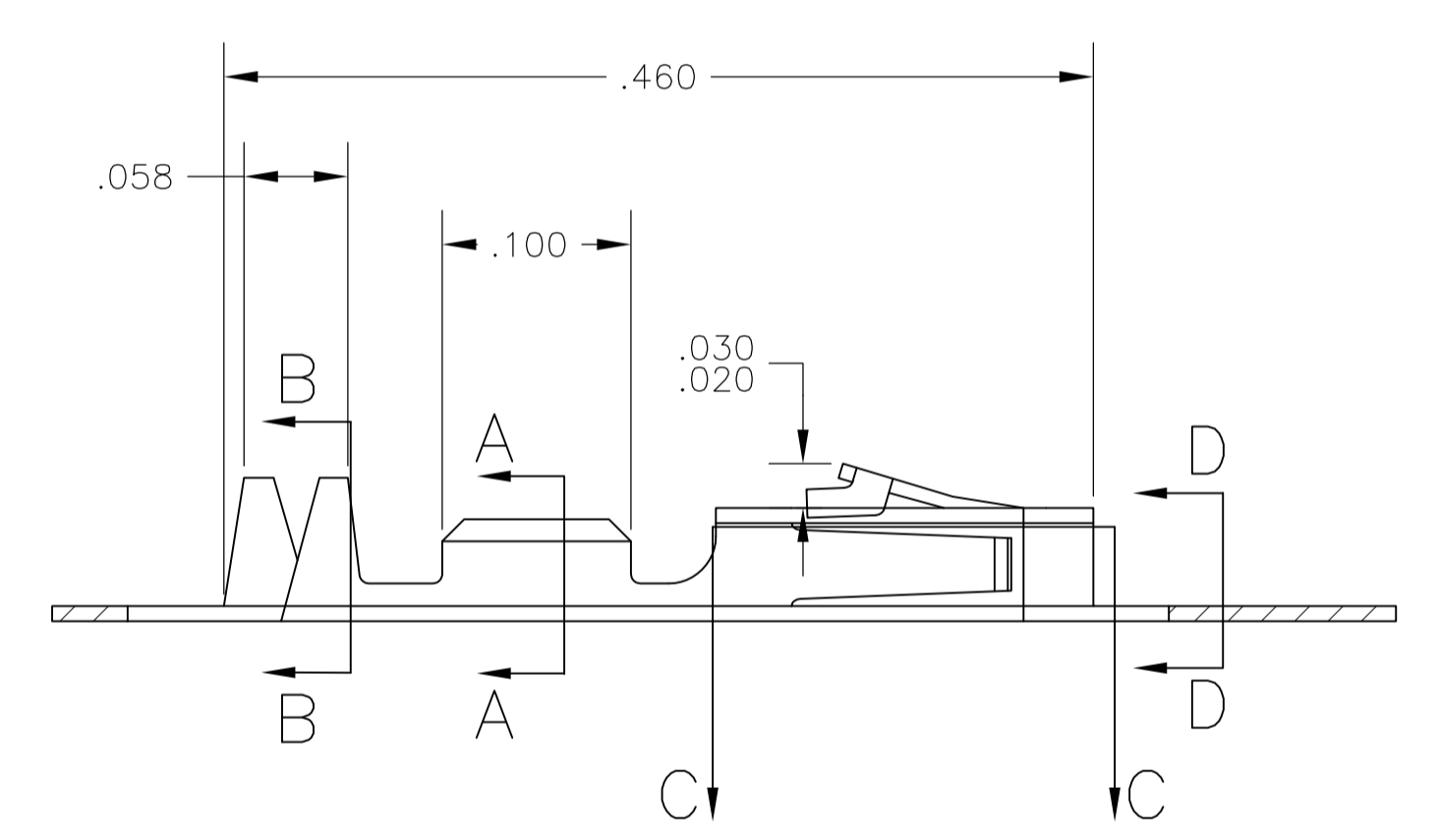
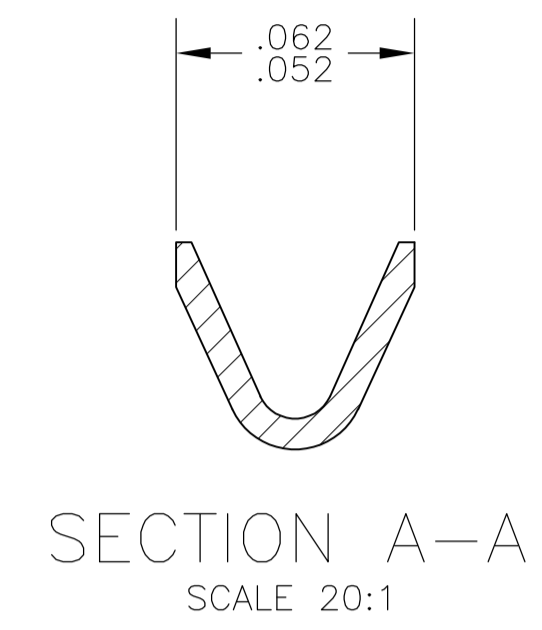
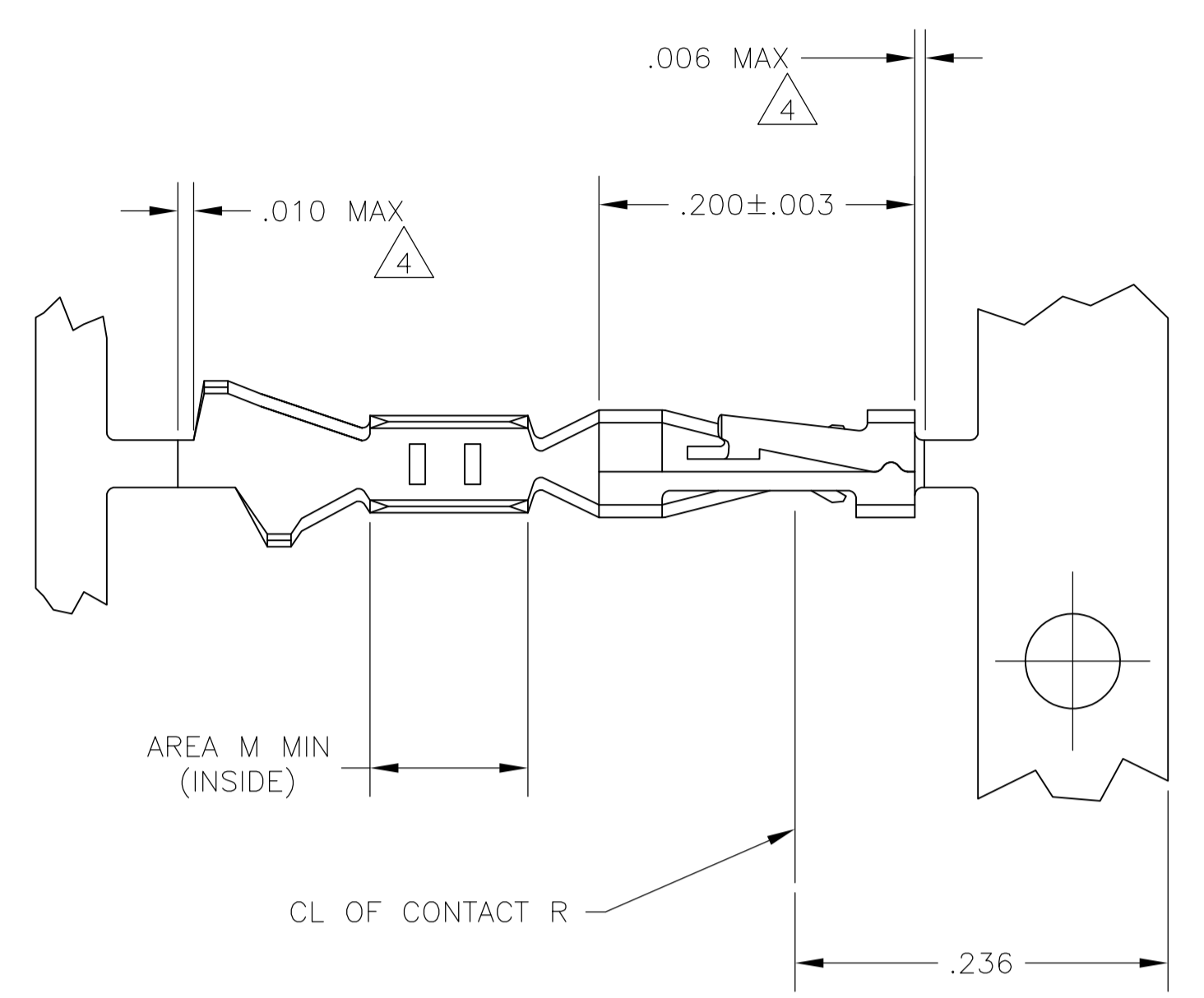


LOC		DIST		REVISIONS			
AD	00	REV	DATE	BY	CHK	APPV	
N1	REVISED PER ECO-11-004587		11MAR11	RK	HMR		



- ① .000100 MIN BRIGHT TIN-LEAD OVER .000050 MIN NICKEL ON ENTIRE CONTACT
- ② .000050 MIN NICKEL ON ENTIRE CONTACT; .000015 MIN GOLD ON CONTACT AREA; .000050 MIN BRIGHT TIN-LEAD ON AREA M.
- ③ .000050 MIN NICKEL ON ENTIRE CONTACT; .000030 MIN GOLD ON CONTACT AREA; .000050 MIN BRIGHT TIN-LEAD ON AREA M.
- ④ LOOSE PIECE CUT-OFF DIMENSION.
- ⑤ .000015 MIN GOLD ON CONTACT AREA, .000050 MIN TIN ON AREA M, ALL OVER .000050 MIN NICKEL ON ENTIRE CONTACT.
- ⑥ .000030 MIN GOLD ON CONTACT AREA, .000050 MIN TIN ON AREA M, ALL OVER .000050 MIN NICKEL ON ENTIRE CONTACT.
- ⑧ .000100 MIN TIN OVER .000050 MIN NICKEL ON ENTIRE CONTACT

REMARKS	FINISH	PART NO
LOOSE PIECE STRIP	⑧ REF	5-104481-6
LOOSE PIECE STRIP	⑥ REF	5-104481-2
LOOSE PIECE STRIP	⑥ REF	1-104481-3
LOOSE PIECE STRIP	⑤ REF	1-104481-2
LOOSE PIECE STRIP	⑥ REF	1-104481-1
LOOSE PIECE STRIP	⑤ REF	1-104481-0
OBsolete LOOSE PIECE STRIP		104481-9
OBsolete LOOSE PIECE STRIP	③ REF	104481-8
OBsolete LOOSE PIECE STRIP	② REF	104481-7
OBsolete LOOSE PIECE STRIP	① REF	104481-6
OBsolete STRIP		104481-5
OBsolete STRIP	③	104481-4
OBsolete STRIP	②	104481-3
OBsolete STRIP	①	104481-2

THIS DRAWING IS A CONTROLLED DOCUMENT.

DIMENSIONS: INCHES	TOLERANCES UNLESS OTHERWISE SPECIFIED:	DWG: C. OBERMAN 5-10-89	CHK: K. HELM 5-12-89	APPROV: R. ELICKER 5-12-89	NAME: CONTACT, CRIMP SNAP-IN AMPMODU SHORT POINT, 28-32 AWG
0 PLC ± -	1 PLC ± -	2 PLC ± -	3 PLC ± .005	4 PLC ± -	ANGLES ± -
MATERIAL: PHOSPHOR BRONZE	FINISH: SEE TABLE	WEIGHT: -	SIZE: A1	CAGE CODE: 00779	DRAWING NO: 104481
CUSTOMER DRAWING			SCALE: 10:1	SHEET: 1 OF 1	REV: N1

STE TE Connectivity

Mouser Electronics

Authorized Distributor

Click to View Pricing, Inventory, Delivery & Lifecycle Information:

[TE Connectivity:](#)

[104481-2](#)