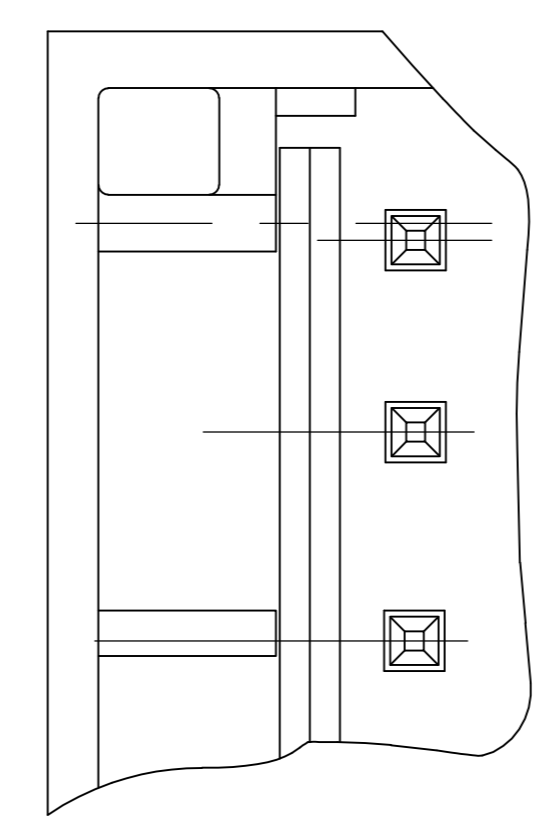
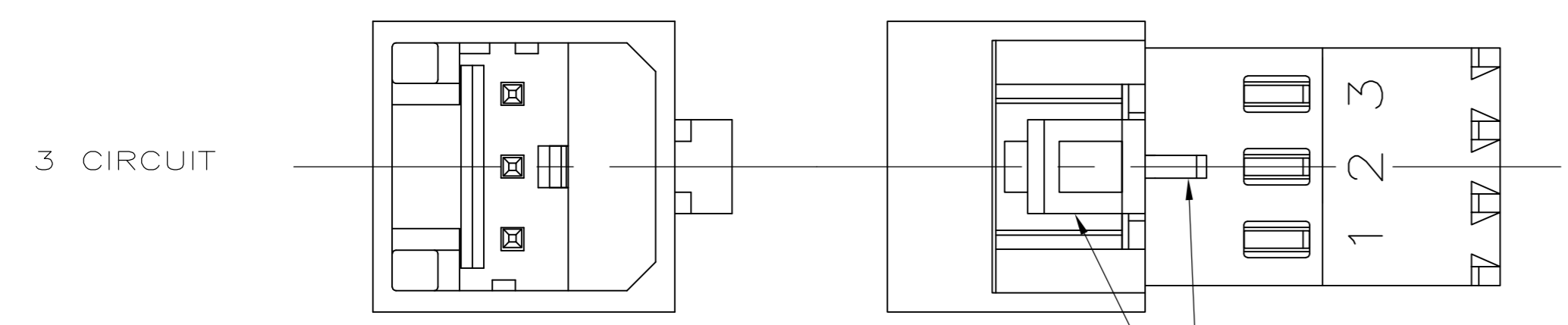
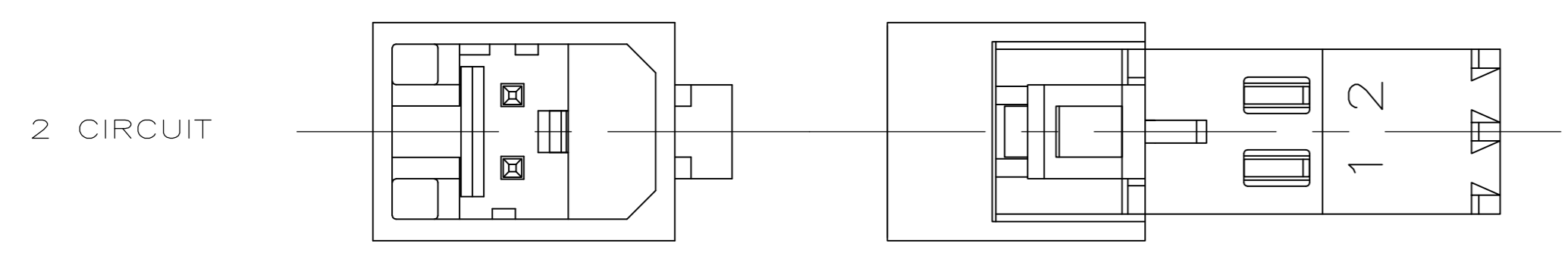


SECTION A-A



DETAIL B
SCALE 10:1
ALTERNATE CONFIGURATION



DETAIL A 3

- 1 MATERIAL:
HOUSING- NYLON UL94V-2 (RED).
CONTACTS- 0.30 [.012] THK COPPER ALLOY
PLATING : BRIGHT TIN-LEAD FOR 0.00203[.000080] MIN THK 647000-2 THRU 1-647000-9 OR MATTE TIN 0.00203[.000080] MIN THK. FOR 3-647000-2 THRU 4-647000-9.
- 2 CONTACTS ACCEPT 22 AWG (0.3 - 0.4 mm²) TIN PLATED SOLID, CONCENTRIC FUSED STRANDED, OR CONCENTRIC STRANDED (7 AND 19 STRAND) WIRE WITH 1.52 [.060] MAX INSULATION DIAMETER.
- 3 MATES WITH STANDARD MTA-100 CONNECTORS: OF THE SAME CIRCUIT SIZES WITH SIMILARLY PLATED CONTACTS WITH POLARIZING TABS-CIRCUIT SIZES 4-19 ONLY WITHOUT POLARIZING TABS-CIRCUIT SIZES 2 & 3.

DOES NOT MATE WITH MTA-100 CONNECTORS: WITH POLARIZING TABS-CIRCUIT SIZES 2 & 3 ONLY. (SEE DETAIL A) WITH BLOCKED CIRCUITS -ALL CIRCUIT SIZES. NOT RECOMMENDED FOR MATING WITH MTA-100 CONNECTOR WITHOUT POLARIZING TABS. CIRCUIT SIZES 4-19.
- 4 ACCESSORIES:
REPLACEMENT IDC CONTACTS: 647030-1.
COVERS: SEE TABLE
- 5 QUANTITY OF CENTRALLY POSITIONED RAILS VARIES WITH CIRCUIT SIZE. (SEE TABLE) LOCATION MAY DIFFER FROM EXAMPLE SHOWN.
- 6 DIMENSIONS IN BRACKETS ARE IN INCHES.
- 7 SIMILAR SIZED LOCK AND SINGLE TAB USED OR CIRCUITS 4 & 5.
- 8 QUANTITY OF GUSSET RIBS VARIES WITH CIRCUIT SIZE (SEE TABLE). LOCATION MAY DIFFER FROM EXAMPLE SHOWN.
- 9 INNER END RAIL PAIR NOT PRESENT FOR CIRCUIT SIZES 2 OR 3.
- 10 CIRCUIT ID MAY APPEAR FULLY NUMBERED OR SHOWING LOCATION 1 ONLY DEPENDING ON CIRCUIT SIZE.
- 11 OBSOLETE PARTS: OBSOLETE CIS STREAMLINING PER D.RENAUD/D.SINISI

THIS DRAWING IS A CONTROLLED DOCUMENT.		DWN R. LEWIS 28APR97	TE Connectivity NAME MTA-100 POSTED CONNECTOR ASSEMBLY, CLOSED END, 22 AWG, TIN
DIMENSIONS: mm [INCHES]		CHK R. SWING 28APR97	
TOLERANCES UNLESS OTHERWISE SPECIFIED:		APP'D E. BEILES 28APR97	PRODUCT SPEC
0 PLC	± -	APPLICATION SPEC	SIZE
1 PLC	± -	RESTRICTED TO	A1
2 PLC	± 0.20 [.007]		00779
3 PLC	± -		647000
4 PLC	± -		
ANGLES	± -		
MATERIAL		WEIGHT	
CUSTOMER DRAWING		SCALE 5:1	SHEET 1 OF 2

QTY OF GUSSET RIBS	QTY OF CENTRAL RAILS	MM	IN	MM	IN	MM	IN	NO. OF CIRCUITS	PART NO
4	2	45.72	1.800	48.95	1.927	50.80	2.000	19	4-647000-9
4	2	43.18	1.700	46.41	1.827	48.26	1.900	18	4-647000-8
4	2	40.64	1.600	43.87	1.727	45.72	1.800	17	4-647000-7
4	2	38.10	1.500	41.33	1.627	43.18	1.700	16	4-647000-6
4	2	35.56	1.400	38.79	1.527	40.64	1.600	15	4-647000-5
4	2	33.02	1.300	36.25	1.427	38.10	1.500	14	4-647000-4
4	2	30.48	1.200	33.71	1.327	35.56	1.400	13	4-647000-3
2	1	27.94	1.100	31.17	1.227	33.02	1.300	12	4-647000-2
2	1	25.40	1.000	28.63	1.127	30.48	1.200	11	4-647000-1
2	1	22.86	.900	26.09	1.027	27.94	1.100	10	4-647000-0
2	1	20.32	.800	23.55	.927	25.40	1.000	9	3-647000-9
2	0	17.78	.700	21.01	.827	22.86	.900	8	3-647000-8
0	0	15.24	.600	18.47	.727	20.32	.800	7	3-647000-7
0	0	12.70	.500	15.93	.627	17.78	.700	6	3-647000-6
0	0	10.16	.400	13.39	.527	15.24	.600	5	3-647000-5
0	0	7.62	.300	10.85	.427	12.70	.500	4	3-647000-4
0	0	5.08	.200	8.31	.327	10.16	.400	3	3-647000-3
0	0	2.54	.100	5.77	.227	7.62	.300	2	3-647000-2
4	2	45.72	1.800	48.95	1.927	50.80	2.000	19	4-647000-9
4	2	43.18	1.700	46.41	1.827	48.26	1.900	18	4-647000-8
4	2	40.64	1.600	43.87	1.727	45.72	1.800	17	4-647000-7
4	2	38.10	1.500	41.33	1.627	43.18	1.700	16	4-647000-6
4	2	35.56	1.400	38.79	1.527	40.64	1.600	15	4-647000-5
4	2	33.02	1.300	36.25	1.427	38.10	1.500	14	4-647000-4
4	2	30.48	1.200	33.71	1.327	35.56	1.400	13	4-647000-3
2	1	27.94	1.100	31.17	1.227	33.02	1.300	12	4-647000-2
2	1	25.40	1.000	28.63	1.127	30.48	1.200	11	4-647000-1
2	1	22.86	.900	26.09	1.027	27.94	1.100	10	4-647000-0
2	1	20.32	.800	23.55	.927	25.40	1.000	9	647000-9
2	0	17.78	.700	21.01	.827	22.86	.900	8	647000-8
0	0	15.24	.600	18.47	.727	20.32	.800	7	647000-7
0	0	12.70	.500	15.93	.627	17.78	.700	6	647000-6
0	0	10.16	.400	13.39	.527	15.24	.600	5	647000-5
0	0	7.62	.300	10.85	.427	12.70	.500	4	647000-4
0	0	5.08	.200	8.31	.327	10.16	.400	3	647000-3
0	0	2.54	.100	5.77	.227	7.62	.300	2	647000-2
DUST COVER	STRAIN RELIEF COVERS								
ACCESSORIES									

SUPERSEDED BY 4-647000-9
 SUPERSEDED BY 4-647000-8
 SUPERSEDED BY 4-647000-7
 OBSOLETE BY 4-647000-5
 SUPERSEDED BY 4-647000-3
 SUPERSEDED BY 4-647000-1
 OBSOLETE
 SUPERSEDED BY 3-647000-7

THIS DRAWING IS A CONTROLLED DOCUMENT. **STE** TE Connectivity

DIMENSIONS: mm [INCHES] TOLERANCES UNLESS OTHERWISE SPECIFIED:
 0 PLC ± -
 1 PLC ± -
 2 PLC ± -
 3 PLC ± -
 4 PLC ± -
 ANGLES ± -

MATERIAL FINISH

CUSTOMER DRAWING SCALE 1:1 SHEET 2 OF 2 REV G2

MTA-100 POSTED CONNECTOR ASSEMBLY, CLOSED END, 22 AWG, TIN