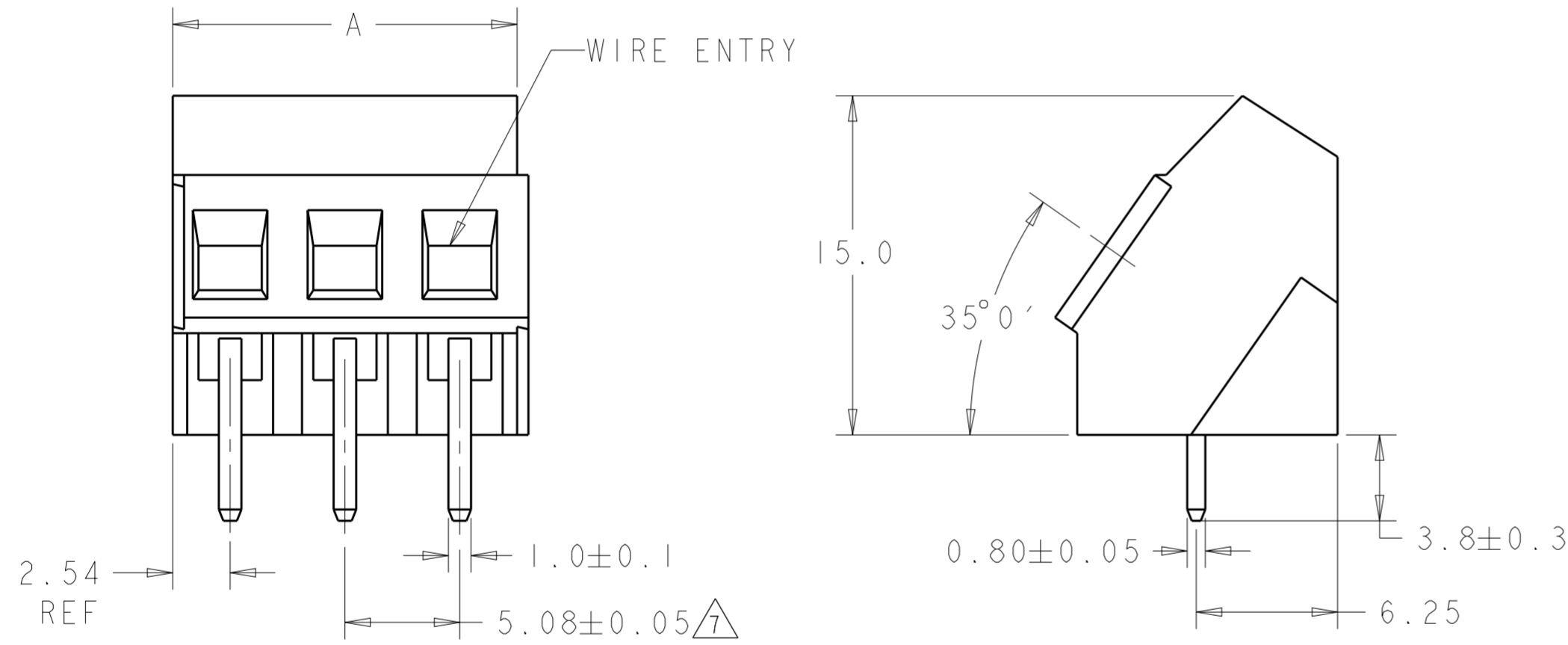
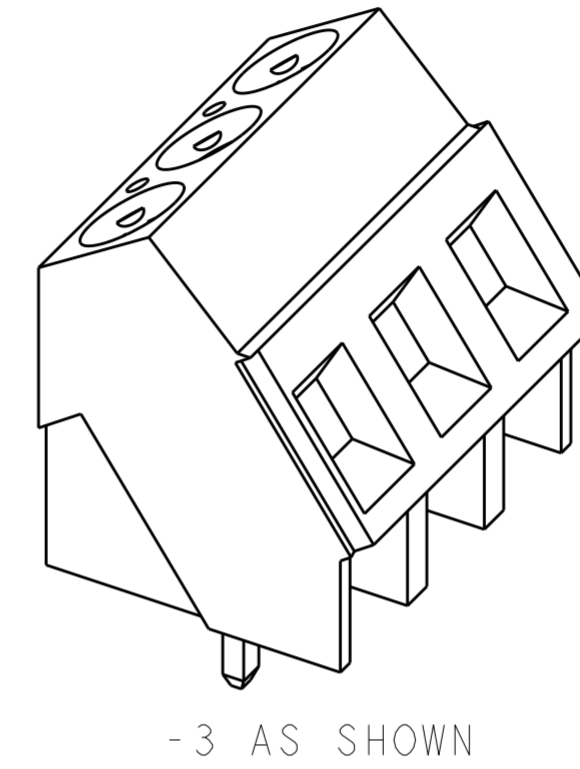
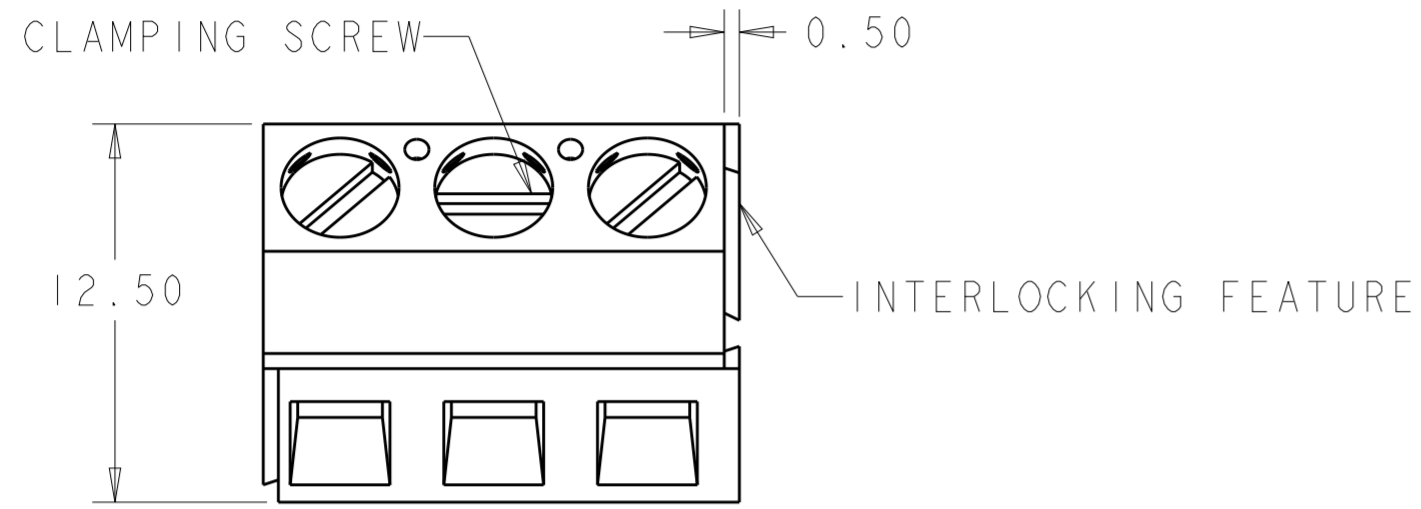


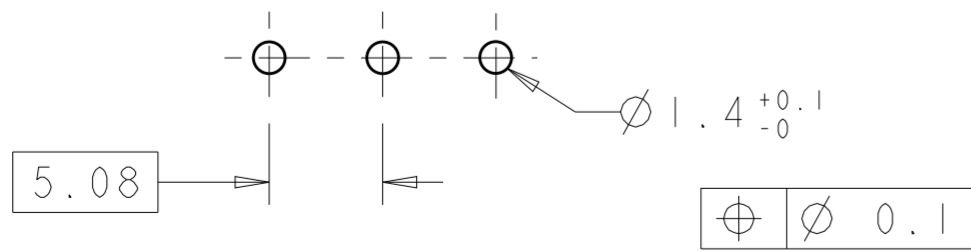
THIS DRAWING IS UNPUBLISHED. RELEASED FOR PUBLICATION 20  
 © COPYRIGHT 20 BY - ALL RIGHTS RESERVED.

REVISIONS				
P	LTR	DESCRIPTION	DATE	APVD
	D4	PART STATUS UPDATED	11JAN2018	RK PS



COLOR	DIM. A	MARKING	COMPOSITION	NO POS.	PART NUMBER
GREEN	15.24	9 1, 2, 3	-	3	2-282847-5
ORANGE	15.24	-	-	3	2-282847-3
GREEN	45.72	9 SEE SHEET 2	3+3+3 pos.	9	1-282847-4
	66.04	9 SEE SHEET 2	2+2+3+3+3 pos.	13	1-282847-3
	60.96	-	3+3+3+3 pos.	12	1-282847-2
	55.88	-	3+3+3+2 pos.	11	1-282847-1
	50.80	-	3+3+2+2 pos.	10	1-282847-0
	45.72	-	3+3+3 pos.	9	282847-9
	40.64	-	3+3+2 pos.	8	282847-8
	35.56	-	3+2+2 pos.	7	282847-7
	30.48	-	3+3 pos.	6	282847-6
	25.40	-	3+2 pos.	5	282847-5
20.32	-	2+2 pos.	4	282847-4	
15.24	-	-	3	282847-3	
10.16	-	-	2	282847-2	

RECOMMENDED PC BOARD LAYOUT



THIS DRAWING IS A CONTROLLED DOCUMENT.

DWN: E. ZANOLINI, ISMAR2001  
 CHK: D. BIEVENOUR, ISMAR2001  
 APVD: D. BIEVENOUR, ISMAR2001

**STE** TE Connectivity

NAME: TERMINAL BLOCK, PCB MOUNT  
 ANGLED ENTRY WIRE, STACKING  
 W/ INTERLOCK, 5.08mm, PITCH

PRODUCT SPEC: -  
 APPLICATION SPEC: -  
 WEIGHT: -

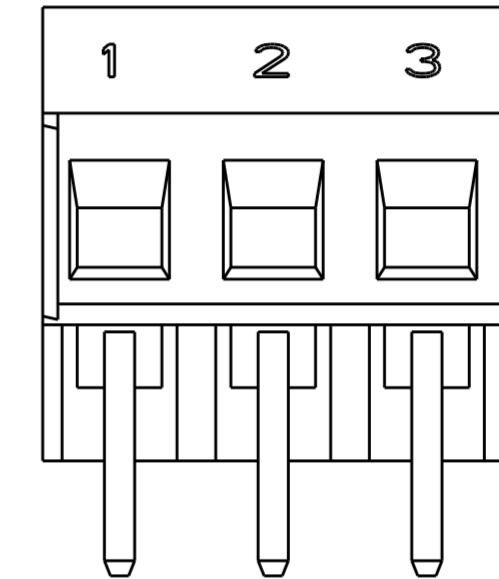
SIZE: A200779 CAGE CODE: C-282847 DRAWING NO: -  
 RESTRICTED TO: -

CUSTOMER DRAWING SCALE: 4:1 SHEET: 1 OF 2 REV: D4

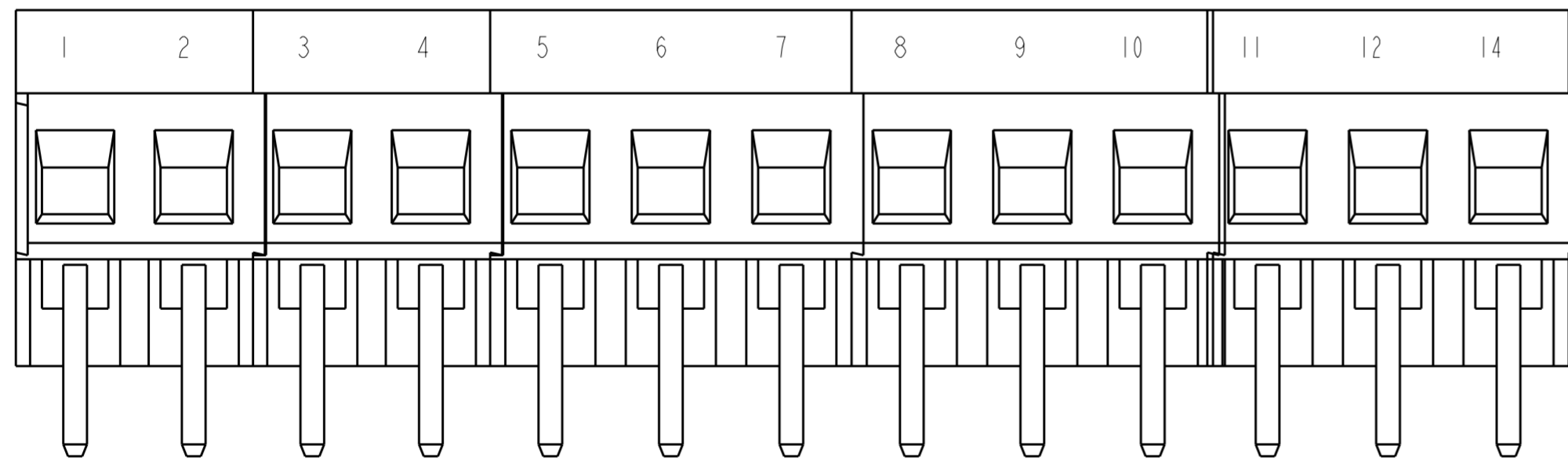
THIS DRAWING IS UNPUBLISHED. RELEASED FOR PUBLICATION 20  
 © COPYRIGHT 20 BY - ALL RIGHTS RESERVED.

REVISIONS				
P	LTR	DESCRIPTION	DATE	APVD
-		SEE SHEET 1	-	-

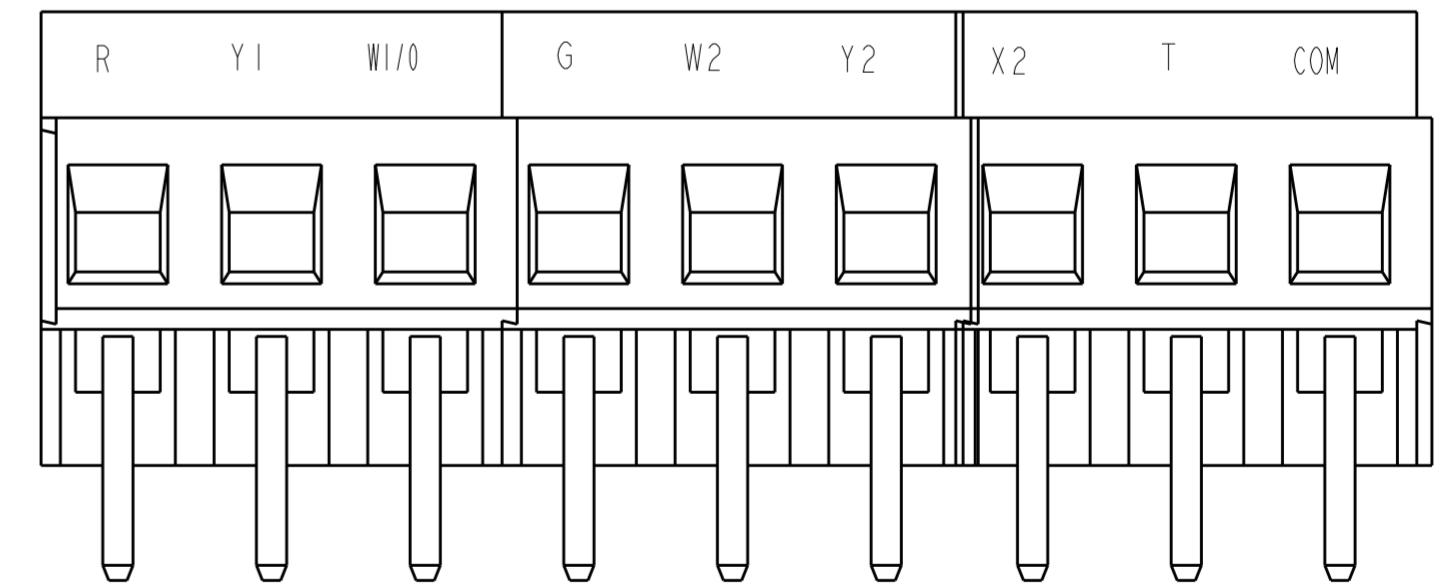
- 1 MATERIALS AND FINISH:  
 HOUSING: PA 6-6, UL 94-V0, COLOR: SEE TABLE.  
 CLAMP: BRASS, NICKEL PLATED.  
 TERMINAL: BRASS, TIN PLATED.  
 CLAMPING SCREW: M3, BRASS, NICKEL PLATED.
- 2 SUITABLE FOR 1,6-2,4mm PCB THICKNESS.
- 3 END-TO-END STACKABLE W/INTERLOCK, WITHOUT LOSS OF CENTERLINE SPACING.
- 4 WIRE SIZE RANGE:  
 SOLID WIRE: 0,03-2,5mm<sup>2</sup> (13AWG)  
 STRANDED WIRE: 0,03-1,5mm<sup>2</sup> (15AWG)
- 5 RECOGNIZED UNDER THE COMPONENT PROGRAM OF UNDERWRITERS LABORATORIES INC., FILE NO E60677.
- 6 IMQ CERTIFICATE WITH SURVEILLANCE IN CONFORMITY WITH IEC 998-1/998-2-1.
- 7 NOT CUMULATIVE TOLERANCE.
- 8 P/NS OBTAINED BY GLUING AND ASSEMBLYING TOGETHER LISTED CONNECTORS.
- 9 INK MARKING, BLACK COLOR



P/N 2-282847-5 AS SHOWN



P/N ~~1-282847-3~~ AS SHOWN  
 OBSOLETE



P/N ~~1-282847-4~~ AS SHOWN  
 OBSOLETE

THIS DRAWING IS A CONTROLLED DOCUMENT.		DWN E. ZANOLINI	TE Connectivity	
DIMENSIONS: mm		CHK D. BIEVENOUR		
TOLERANCES UNLESS OTHERWISE SPECIFIED:		APVD D. BIEVENOUR	NAME	
0 PLC ±-	1 PLC ±.3	PRODUCT SPEC	TERMINAL BLOCK, PCB MOUNT	
2 PLC ±.25	3 PLC ±.	APPLICATION SPEC	ANGLED ENTRY WIRE, STACKING	
4 PLC ±.	ANGLES ±2	WEIGHT	SIZE	RESTRICTED TO
FINISH		CUSTOMER DRAWING	A200779	D4
		SCALE 4:1	SHEET 2 OF 2	REV D4