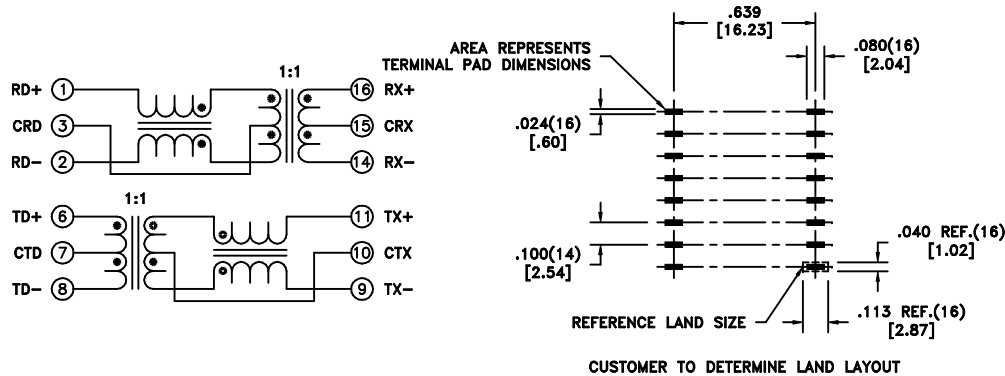
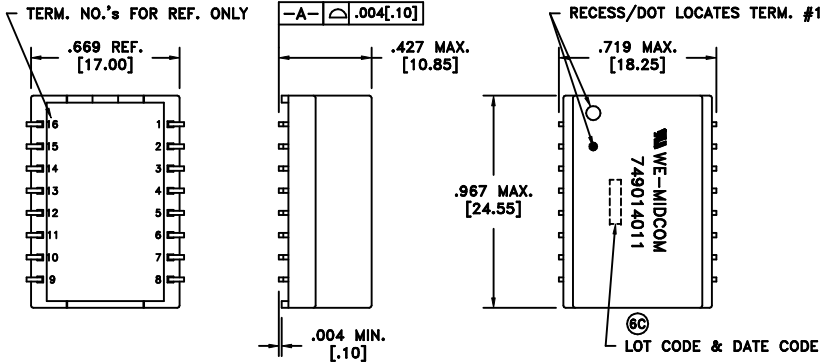


CUSTOMER TERMINAL	RoHS	LEAD(Pb)-FREE
Sn100%	Yes	Yes

more than you expect



Midcom



ELECTRICAL SPECIFICATIONS @ 25°C unless otherwise noted:

PARAMETER	TEST CONDITIONS	VALUE	
INDUCTANCE	16-14	100kHz, 100mVAC, 8mADC, Lp	350uH min.
INDUCTANCE	11-9	100kHz, 100mVAC, 8mADC, Lp	350uH min.
DIELECTRIC	1-16	tie(1+6, 16+11), 4800Vrms, 1 second	4000Vrms, 1 minute
URNS RATIO		(1-2):(16-14)	1:1, ±2%
URNS RATIO		(6-8):(11-9)	1:1, ±2%
INSERTION LOSS		500k - 100MHz	-1.2dB max.
RETURN LOSS		500k - 30MHz	-18dB min.
RETURN LOSS		30M - 45MHz	-15dB min.
RETURN LOSS		45M - 60MHz	-13dB min.
RETURN LOSS		60M - 80MHz	-10dB min.
CROSSTALK		1M - 100MHz	-40dB min.
DCMR		500k - 100MHz	-33dB min.

GENERAL SPECIFICATIONS:

OPERATING TEMPERATURE RANGE: 0°C to +70°C.

COPLANARITY: All 16 terminals must lie on a plane within .004 [.10] of Surface A after lead tinning.

Designed to comply with the following requirements as defined by IEC60601-1 and IEC60950-1:

- Reinforced insulation at a working voltage of 250Vrms.

6C

AGENCY NUMBER	
UL60950-1	E205930
CSA60950-1 (Via CUL)	E205930

REV.	DATE	Packaging Specifications
6C	9/10	Method: Tape & Reel PKG-0670
6B	4/08	www.we-online.com/midcom
6A	2/08	SEE REVISION SHEET FOR



Tolerances unless otherwise specified:
 Angles: ±1° Decimals: ±.005 [.13]
 Fractions: ±1/64 Footprint: ±.005 [.13]

This drawing is dual dimensioned. Dimensions in brackets are in millimeters.

DRAWING TITLE
TRANSFORMER

eiSos p/n: 749014011



PART NO.
749014011

SPECIFICATION SHEET 1 OF 1

Mouser Electronics

Authorized Distributor

Click to View Pricing, Inventory, Delivery & Lifecycle Information:

[Wurth Electronics:](#)

[749014011](#)