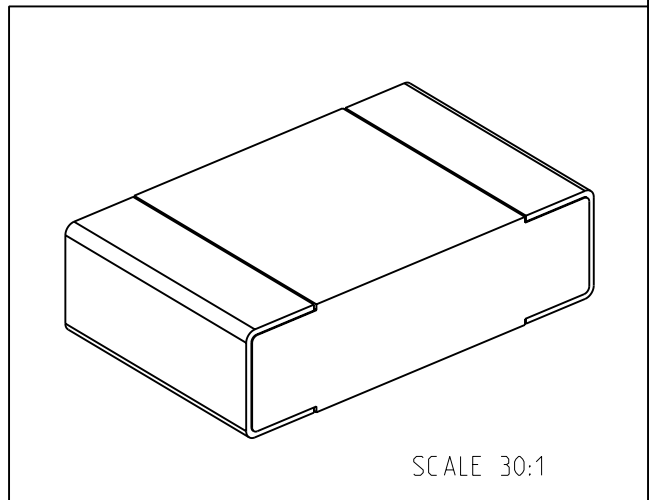
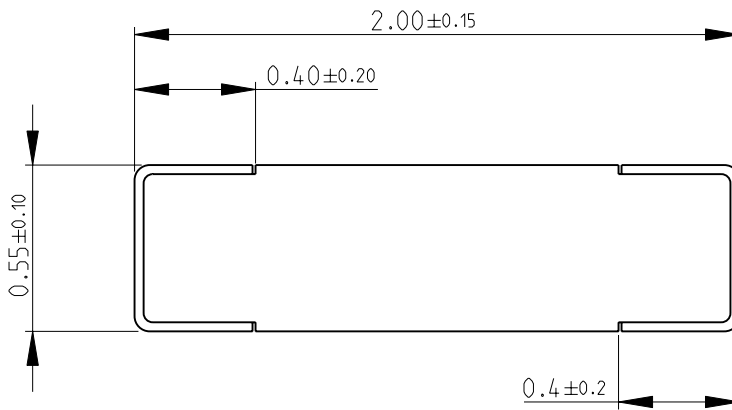


LOC	DIST	REVISIONS					
E	B	P	LTR	DESCRIPTION	DATE	DWN	APVD
			BA	NEW RELEASE	08-JAN-09	SM	St.P

FOR FURTHER INFORMATION SEE DATA SHEET FOR
CRG SERIES-THICK FILM CHIP RESISTORS



SCALE 30:1

RoHS Compliant

2009

RELEASED FOR PUBLICATION

THIS DRAWING IS UNPUBLISHED.

© COPYRIGHT 2009 BY TYCO ELECTRONICS CORPORATION. ALL RIGHTS RESERVED.

DIMENSIONS: mm	DWN	SUBHASH.M	08-JAN-09	MATERIAL	-	FINISH	-
	CHK	PRAKASH.S	08-JAN-09	Tyco Electronics Tyco Electronics Corporation Dorcan, Swindon, SN3 5HH	NAME THICK FILM CHIP RESISTORS SERIES CRG 0805		
TOLERANCES UNLESS OTHERWISE SPECIFIED:	APVD	STEPHEN.P	08-JAN-09				
0 PLC ±0.5	PRODUCT SPEC	-		SIZE	A 4	CAGE CODE	00779
1 PLC ±0.2	APPLICATION SPEC	-		DRAWING NO	C= 1623195		RESTRICTED TO
2 PLC ±0.1				WEIGHT	-		-
3 PLC ±-				CUSTOMER DRAWING			SCALE
4 PLC ±-							40:1
ANGLES ±5°							SHEET
							1 OF 1
							REV
							BA

Mouser Electronics

Authorized Distributor

Click to View Pricing, Inventory, Delivery & Lifecycle Information:

[TE Connectivity:](#)

[CRG0805F330R](#)