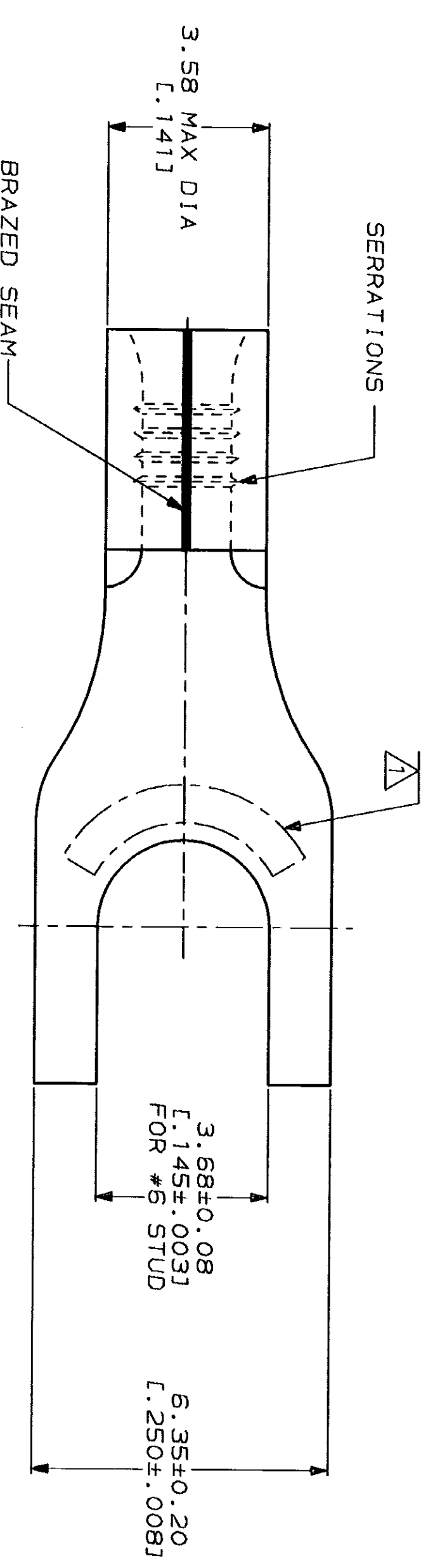
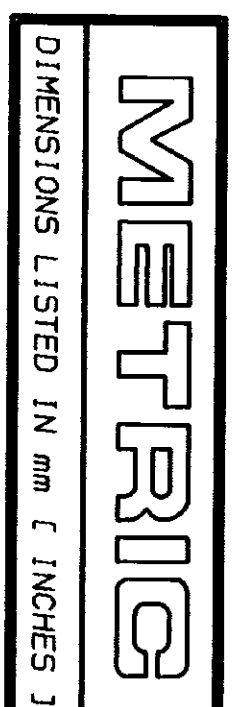
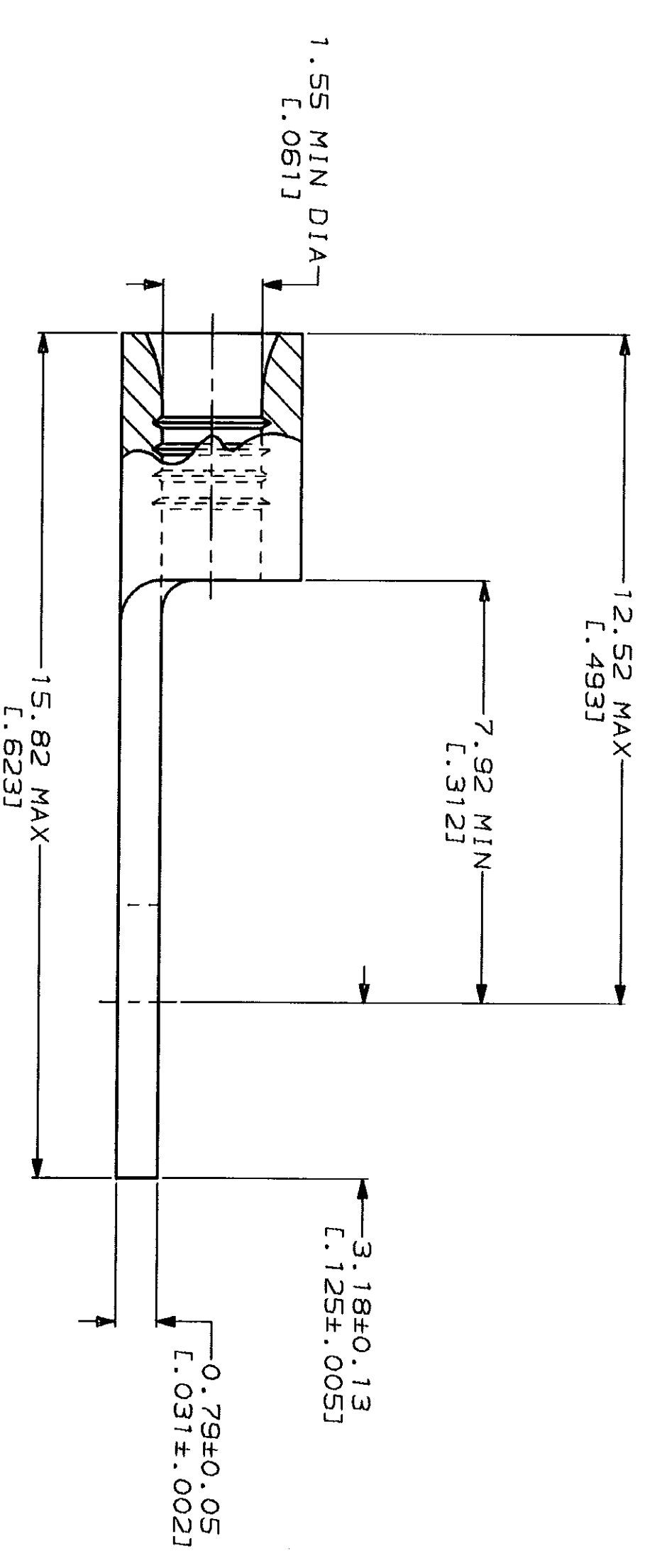


LOC	DIST	REV	ZONE	LTR	DESCRIPTION	DATE	APPD
G	14	P		C	REV, RDRW, & SM PKG PER 0720-0040-93	3-26-93	18 DAP



AMP WIRE RANGE	UL E13288 Listed
22-16 AWG SOLID OR STRANDED	22-16 AWG SOLID OR STRANDED
LR7189 Certified	MILITARY P/N AND CLASS
22-16 AWG SOLID OR STRANDED	NOT APPLICABLE

STAMP AMP 22-18* APPROX AS SHOWN
 22-16 TERMINALS ARE STAMPED 22-18 IN
 ACCORDANCE WITH MILITARY SPECIFICATION
 MIL-T-7928, COMMERCIAL WIRE RANGE IS 22-16



AMP INCORPORATED
CUSTOMER SERVICE SYSTEMS

FOR ADDITIONAL PRODUCT INFORMATION OR COPIES OF DRAWINGS AND TECHNICAL DOCUMENTS	PRODUCT INFORMATION CENTER 1-800-522-6752	MAX RECOMMENDED OPERATING TEMPERATURE: 170°C MAX	DO NOT SCALE PRINT. UNLESS SPECIFIED DIMENSIONS IN mm [INCHES] TOLERANCES ON: 2 PLG DEC ± 3 PLG DEC ± ANGLES ± MATERIAL
FOR APPLICATION TOOLING INFORMATION	TOOLING ASSISTANCE CENTER 1-800-722-1111	VOLTAGE RATING: NOT APPLICABLE	DR 3-26-93 TA BRINKMAN CHK 3-26-93 DA PATTERSON
FOR ORDER ENTRY	1-800-526-5142	WIRE CROSS SECTIONAL AREA RANGE: 0.26-1.65mm² [509-3,260] CIR MILS SOLID OR STRANDED	APPD 3-26-93 DE MILLER APPD 3-26-93 JL NECKLEY Product Spec

FINISH TIN PLATE 0.00254 [L.000100] MIN THK PER MIL-T-10727	APPLICATION SPEC	NAME AMP Amp Incorporated Harrisburg, PA 17105-3508
WEIGHT		TERMINAL, SPADE TONGUE, SOLI STRAND™
SCALE 10:1	CAGE CODE 00779 DRAWING NO G-323127	AMP 323127

QUANTITY	PACKAGE TYPE	PART NO
100	LOOSE PIECE, BOX	8-323127-1
---	LOOSE PIECE	323127

Mouser Electronics

Authorized Distributor

Click to View Pricing, Inventory, Delivery & Lifecycle Information:

[TE Connectivity:](#)

[323127](#)