
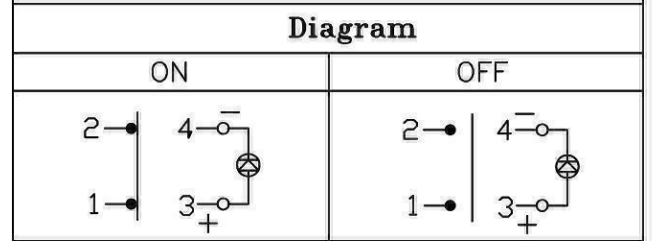
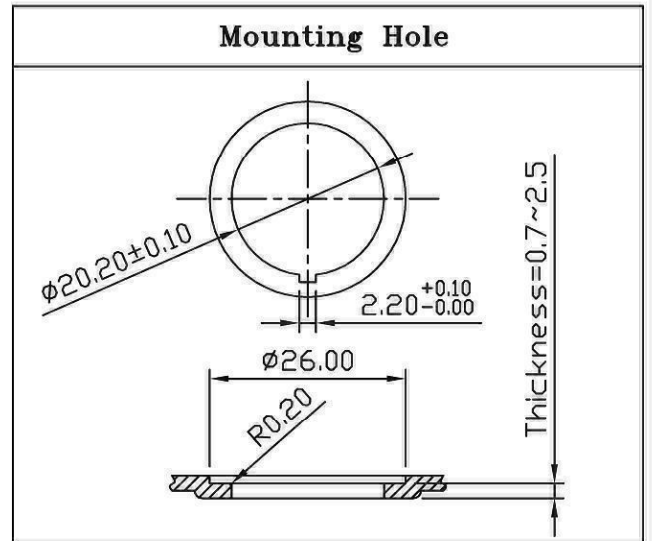
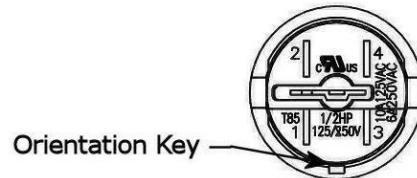
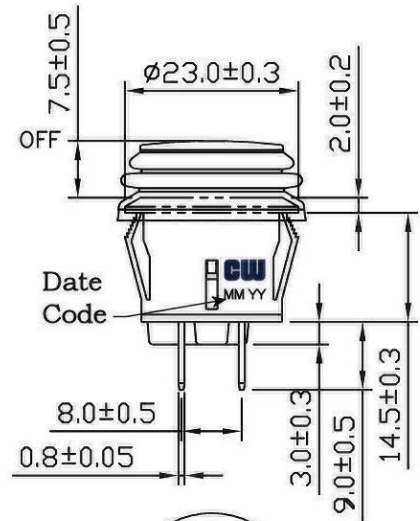
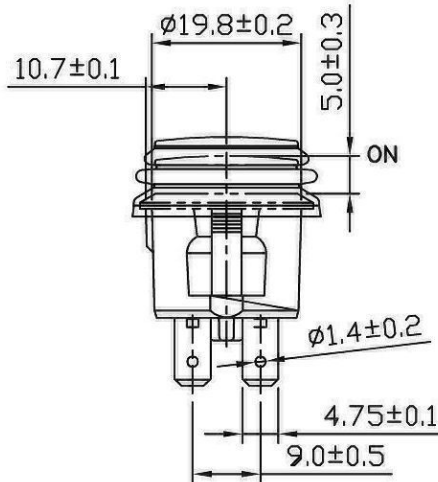
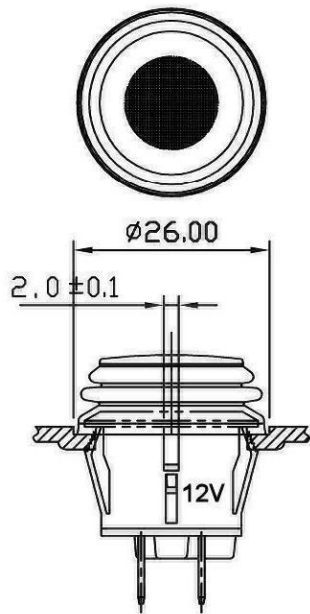


THIS INFORMATION IS CONFIDENTIAL AND PROPRIETARY TO CW INDUSTRIES INCORPORATED AND ITS AFFILIATES. IT MAY NOT BE DISCLOSED TO ANYONE, OTHER THAN CW INDUSTRIES PERSONNEL, WITHOUT WRITTEN AUTHORIZATION FROM CW INDUSTRIES INCORPORATED, SOUTHAMPTON, PENNSYLVANIA USA.

Rating	10A 125VAC, 6A 250VAC 1/2HP 125/250VAC	
Configured For	12VDC 14V	
Contact Resistance	50m ohm Max.	
Insulation Resistance	DC 500V 100M ohm Min.	
Dielectric Strength	AC 1500V 1 minute	
Operation Temp.	- 25 <sup>0</sup> C ~ 85 <sup>0</sup> C	
Function	4P SPST ON-OFF LED Independent	
Lamp Type	LED 12VDC 14V No resistor	



**MATERIAL:**  
 Frame: Black, Nylon 66  
 Actuator: Red, PC  
 Terminals: Silver plated, Copper alloy  
 Waterproof Rubber: Black, Silicone  
 Printed: None  
 Waterproof: IP65



RoHS Compliant

2	Added 1 to end of P/N, Configured for to rating & Lamp Type to chart. 4/04/12.
1	Added date code 1/18/11.

**CW INDUSTRIES**  
 Southampton, Pa. 18966  
 Tel 215.355.7080/www.cwind.com

Date Drawn: 1/18/11	Rev. 2	Unit: mm	Checked By: <i>G. Gold</i>
Title: PUSH BUTTON SWITCH		CW P/N: GPB527D2L02BR1	

# Mouser Electronics

Authorized Distributor

Click to View Pricing, Inventory, Delivery & Lifecycle Information:

[CW Industries:](#)

[GS-115-0047](#) [GPB527D2L02BR](#)