

Features

- Low Loss
- Excellent High Side rejection
- Excellent Return Loss

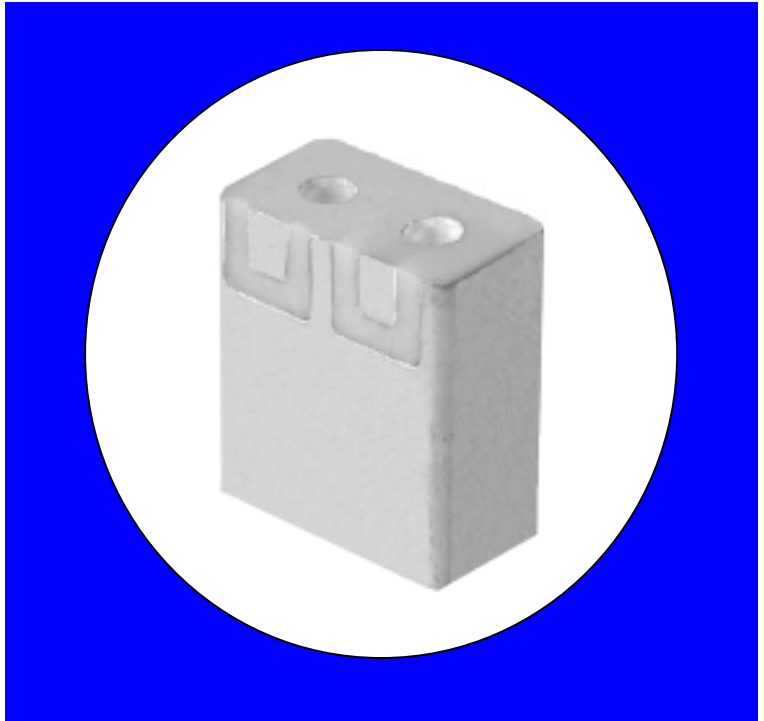
Description

Surface mount, silver (Ag) coated ceramic filter. Developed for use in commercial and Military GPS applications

Weight: 1.5 grams typical

Material: Filter is composed of a ceramic block plated with Ag.

Filter complies with RoHS standards.



Electrical Specifications

Parameter	Frequency (MHz)	Typical @ 25°C	Spec. @ 25°C
Insertion Loss	1570-1581	1.1 dB	1.5 dB max
Forward Return Loss	1570-1581	18.0 dB	16.0 dB min
Attenuation:	1501	13.0 dB	7.0 dB min
Attenuation:	1625	27.0 dB	20.0 dB min
Power Rating			1W
Impedance			50Ω

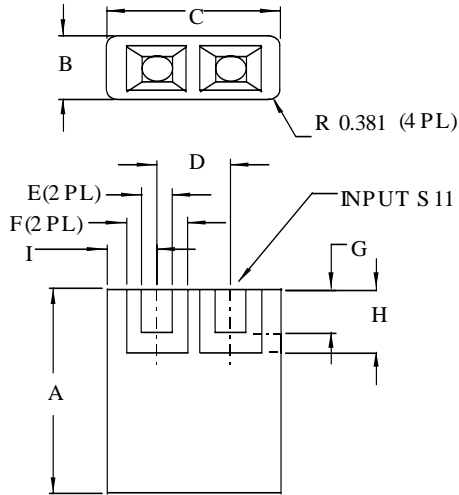
Note: Supplier shall test each filter to the critical electrical specifications of the above table. Any subsequent audits may deviate from in value due to measurement repeatability among different test systems. Such deviations shall not exceed the following limits:

Specification Allowance	
Insertion Loss	0.1 dB
Return Loss	1.0 dB
Stopbands	1.0 dB

*This product is covered by one or more of the following U.S. and foreign patents including: US 4,692,726;US 4,742,562; US 4,800,348;US 4,829,274;US 5,146,193;EP 0573597;DE 0573597;FR 0573597;JP 508149/92;KR 142171;US 5,162,760;US 5,218,329;US 5,250,916;US 5,327,109;US 5,488,335;CA 2114029;FR 9306297;GB 2273393;JP 3205337;KR 115113;CN 93106228.4;US 5,512,866;EP 0706719;DE 0706719;FR 0706719;GB 0706719;CN 95190359.4;US 5,602,518;US 5,721,520;US 5,745,018;EP 0910875;DE 0910875;DK 0910875;FR 0910875;GB 0910875;IE 0910875;JP 505182/98;KR 10-323013;US 5,994,978;US 6,462,629;CN 00810420.4;US 6,559,735;US 6,650,202;US 6,834,429. Other US and foreign patents pending.

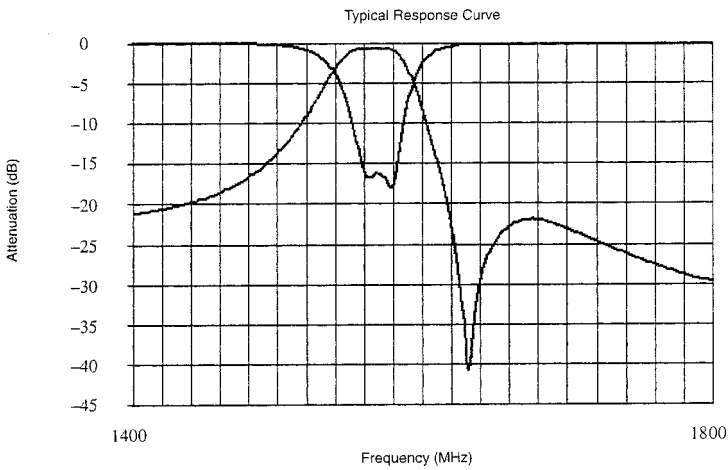
CTS Corporation 2006 reserves all copyrights in the layout, design and configuration of the patterns on this product.

Mechanical Drawing

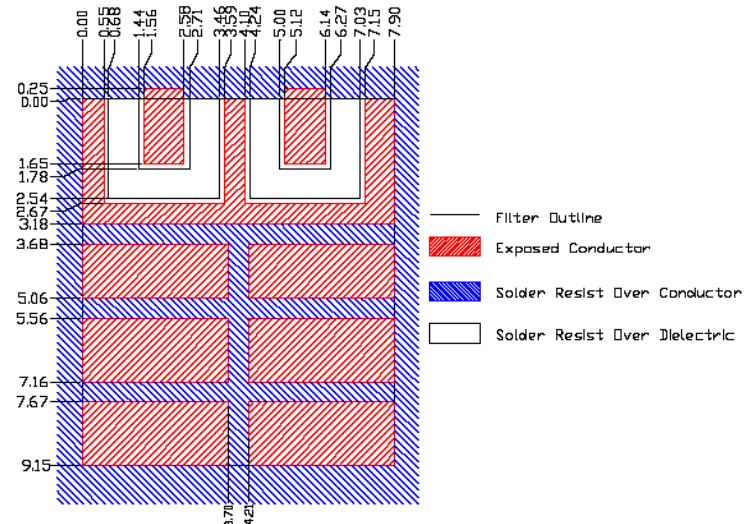


Dim	Nominal (mm)	Tolerance (mm) +/- or max
A	9.15	max
B	4.52	max
C	7.88	max
D	3.560	0.13
E	1.270	0.13
F	2.790	0.13
G	1.780	0.13
H	2.540	0.13
I	2.070	0.23

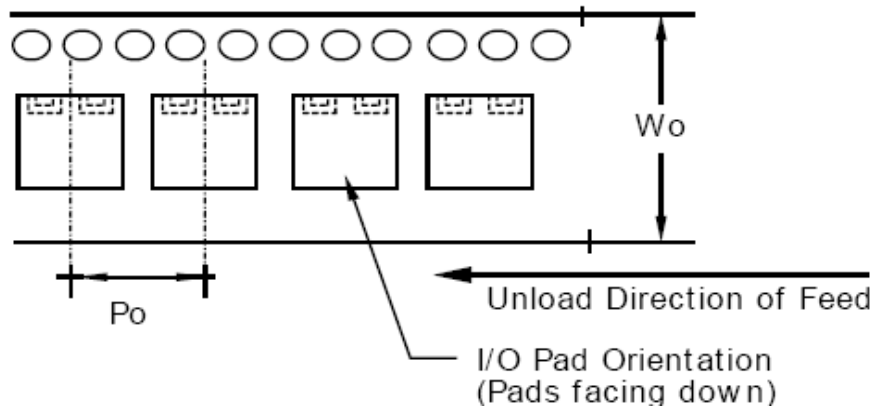
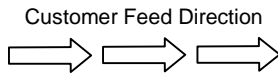
Electrical response



PCB Layout



Packaging and Marking



DIMENSION	UNITS	SPECIFICATION
PITCH, P_o	mm	16
WIDTH, W_o	mm	24
REEL DIAMETER	mm	330
REEL WEIGHT	kg	2.0
REEL QUANTITY	ea.	1000

Mouser Electronics

Authorized Distributor

Click to View Pricing, Inventory, Delivery & Lifecycle Information:

CTS:

[KFF6338A](#)