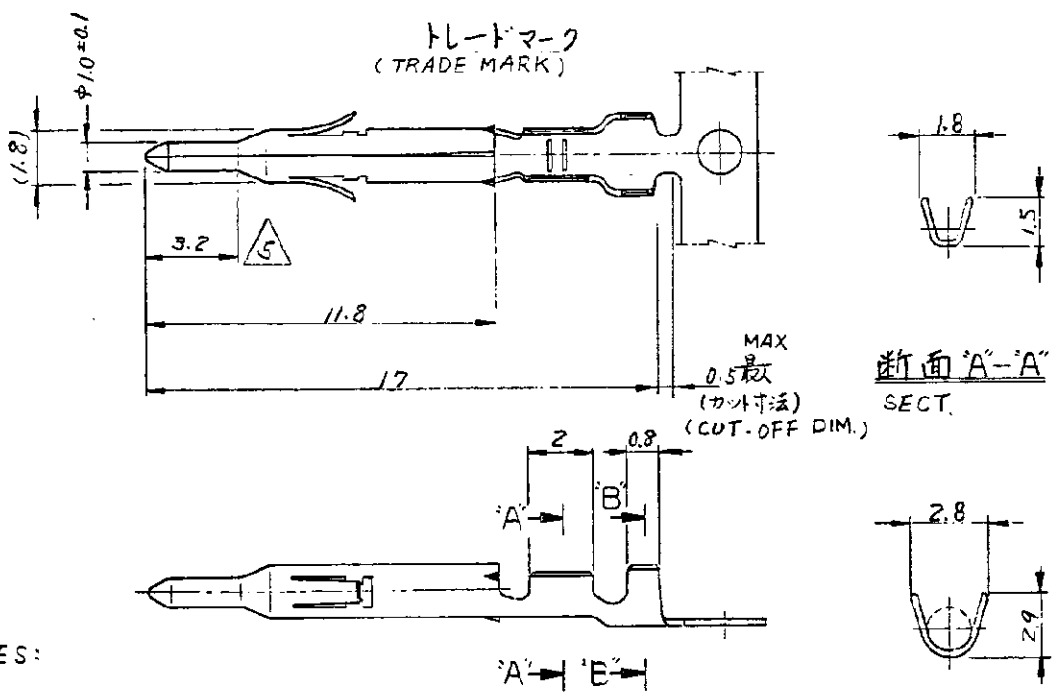


C-170359



NOTES:

1. THIS CONTACT IS USED ON EITHER PLUG AND CAP HOUSING.
2. APPLICABLE PRODUCT SPEC : 108-5138
3. APPLICABLE APPLICATION SPEC : 114-5050
4. REFER TO IS-105J FOR APPLICATION FOR MOUNTING TO CONNECTORS.

△ 0.00076 mm MIN. THICK GOLD-PLATED IN THE CONTACT SECTION TO 3.2 mm FROM THE TIP END, OVER NICKEL UNDERPLATE ALL OVER.

注:

1. 使用ハウジングはキャップ及びプラグ
2. 適用製品仕様書 : 108-5138
3. 適用圧着仕様書 : 114-5050
4. 取扱説明書 : JS-105J

△ 5 ピン先端から3.2の間0.76mm最小の金めっき 残部はニッケルめっき。

170367, 170382	170365, 170366	錫めっき付リン青銅 (TIN/PHOS.BRD)	-4	-4
		金めっき△黄銅 (GOLD/BRASS △)	-3	-3
170363-1	170359-1	錫めっき付黄銅 (TIN/BRASS)		
嵌合相手側型番 (MATING CONN. P/N)	仕上・材料 (FINISH / MATERIAL)	15.5穴端子型番 (L.P. P/N)	型番 (P/N)	

参考図面 (CUSTOMER COPY REFERENCE ONLY)

表参照 SEE TABLE 0.2寸
表参照 SEE TABLE
WIRE RANGE # 0.12 ~ 0.35 50 AWG 26 ~ 22
INSULATION DIA 1.2 ~ 1.75 mm

**TE** TE Connectivity

CLASS

TYPE

PRINT DIM: 4

E2	REVISED PER ECO-11-005294	RK	HMR	14APR 11
LTR	変更 REVISION RECORD	DR.	CHK.	DATE
DR.	2. Y. Hasegawa 9/6/09	DE	7. Tomiyama 9/1/09	
CHK	C. Tomiyama 2/1/09	APP.	1/5/09	9/1/09

SCALE 4:1

LOG SIZE P/N NO J A C-170359 E2

NAME MINI UNIVERSAL MATE-N-LOK PIN CONTACT

ニニユニバサル Mate-N-Lok ピン コネクタ

# Mouser Electronics

Authorized Distributor

Click to View Pricing, Inventory, Delivery & Lifecycle Information:

[TE Connectivity:](#)

[170359-4](#)