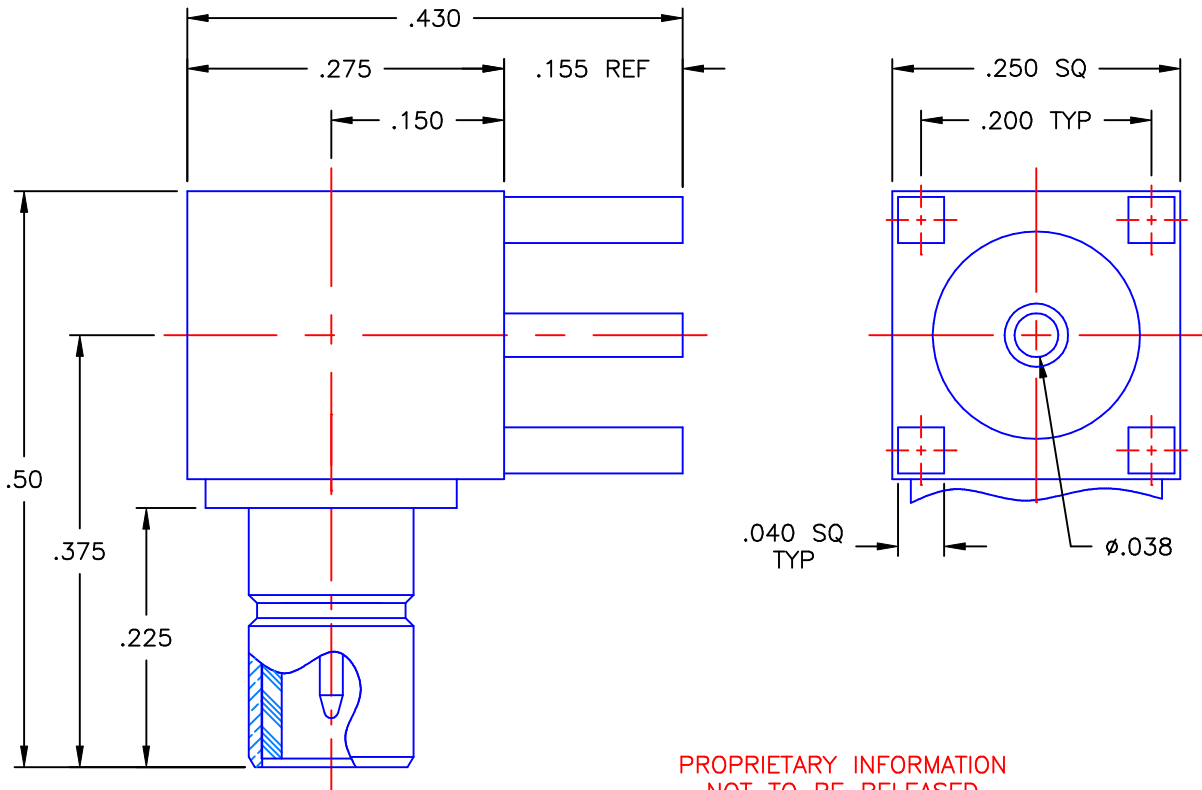


| REVISIONS | | | |
|-----------|-------------|----------|----------|
| REV | DESCRIPTION | DATE | APPROVED |
| B | ECO #4098 | 04/27/01 | A.D.M. |



PROPRIETARY INFORMATION
 NOT TO BE RELEASED
 WITHOUT WRITTEN PERMISSION
 FROM AN AUTHORIZED
 REPRESENTATIVE OF
 APPLIED ENGINEERING PRODUCTS


NOTES: CONFORMS TO MIL-PRF-39012 SMB SERIES

MATERIALS:

1. INSULATORS = VIRGIN WHITE TEFLON PER ASTM D1710, GRADE 1, TYPE I, CLASS "A".
2. ALL OTHER METAL PARTS = BRASS PER ASTM B16, ALLOY C36000, TEMPER H02.

FINISHES:

1. CONTACTS = GOLD PLATE PER MIL-G-45204, TYPE II, CLASS 1, GRADE C, OVER .00010 TO .00020 STRESS FREE SULFAMATE NICKEL PER QQ-N-290.
2. ALL OTHER METAL PARTS = GOLD PLATE PER MIL-G-45204, TYPE II, CLASS 0, GRADE C, OVER .00010 TO .00020 COPPER STRIKE PER MIL-C-14550.

| | | | | |
|---|-------|--|-------------------|--|
| UNLESS OTHERWISE SPECIFIED DIMENSIONS ARE IN INCHES TOLERANCES ON | | DWN: A.D.M. | DATE 04/27/01 |  APPLIED ENGINEERING PRODUCTS 104 John W. Murphy Dr. New Haven, CT 06513 |
| | | CHKD: D.N. | DATE 04/27/01 | |
| DECIMAL | ANGLE | APVD: D.J.C. | DATE 04/27/01 | |
| REFERENCE: | | MATERIALS & FINISHES: SEE NOTES | | |
| ORIGINATOR: D.N. DATE: 12/09/96 | | SIZE A | FSCM NO. 19505 | DWG. NO. 2010-1511-000 |
| | | SCALE 6:1 | REV B | |
| | | | | SHEET 1 OF 1 |

2010-1511-000

Mouser Electronics

Authorized Distributor

Click to View Pricing, Inventory, Delivery & Lifecycle Information:

Radial:

[2010-1511-000](#)