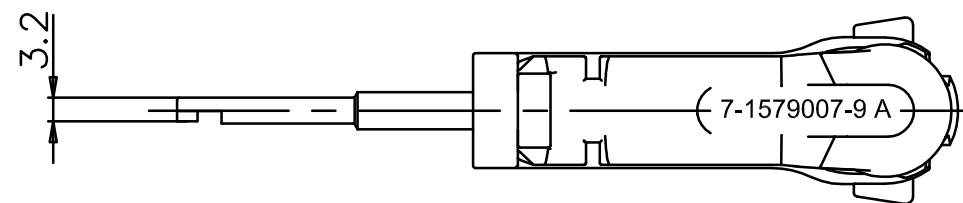
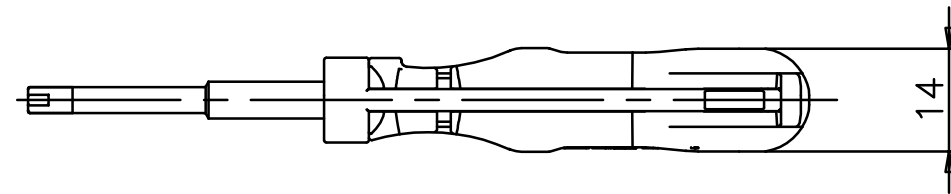
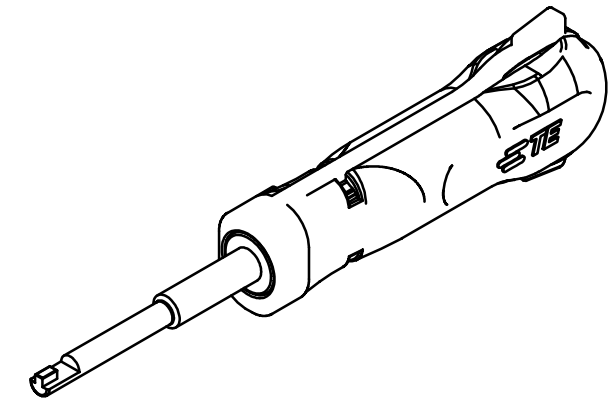
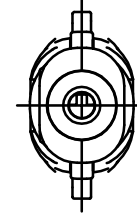
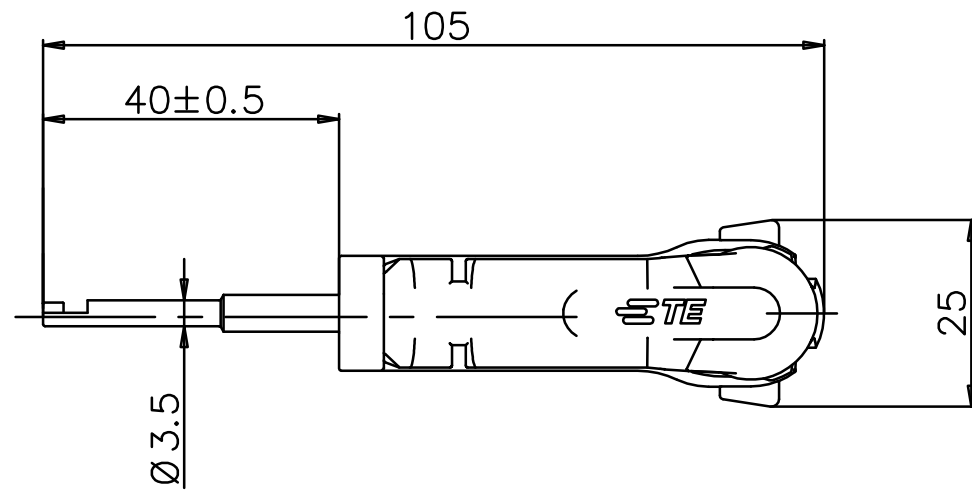


THIS DRAWING IS UNPUBLISHED.

RELEASED FOR PUBLICATION

© COPYRIGHT BY TYCO ELECTRONICS CORPORATION. ALL INTERNATIONAL RIGHTS RESERVED.


LOC	DIST	REVISIONS			
P	LTR	DESCRIPTION	DATE	DWN	APVD
—	—	A1	ECR-17-009954	10JUL17	MG BM



APPLICATION RANGE / Anwendungsbereich :

FOR MQS CONTACT: **962886 and 965908**

MQS HOUSING 8/12 POL.: **929346 and 929342**

THIS DRAWING IS A CONTROLLED DOCUMENT.		DWN L.Sandhu 17DEC09	 TE Connectivity													
DIMENSIONS: mm		CHK G.Stegmayer 17DEC09														
TOLERANCES UNLESS OTHERWISE SPECIFIED:		APVD G.Stegmayer 17DEC09	NAME EXTRACTION TOOL Entriegelungswerkzeug													
<table border="0"> <tr> <td>0 PLC</td> <td>± -</td> </tr> <tr> <td>1 PLC</td> <td>± -</td> </tr> <tr> <td>2 PLC</td> <td>± -</td> </tr> <tr> <td>3 PLC</td> <td>± -</td> </tr> <tr> <td>4 PLC</td> <td>± -</td> </tr> <tr> <td>ANGLES</td> <td>± -</td> </tr> </table>		0 PLC	± -	1 PLC	± -	2 PLC	± -	3 PLC	± -	4 PLC	± -	ANGLES	± -	PRODUCT SPEC —	SIZE A3	
0 PLC	± -															
1 PLC	± -															
2 PLC	± -															
3 PLC	± -															
4 PLC	± -															
ANGLES	± -															
MATERIAL		APPLICATION SPEC —	CAGE CODE 00779	DRAWING NO 7-1579007-9												
FINISH		WEIGHT	RESTRICTED TO —	SCALE 1:1												
CUSTOMER DRAWING			SHEET 1 OF 1	REV A1												