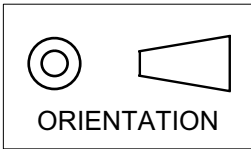
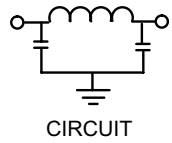
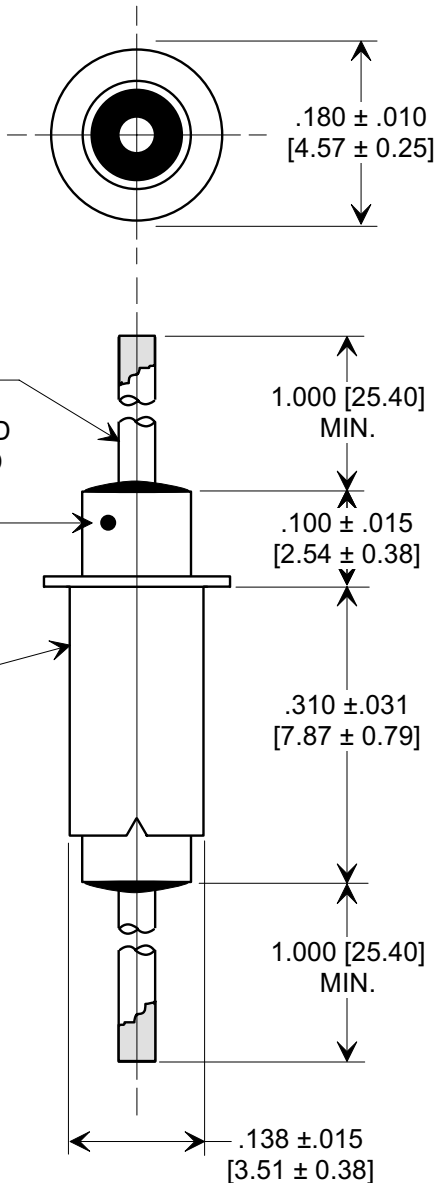


**MARKETING SALES DRAWING**  
**DIMENSIONS IN INCHES - DO NOT SCALE THIS DRAWING**  
**DIMENSIONS IN METRIC - [ ]**

This drawing is the property of Tusonix, Inc., and may not be used, reproduced, published or disclosed to others without expressed authorization by Tusonix Inc.



**Electrical Testing**  
per Tusonix standard  
test plans and Mil-Std-202  
Test Methods.



**NOTES:**

1. TUSONIX STANDARD PART NUMBER: 4102-000. TUSONIX RoHS COMPLIANT PART NUMBER: 4102-000 LF. CUSTOMER MUST SPECIFY STANDARD OR RoHS PART NUMBER WHEN ORDERING.
2. EYELET FINISH: STANDARD PART #: 60/40 SOLDER PLATED. RoHS PART #: SILVER PLATED.
3. PART MARKING: STANDARD PART: NO MARKING. RoHS PART: GREEN DOT.

MIN. CAP. (pF)	WORKING VOLTAGE (WVdc)		CURRENT Idc. (A)	DWV	I.R. MIN. @ 100 (VDC.)	MINIMUM NO LOAD INSERTION LOSS (dB) AT 25°C PER MIL-STD-220			
	85°C	125°C				10 MHz	100 MHz	1 GHz	10 GHz
3000	350	200	10	700 VDC	10 G Ω	8	55	65	65

X-2015 Rev-0	<b>REVISION RECORD</b>	
	Original Release	<b>0</b>
	C.O. 20050614-4-01	
	ADDED NOTES & RoHS DOT. S.M. 09-28-06	
		<b>1</b>
		<b>20060927-2-03</b>

--TOLERANCES-- Unless Otherwise Specified		Title <b>EYELET STYLE EMI FILTER</b>	
DECIMAL ±	ANGLES ±	Drawn S.M. 06-14-05	Scale 5 X
<b>TUSONIX</b> TUCSON, ARIZONA		Approved T.C. 06-14-05	
<b>A</b>		<b>4102-000</b>	

# Mouser Electronics

Authorized Distributor

Click to View Pricing, Inventory, Delivery & Lifecycle Information:

[Tusonix:](#)

[4102-000LF](#)