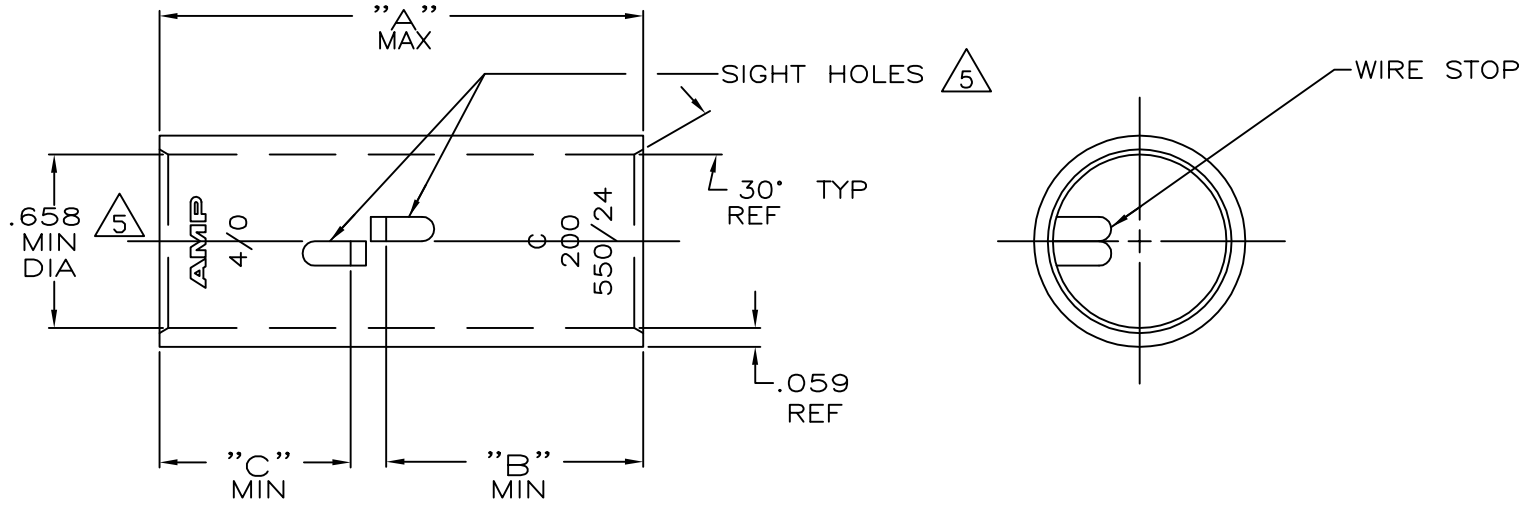


THIS DRAWING IS UNPUBLISHED. RELEASED FOR PUBLICATION  
 © COPYRIGHT - By - ALL RIGHTS RESERVED.

LOC	DIST	REVISIONS					
G	86	P	LTR	DESCRIPTION	DATE	DWN	APVD
		R		ECR-13-000998	09FEB2013	PK	HS



- △1 TIN PL .000150 MIN THK PER ASTM B 545
- △2 PART NO: 324461; .071 LB.  
PART NO: 1-324461-0; .071 LB.  
PART NO: 2-324461-2; .082 LB.  
PART NO: 2-324461-3; .082 LB.
- △3 CLEANED, UNPLATED
- △4 PRELIMINARY - NOT FOR PRODUCTION  
.045 MAX BURR ALLOWED INSIDE THE WIRE BARREL ID IN AREA OF SIGHT HOLE.
- △5

.72	.97	1.89	190,000-	△1	COPPER	2-324461-3
			231,000	△3		ASTM-B-75
.72	.72	1.65	CM	△3	ANNEALED	△4 1-324461-0
				△1		324461
"C"	"B"	"A"	WIRE RANGE	FINISH	MATERIAL	PART No

THIS DRAWING IS A CONTROLLED DOCUMENT.

DWN	DK SCHRUM	4/24/89	<b>TE</b> TE Connectivity
CHK	MS FEHER	4/24/89	
APVD	WJ VOCKROTH	11/8/89	NAME SPLICE, BUTT, AMPPOWER WIRE SIZE: 4/0 AWG
PRODUCT SPEC			
APPLICATION SPEC			SIZE CAGE CODE DRAWING NO RESTRICTED TO A3 00779 C=324461 -
WEIGHT			
MATERIAL	SEE TABLE	FINISH	SEE TABLE
CUSTOMER DRAWING			SCALE 2:1 SHEET 1 OF 1 REV R

# Mouser Electronics

Authorized Distributor

Click to View Pricing, Inventory, Delivery & Lifecycle Information:

[TE Connectivity:](#)

[2-324461-3](#)