

This document is the property of Amphenol Corporation and is delivered on the express condition that is not to be disclosed, reproduced or used, in whole or in part, for manufacture or sale by anyone other than Amphenol Corporation without its prior consent, and that no right is granted to disclose or to use any information in this document.

The marking on this product doesn't contain environmental hazardous materials per Material Specification 55-00259 for Sony GP compliant or per directive 2011/65/EU for RoHS compliant or per IEC 61249-2-21 for Halogen-Free compliant.



ORIGINAL



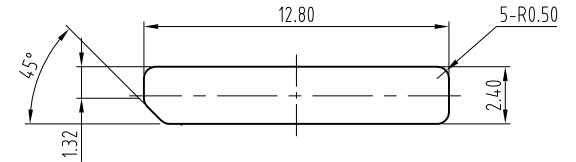
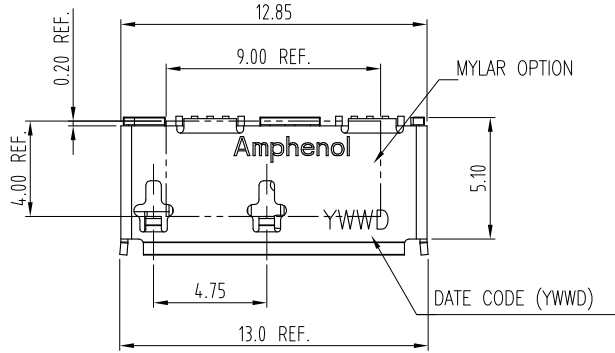
PART NUMBER:
GSB3 43K 3 3 X X HR

CONTACT FINISH
3: 30u" GOLD

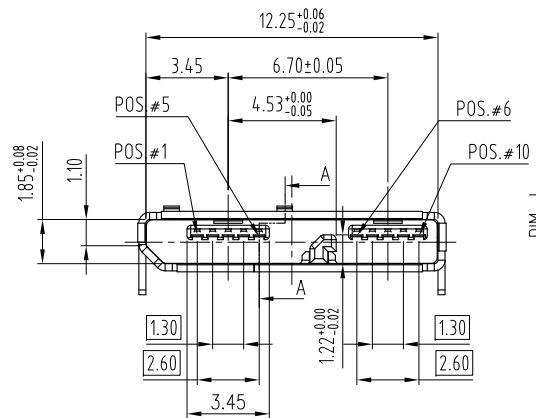
VARIATION CODE
BLANK: STANDARD T&R PACKING
A: W/ MYLAR, T&R PACKING

SHELL TAIL LENGTH
BLANK: DIP L=1.0mm
1: DIP L=1.4mm

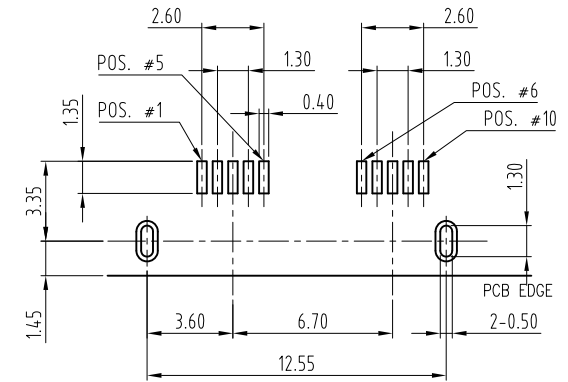
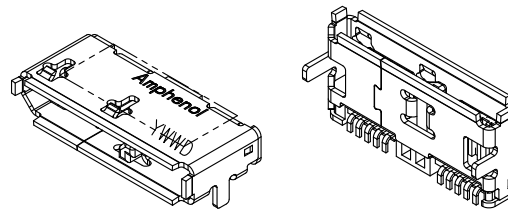
REVISIONS				
SYM	ECN No.	DESCRIPTION	DATE	APPROVED
A		RELEASE TO PRODUCTION	2010.06.09	Sondra Sang
B	NE-10151	MODIFIED PCB LAYOUT	2010.09.17	Sondra Sang
C	NE-14075	ADDED SHELL TAIL OPTIONS	2014.04.30	Sondra Sang
D	NE-16116	ADDED PANEL CUT OUT	2016.05.13	Sondra Sang
E	NE-17312	ADDED DATE CODE	2017.12.13	Sondra Sang



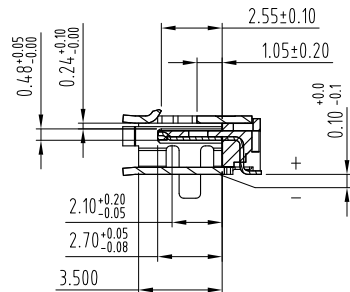
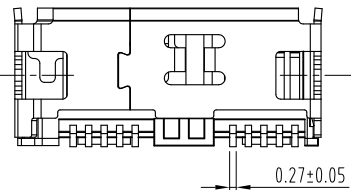
RECOMMENDED PANEL CUT OUT
(GENERAL TOLERANCE: ±0.20)



DATE CODE
Y W W D
1-7: DATE NO.
12: WEEK NO.
6: 2016



RECOMMENDED PCB LAYOUT- TOP VIEW
(GENERAL TOLERANCE: ±0.05)



SECTION A-A

NOTES:

- HOUSING: HIGH TEMP. THERMOPLASTIC, UL 94V-0, COLOR- BLACK
- CONTACT: COPPER ALLOY, 30u" MIN. GOLD PLATED ON CONTACT AREA, GOLD FLASH PLATED ON SOLDERING TAIL, 80u" MIN. NICKEL UNDER-PLATED OVERALL
- METAL SHELL: STAINLESS STEEL, GOLD FLASH PLATED ON THE SOLDERING TABS
- MYLAR: 4.0 x 9.0 mm
- PACKAGE DRAWING REFER TO PKS-GSB343P101HR
- THIS PRODUCT DOESN'T CONTAIN ENVIRONMENTAL HAZARDOUS MATERIALS PER DIRECTIVE 2011/65/EC FOR RoHS AND PER IEC 61249-2-21 FOR HALOGEN FREE COMPLIANT.

GSB 343 K33 1(X)HR	1.40
GSB 343 K33 (X)HR	1.00
PART NUMBER	DIM. L

TOLERANCE	DRAWN	APPROVALS	DATE	TITLE	UNIT	SIZE	SCALE	SHEET
X. X.X X.XX X.XXX	±0.30 ±0.20 ±0.10	DESIGNED Sondra Sang	12/13/2017	USB 3.0 CONNECTOR MICRO_B, RECEPTACLE R/A SHELL DIP TYPE	m	A3	NA	1 OF 1
ANGULAR	±2°	CHECKED Chenny Yeh	12/13/2017					
UNLESS OTHERWISE SPECIFIED		APPROVED Hank Hsu	12/13/2017					
	DWG TYPE	CUST DWG	PROJECT CODE	T503				

Amphenol®	
Amphenol Corporation Amphenol Taiwan Corporation	
PART No.	GSB3 43K 33X (X)HR
DWG No.	GSB343K33XHR
REV.	E