

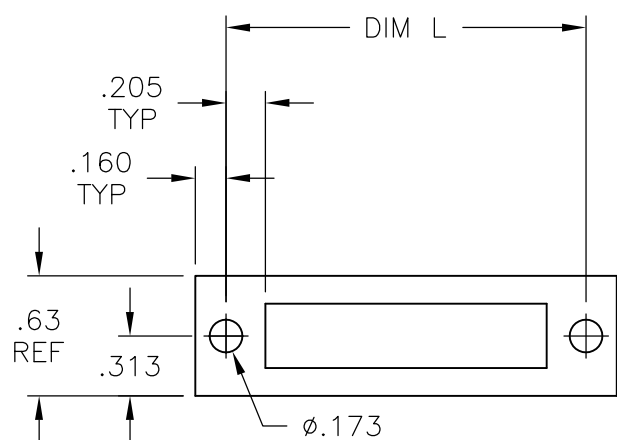
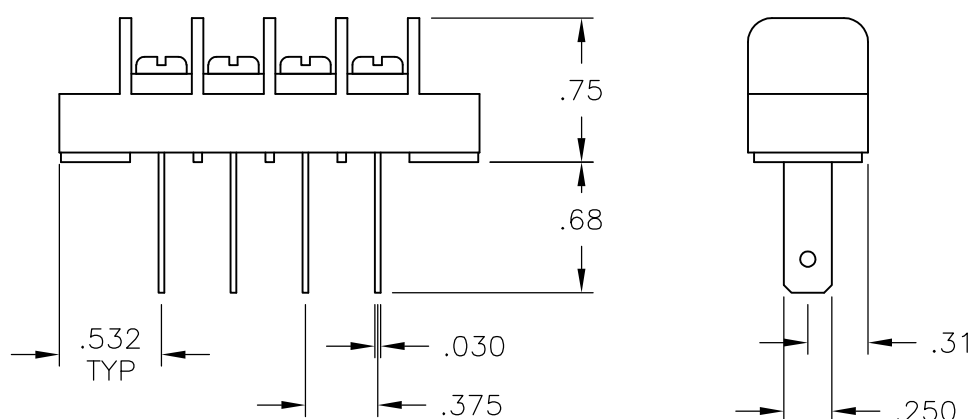
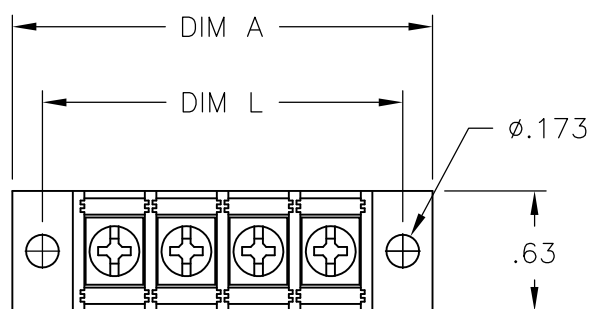
THIS DRAWING IS UNPUBLISHED. RELEASED FOR PUBLICATION
 © COPYRIGHT BY TYCO ELECTRONICS CORPORATION. ALL RIGHTS RESERVED.

LOC	DIST	REVISIONS					
FT	0	P	LTR	DESCRIPTION	DATE	DWN	APVD
			B	REVISED PER ECO-10-013614	13OCT10	HMR	CR

MATERIAL:
 HOUSING: THERMOPLASTIC, UL94V-0, BLACK.
 TERMINALS: BRIGHT TIN OVER COPPER ALLOY.
 SCREWS: 6-32, STEEL, ZINC PLATING W/ CLEAR CHROMATE.

MECHANICAL:
 PITCH: .375"
 OPERATING TEMP.: 105°C MAX

ELECTRICAL:
 RATED CURRENT: 20A.
 OPERATING VOLTAGE: 300V.
 WIRE RANGE: 12-22 AWG.



RECOMMENDED PANEL LAYOUT

9.000	9.314	23	JC6-Q207-23	2-1546841-3
8.625	8.939	22	JC6-Q207-22	2-1546841-2
8.250	8.564	21	JC6-Q207-21	2-1546841-1
7.875	8.189	20	JC6-Q207-20	2-1546841-0
7.500	7.814	19	JC6-Q207-19	1-1546841-9
7.125	7.439	18	JC6-Q207-18	1-1546841-8
6.750	7.064	17	JC6-Q207-17	1-1546841-7
6.375	6.689	16	JC6-Q207-16	1-1546841-6
6.000	6.314	15	JC6-Q207-15	1-1546841-5
5.625	5.939	14	JC6-Q207-14	1-1546841-4
5.250	5.564	13	JC6-Q207-13	1-1546841-3
4.875	5.189	12	JC6-Q207-12	4-1437665-9
4.500	4.814	11	JC6-Q207-11	1-1546841-1
4.125	4.439	10	JC6-Q207-10	1-1546841-0
3.750	4.064	9	JC6-Q207-09	1546841-9
3.375	3.689	8	JC6-Q207-08	1546841-8
3.000	3.314	7	JC6-Q207-07	1546841-7
2.625	2.939	6	JC6-Q207-06	1546841-6
2.250	2.564	5	JC6-Q207-05	1546841-5
1.875	2.189	4	JC6-Q207-04	4-1437665-8
1.500	1.814	3	JC6-Q207-03	4-1437665-7
1.125	1.439	2	JC6-Q207-02	1546841-2
DIM L	DIM A	NO OF POS	CATALOG NUMBER	TE NUMBER

THIS DRAWING IS A CONTROLLED DOCUMENT.		DWN S SCHLEGEL 10/23/06	Tyco Electronics Corporation Harrisburg, PA 17105-3608	
DIMENSIONS: INCHES		CHK S. YODER 10/23/06		
TOLERANCES UNLESS OTHERWISE SPECIFIED:		APVD S. YODER 10/23/06	NAME	
0 PLC ± - 1 PLC ± - 2 PLC ± .01 3 PLC ± .005 4 PLC ± - ANGLES ± -		PRODUCT SPEC		
MATERIAL		APPLICATION SPEC		
FINISH		SIZE CAGE CODE DRAWING NO		RESTRICTED TO
-		A3 00779 C-4-1437665-7		-
-		CUSTOMER DRAWING		SCALE NTS SHEET 1 OF 1 REV B

Mouser Electronics

Authorized Distributor

Click to View Pricing, Inventory, Delivery & Lifecycle Information:

[TE Connectivity:](#)

[JC6-Q207-12](#)