

FCI CONFIDENTIAL



This document is the property of and embodies CONFIDENTIAL and PROPRIETARY information of FCI. No part of the information shown on this document may be used in any way or disclosed to others without the written consent of FCI. Copyright FCI.

PLATING ACTIVE ZONE

CHARACTERISTICS

500 mating/unmating Ni: 2µm 0/+2µm Au: 1.27µm min	500 mating/unmating Cu flash Ni P : 2µm 0/+2µm Au: 0.2µm min (equivalent 0.8µm Au)	200 mating/unmating Cu flash Ni P : 2µm 0/+2µm Au: 0.15µm min (equivalent 0.4 µm Au)	CURRENT max A	AWG WIRE	mm ² AREA	∅A +0 -0.05	∅B+0 -0.05	Clip colour
8638PPC4007LF	8638PPC4006LF	8638PPC4005LF	40	8-10	5-8	4.70	5.50	BLUE
8638PPC3007LF	8638PPC3006LF	8638PPC3005LF	30	9	6	3.75	4.75	WHITE
8638PPC2007LF	8638PPC2006LF	8638PPC2005LF	20	12-14	2-3	2.80	3.70	RED
8638PPC1007LF	8638PPC1006LF	8638PPC1005LF	10	16-18	0.9-1.3	1.80	2.55	BLACK

NOTE: RoHS INFORMATIONS

- The "LF" products meet European union Directives and regulations as described in GS-22-008
- Termination plating spec: Sn pure matte
- Packaging spec: see GS-14-920

Materials and finish

Active zone: CuZn40 Pb3. Plating see table
 Termination zone (crimping sleeve): CuZn40Pb3
 Plating 2µm 0/+2µm Cu - 3µm 0/+3µm Tin pure matte
 Clip : Thermoset plastic

Technical characteristics

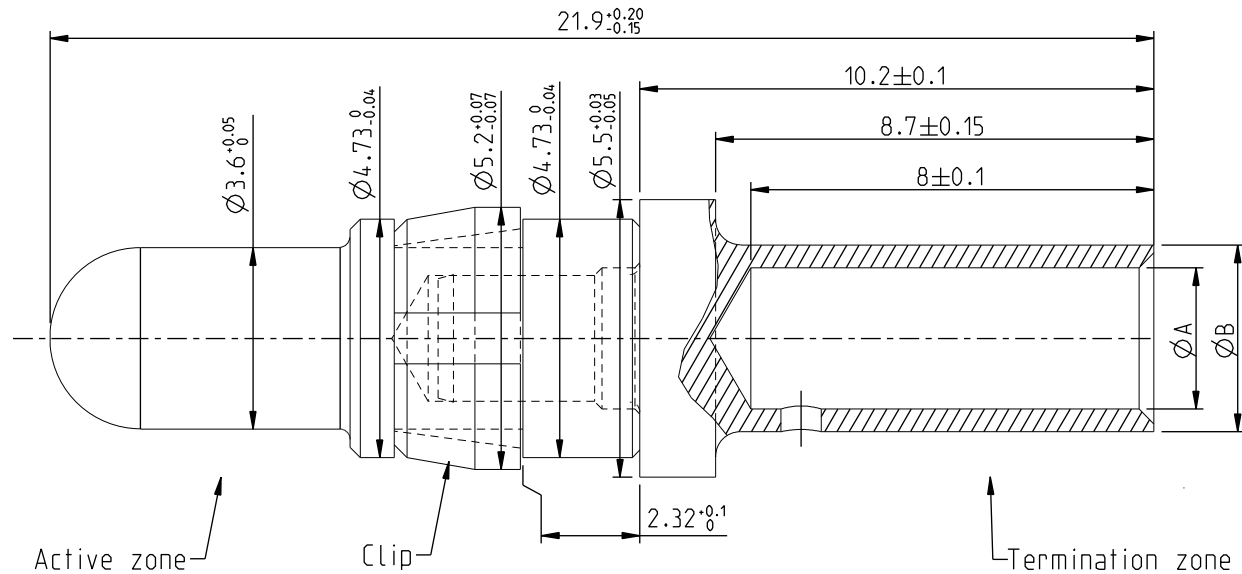
Peak voltage: 750 Veff.
 Operating voltage: 500 Veff.
 Temperature range -55 °C +125 °C
 Packaged per 100
 Current capability : see table

Mechanical characteristics :

Crimping test: according to MILC39029
 Mechanical endurance: 200 or 500 matings/unmatings (see table).
 Contact insertion force in insulator:
 60N maxi in a hole of 4.80 mm

Examination of product:

Remove all burrs and sharp edges 0.08 maxi
 No scratch allowed



Mark with		Material SEE TABLE		Spec ref	
/		Mat code		surface -	tolerance
		Heatreat -		ISO 1302	405
		Plating/Finish SEE TABLE		1101	projection
Or	JARRY	2002/02/28	Product family		size
Eng	PESSON	2002/02/28	D-sub		A3
Chr	LEGARE	2002/02/28	Model Name		8638PPC200XLF
Appr	LEGARE	2002/02/28	Model Revision		1
REV		ecn no	dr	date	Scale
N		F10-0076	LSA	2010/07/22	10:1
H		LS06-0097	LGO	2006/07/27	
J		LS06-0029	MPE	2008/01/28	
K		F09-0054	LSA	2009/06/10	
L		F10-0031	GPE	2010/04/12	
M		F10-0065	LSA	2010-06-25	
Title		MALE CONTACT		dwg no	
FOR CRIMPED CONNECTION				C01-8638-0325	
Pro/E file		catalog no		Customer	
				sheet 1 of 1	
REL Level		CONCEPT		Rev.	
				N	

REV C - 2010-03-28

Mouser Electronics

Authorized Distributor

Click to View Pricing, Inventory, Delivery & Lifecycle Information:

[FCI / Amphenol:](#)

[8638PPC4006LF](#) [8638PPC1005LF](#) [8638PPC1006LF](#) [8638PPC2005LF](#) [8638PPC3005LF](#) [8638PPC4005LF](#)
[8638PPC2006LF](#) [8638PPC3006LF](#)