

4

3

2

1

THIS DRAWING IS UNPUBLISHED.

RELEASED FOR PUBLICATION

2008

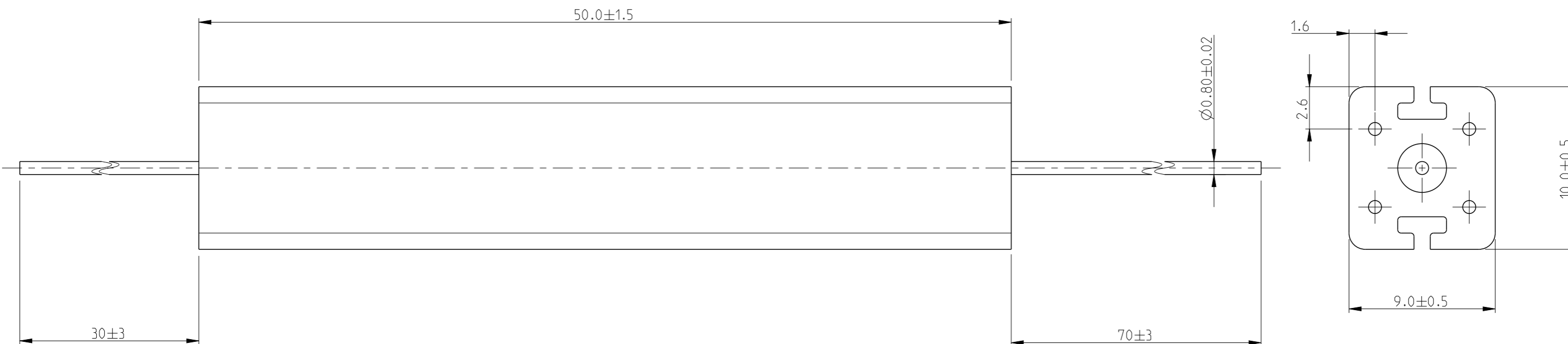
© COPYRIGHT 2008 BY -

ALL RIGHTS RESERVED.

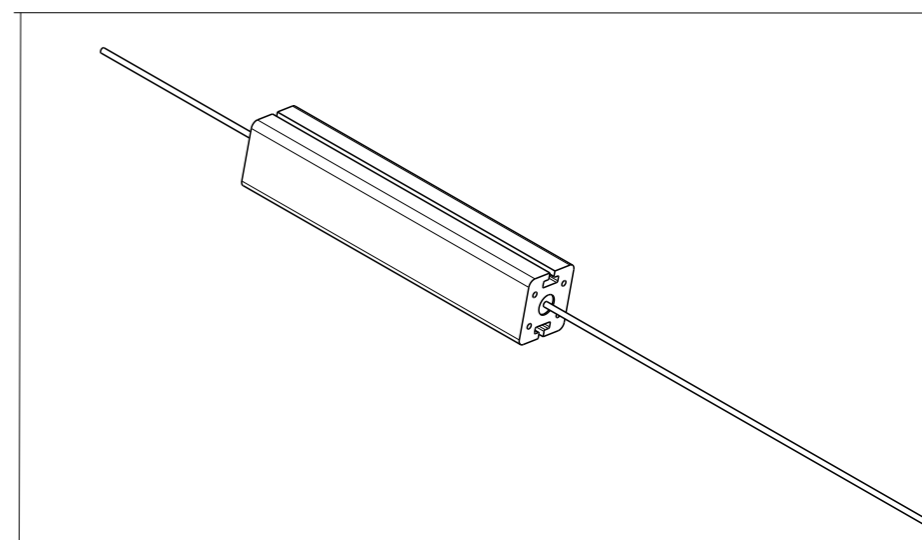
REVISIONS

P	LTR	DESCRIPTION	DATE	DWN	APVD
	BA1	ECR-17-011125	01AUG2017	RK	TN

FOR FURTHER INFORMATION SEE DATA SHEET FOR SERIES TYPE SBC(SQUARE CERAMIC), HIGH POWER RESISTORS



RoHS Compliant



THIS DRAWING IS A CONTROLLED DOCUMENT.

DIMENSIONS:		TOLERANCES UNLESS OTHERWISE SPECIFIED:	
mm			
	0 PLC	± 0.2	
	1 PLC	± 0.1	
	2 PLC	\pm	
	3 PLC	\pm	
	4 PLC	\pm	
ANGLES		$\pm 5^\circ$	
MATERIAL		FINISH	
-		-	
-		-	

DWN	28 JULY 2010
CHK	28 JULY 2010
APVD	28 JULY 2010
NAME	STEPHEN.P
PRODUCT SPEC	STEPHEN.P
APPLICATION SPEC	-
WEIGHT	10g
CUSTOMER DRAWING	

		TE Connectivity	
		NAME	
HIGH POWER RESISTOR TYPE SBC (SQUARE CERAMIC) SERIES SBCHE11			
SIZE	CAGE CODE	DRAWING NO	RESTRICTED TO
A3	00779	C-1623728	-
SCALE		SHEET	REV
4:1		1 OF 1	BA1

Mouser Electronics

Authorized Distributor

Click to View Pricing, Inventory, Delivery & Lifecycle Information:

[TE Connectivity:](#)

[2-1623728-4](#)