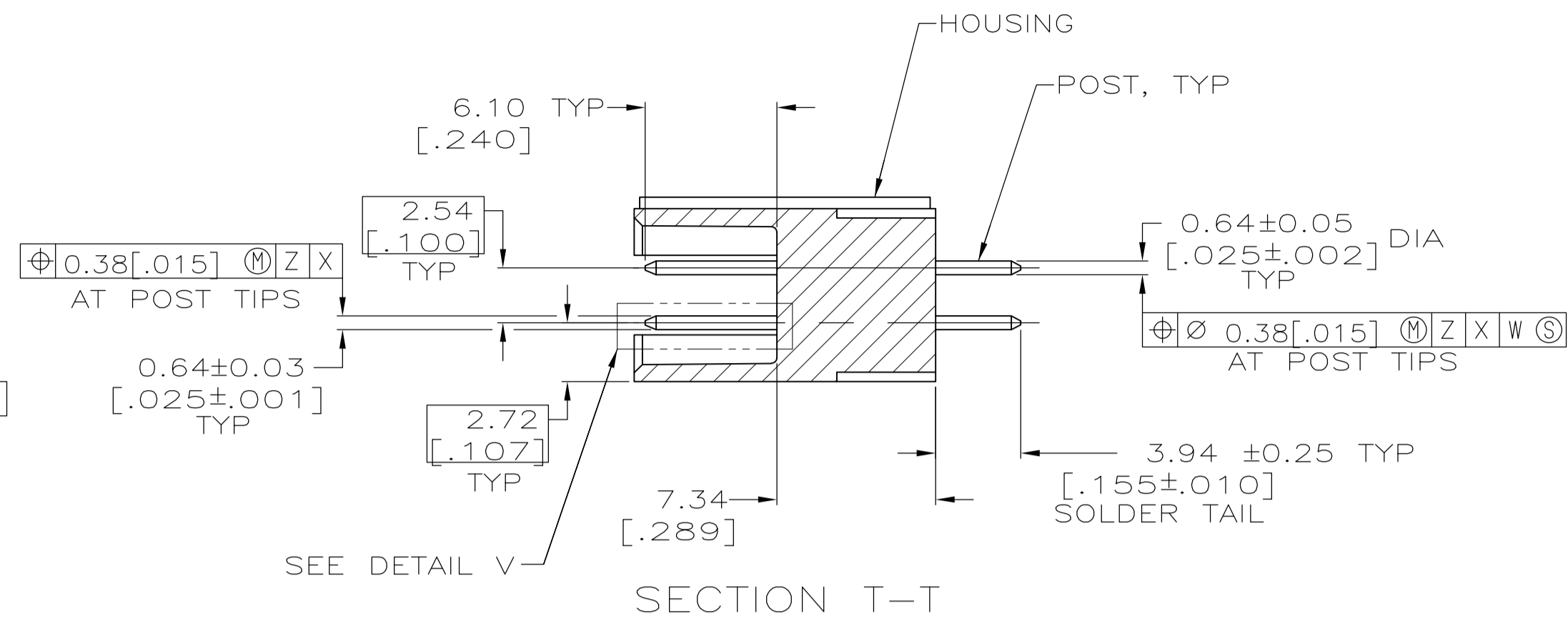
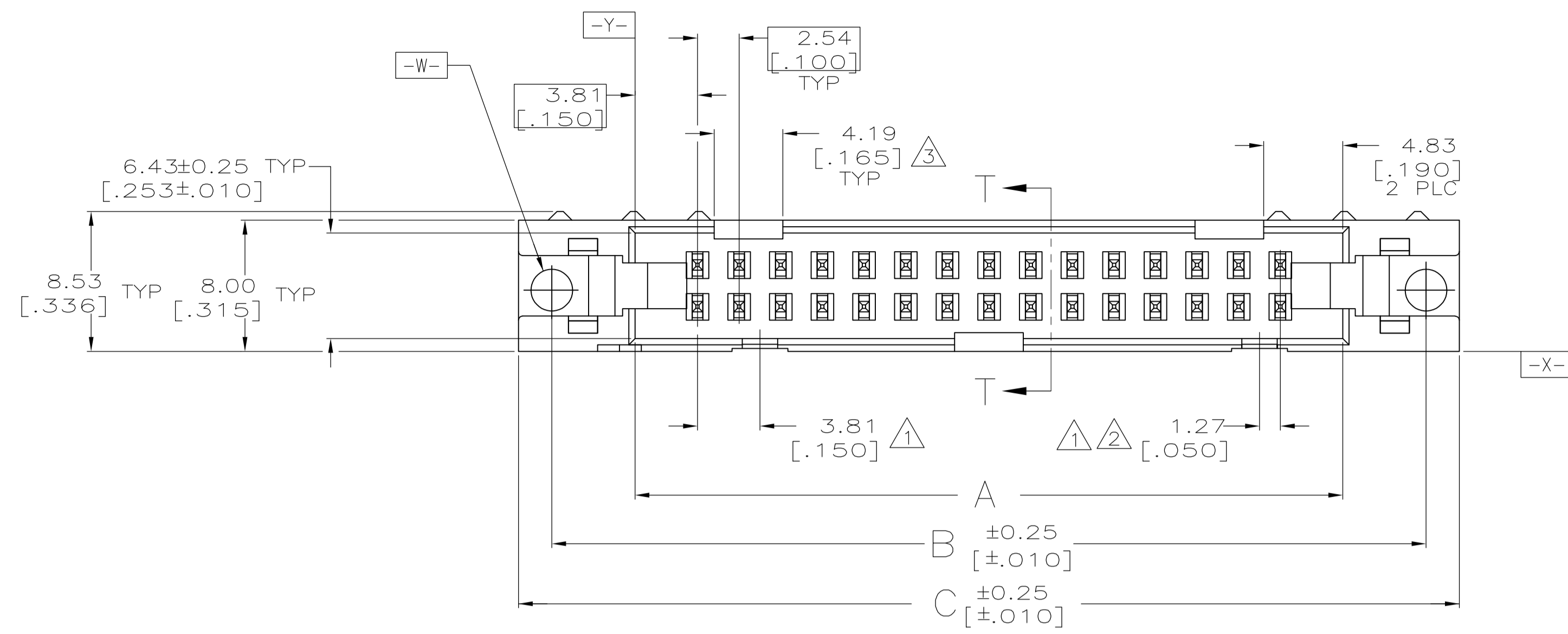
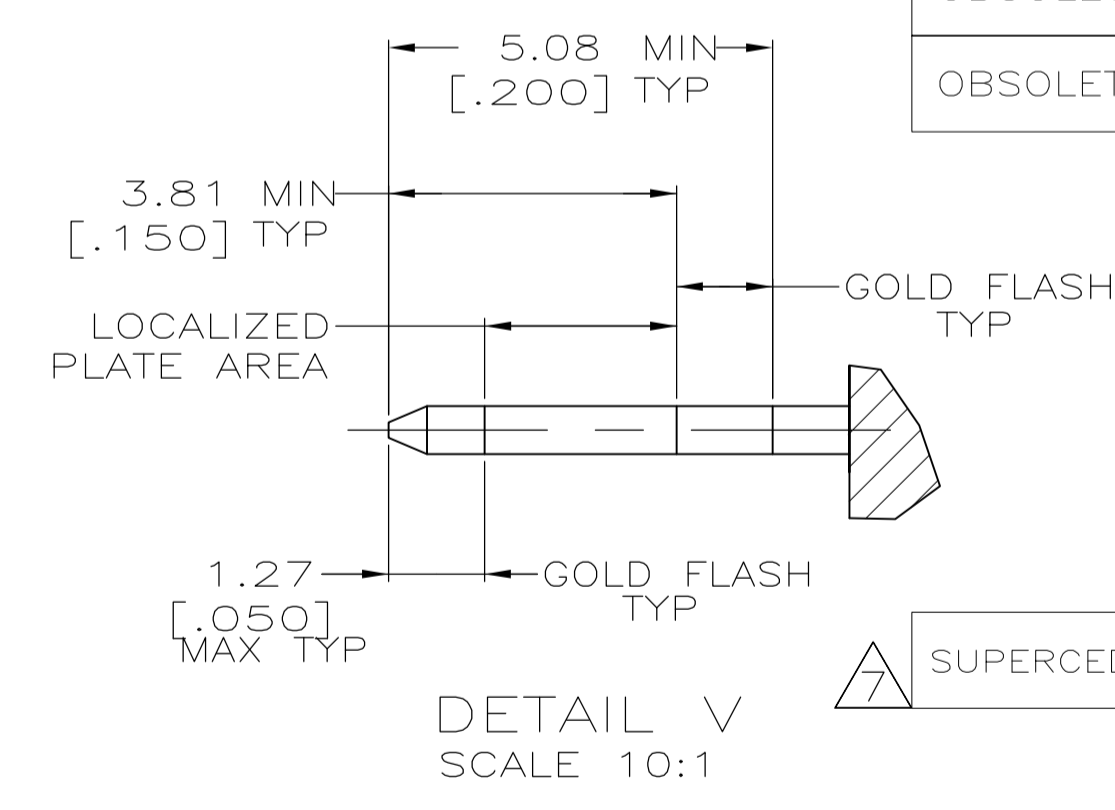
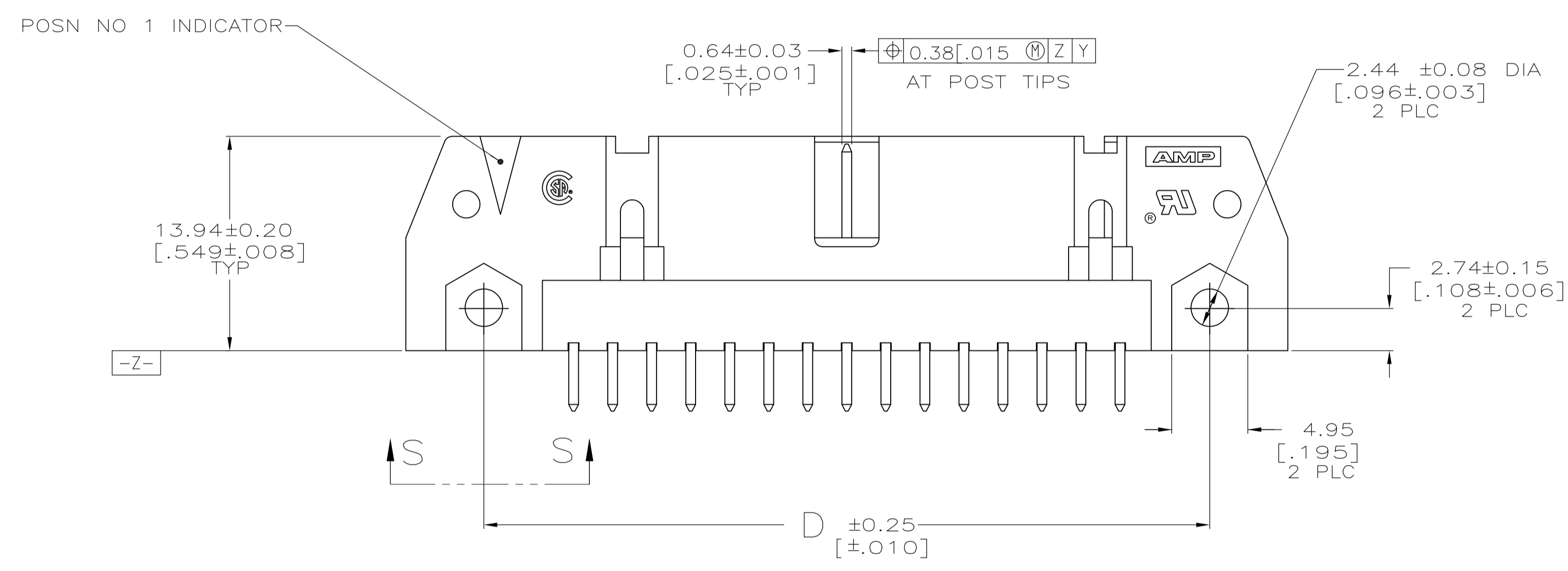


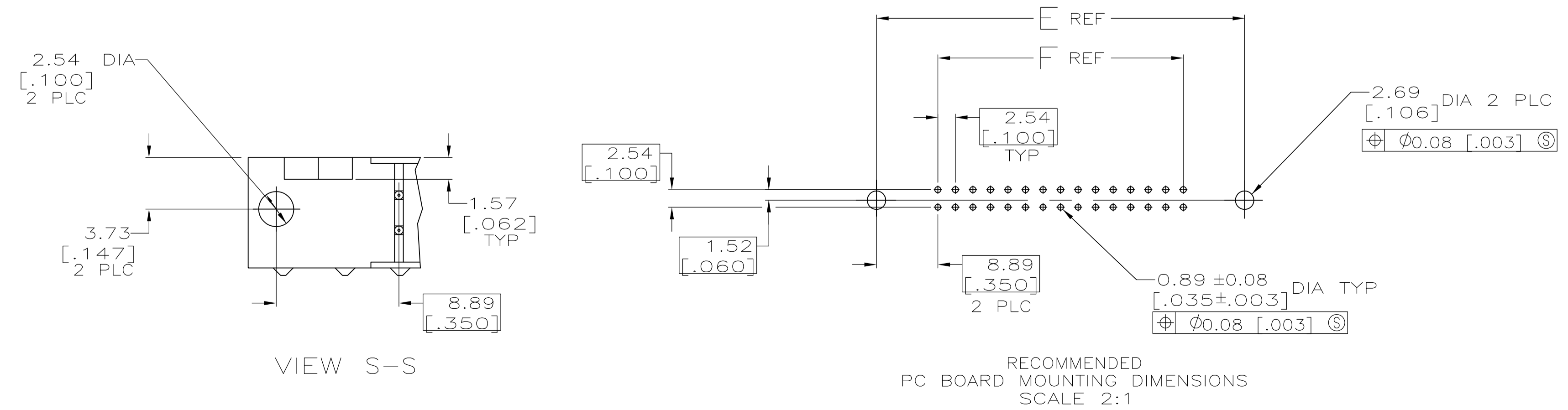
LOC		DIST		REVISIONS			
GP	00	REV	DATE	BY	CHK	APPV	
M		REVISED PER ECO-08-004045	26MAR08	JDP	SLB		
M1		REVISED PER ECO-09-020932	08SEP09	KK	AEG		



- △ COORDINATE DIMENSION APPLIES FROM BASIC LOCATION.
- △ 8, 10 AND 14 POSITION SIZES CONTAIN ONLY ONE SLOT FOR SNAP-IN POLARIZER (MILITARY POLARIZATION) LOCATED AS SHOWN.
- △ 8 AND 10 POSITION SIZES CONTAIN ONLY ONE SLOT FOR DUAL POLARIZATION, LOCATED AS SHOWN.
- 4. RECOMMENDED PRINTED CIRCUIT BOARD THICKNESS IS 3.18 [.125].
- △ MATERIAL:  
HOUSING: GLASS FILLED NYLON OR POLYESTER, 94V-0 RATED; BLACK.  
POSTS: PH. BRONZE OR BRASS.
- △ POSTS: GOLD FLASH OVER PALLADIUM-NICKEL PLATE, 0.76μm[.000030] MIN TOTAL ON THE LOCALIZED PLATE AREA, 2.54μm[.000100] MIN TIN-LEAD PLATE ON THE SOLDER-TAILS, 1.27μm[.000050] MIN NICKEL UNDERPLATE ON THE ENTIRE POST.  
-OR-  
0.76μm[.000030] MIN GOLD PLATE ON THE LOCALIZED PLATE AREA, 2.54μm[.000100] MIN TIN-LEAD PLATE ON THE SOLDER-TAILS, 1.27μm[.000050] MIN NICKEL UNDERPLATE ON THE ENTIRE POST.



OBSELETE	7.62	25.40	19.30	29.46	25.40	15.24	8	1-102156-4
OBSELETE	53.34	71.12	65.02	75.18	71.12	60.96	44	1-102156-3
	78.74	96.52	90.42	100.58	96.52	86.36	64	1-102156-2
	73.66	91.44	85.34	95.50	91.44	81.28	60	1-102156-1
	60.96	78.74	72.64	82.80	78.74	68.58	50	1-102156-0
	48.26	66.04	59.94	70.10	66.04	55.88	40	102156-9
	40.64	58.42	52.32	62.48	58.42	48.26	34	102156-8
△ SUPERCEDED	35.56	53.34	47.24	57.40	53.34	43.18	30	102156-7
	30.48	48.26	42.16	52.32	48.26	38.10	26	102156-6
	27.94	45.72	39.62	49.78	45.72	35.56	24	102156-5
	22.86	40.64	34.54	44.70	40.64	30.48	20	102156-4
	17.78	35.56	29.46	39.62	35.56	25.40	16	102156-3
	15.24	33.02	26.92	37.08	33.02	22.86	14	102156-2
	10.16	27.94	21.84	32.00	27.94	17.78	10	102156-1
	F	E	D	C	B	A	NO OF POSN	PART NUMBER



THIS DRAWING IS A CONTROLLED DOCUMENT. DIM H.MOLL 4-23-90 Tyco Electronics Corporation Harrisburg, PA 17105-3608

DIMENSIONS: mm [INCHES] TOLERANCES UNLESS OTHERWISE SPECIFIED:

0 PLC	±	-
1 PLC	±	-
2 PLC	±	0.13[.005]
3 PLC	±	-
4 PLC	±	-
ANGLES	±	-

PRODUCT SPEC: 108-40018  
 APPLICATION SPEC: -  
 MATERIAL: △5 FINISH: △6

WEIGHT: - SIZE: A1 CASE CODE: 00779 DRAWING NO: 102156 RESTRICTED TO: -  
 CUSTOMER DRAWING SCALE: 4:1 SHEET: 1 OF 1 REV: M1

# Mouser Electronics

Authorized Distributor

Click to View Pricing, Inventory, Delivery & Lifecycle Information:

[TE Connectivity:](#)

[102156-4](#)